

PREMIUM GAS FIREPLACE INSERTS



NEVER BE COLD AGAIN!



NORTH AMERICA'S FAVORITE GAS FIREPLACE INSERTS!

Lopi® proudly produces our high-quality line of gas fireplace inserts that complement a broad range of architectural styles and heating needs at our manufacturing plant in Mukilteo, Washington. We utilize the finest materials, and subject them to vigorous testing standards to make fireplace inserts that stand up to the rigors of time. These inserts are the best money can buy. We are proud to be passionate about the science and the art of making beautiful fire for your home.

TURN YOUR FIREPLACE INTO AN EFFICIENT HEAT SOURCE

Our GreenSmart® fireplace inserts are designed to transform virtually any metal or masonry fireplace into an efficient source of heat. Traditional open fireplaces can have efficiency ratings as low as 15% and depending on the condition can actually draw the heat out of your home for a net heat loss! Our heater rated gas inserts achieve steady state efficiency ratings over 90% (LP).

ZONE HEATING

Unlike a gas furnace that ducts heat to all rooms of your home, you can use your insert for zone heating and heat only the room(s) you are using.

Zone heating is all about focusing heat where people spend the most time. By turning down the thermostat on your furnace and using your gas insert as a heat source, it's easy to save money on your home heating bill.

SEALED COMBUSTION SYSTEM

Our gas inserts are all "direct vent," meaning that they pull combustion air from the outside of the house and not your living space. For indoor air quality, safety and performance, both combustion air and exhaust gases pass through your existing chimney via a direct vent kit.

CHOOSE THE RIGHT MODEL FOR YOU

You have four gas insert models to choose from, depending on your heating needs, fireplace size and taste. There are two insert options for heating up to 1,500 square feet and two options for heating up to 2,000 square feet.

Consult with your authorized Lopi® dealer to verify which insert best suits your home heating needs. Our dealers are trained, qualified professionals that can provide expert installation and service on your new gas insert.

WARRANTY

Your gas fireplace insert is backed by your Specialty Hearth Dealer and certified factory trained installer. Lopi® warrants our products to be free from defects in material and workmanship for a period of 7 years from the date of purchase. All parts, electronics, and labor are covered for a full 2 years. No other manufacturer's warranty can compare.





*34 DVL shown with Wilmington
Black Painted Face, High
Definition Ember-Fyre® Log Set
and Herringbone Brick Fireback*



32 DVS shown with Black Painted Times Square™ Face, Fyre-Stone® Rock Kit and Black Glass Fireback

FEATURING
EMBER-FYRE®
TECHNOLOGY
The most
realistic gas fire



available - so real, that Popular Science® magazine awarded the Ember-Fyre® burner one of its top 100 innovations of the year!

32 DVS INSERT

Deluxe - 1,500 Square Foot Heater

The compact dimensions of the 32 DVS make this our "go-to" insert when it comes to fitting in almost any fireplace. This insert is an efficient way to heat mid-sized homes and living spaces up to 1,500 square feet. The 32 DVS features a ceramic glass viewing area and our award-winning Ember-Fyre® Burner with a high definition detailed log set.

This Deluxe model features our most popular options, namely, adjustable rear Accent Lights, a 180 CFM convection fan and the GreenSmart® Remote Control. Learn more about our exciting GreenSmart® features on page 16.

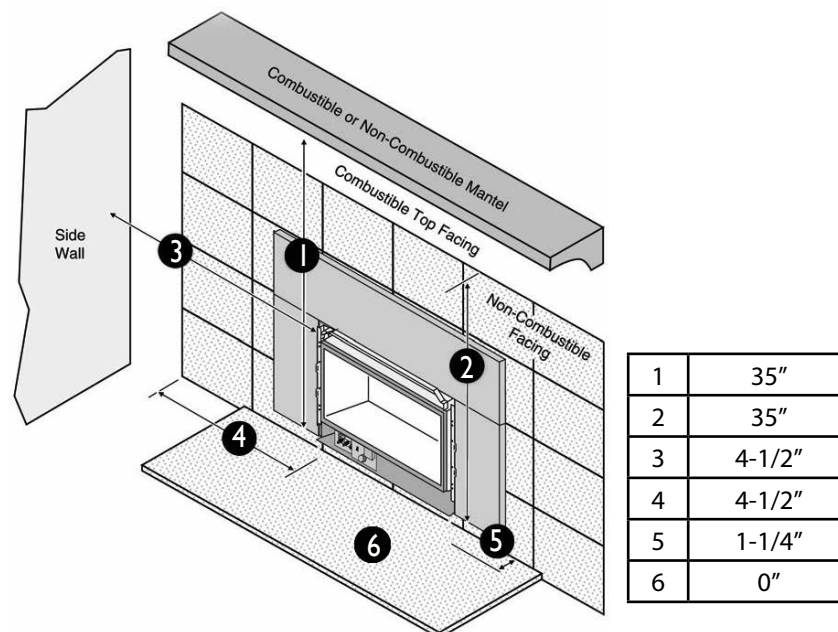
Options *(See Pages 12 & 13)*

- Seven face designs to choose from
- Choose between Ember-Fyre®, Traditional or Driftwood log sets or Fyre-Stone™ Rock Kit
- Four fireback choices
- Six Finish Panels to choose from (Custom Panels are also available)
- Insert Wiring Kit

Specifications

| | |
|--------------------------|--|
| Heating Capacity: | 500 to 1,500 Square Feet |
| Maximum BTU/HR Input: | 31,000 (NG/LP) |
| Minimum BTU/HR Input: | 10,700 (NG) 12,600 (LP) |
| Steady State Efficiency: | Up To 88.77% (NG), 90.13% (LP) |
| P4 Canadian Efficiency: | 76.17% (NG), 78.05% (LP) |
| Dimensions: | 19-1/2" H, 26-1/2" W (Front), 18" W (Back), 15-1/8"D |
| Glass Area: | 25-3/8" W x 13-7/8" H |

Clearances To Combustibles & Hearth Protection



Scan this QR Code to watch a video of the 32 DVS fire burning.



*430 shown with Wilmington
Carbon Patina Face,
Driftwood Fire Art and
Black Painted Fireback*

430 CLEAN FACE INSERT

Deluxe- 1,500 Square Foot Heater with Large Viewing Area

The 430 is a beautiful insert that is ideal for providing supplemental heat to homes or living spaces up to 1,500 square feet. Featuring 430 square inches of ceramic glass, this model has a larger fireviewing area than the DVS. The ceramic glass extends down to the hearth to offer a "clean face" look that resembles a traditional masonry fireplace.

This Deluxe model features the GreenSmart® Remote Control, top and rear Accent Lights, and a 180 CFM convection fan. See page 10 for more information on our exciting GreenSmart® features.

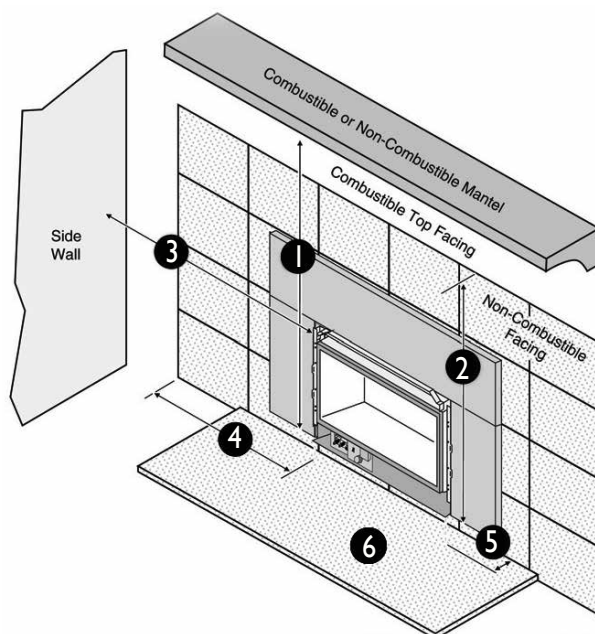
Options *(See pages 14-15)*

- Six face designs to choose from
- Choose between Traditional or Driftwood log sets
- Four fireback choices (REQUIRED)
- Two sizes of finish panels to choose from (Custom Panels are also available)
- Insert Wiring Kit

Specifications

| | |
|---------------------------------|---|
| Heating Capacity: | 500 to 1,500 Square Feet |
| Maximum BTU/HR Input: | 31,000 (NG/LP) |
| Minimum BTU/HR Input: | 11,241 (NG), 7,702 (LP) |
| Steady State Efficiency (High): | Up To 83.63% (NG), 85.76% (LP) |
| P4 Canadian Efficiency: | 70.11% (NG), 71.27% (LP) |
| Dimensions: | 20-1/4" H, 30-1/2" W (Front), 21" W (Back), 15-1/2" D |
| Glass Area: | 24-3/8" W x 17-58" H |

Clearances To Combustibles & Hearth Protection



| | |
|---|---|
| 1 | 34-1/2" = 12" Mantle Depth 33-1/2" = 4" Mantle Depth |
| 2 | 32-3/8" |
| 3 | 5" |
| 4 | 3-3/8" |
| 5 | 0" |
| 6 | 1-3/4" |



Scan this QR Code to watch a video of the 430 fire burning.



34 DVL shown with Stainless Steel Profile™ Face, Ember-Fyre® Log Set and Hand-Made Brick Fireback

FEATURING
EMBER-FYRE®
TECHNOLOGY

The most
realistic gas fire

available - so real, that Popular Science® magazine awarded the Ember-Fyre® burner one of its top 100 innovations of the year!



34 DVL INSERT

Deluxe 2,000 Square Foot Heater

The 34 DVL is our most popular gas insert and can heat up to 2,000 square feet. This model has a generous ceramic glass viewing area while featuring our award-winning Ember-Fyre® Burner and high definition detailed log set.

The 34 DVL is a **Deluxe** model that features the GreenSmart® Remote Control, adjustable rear and top Accent Lights, and a 180 CFM convection fan. Learn more about our exciting GreenSmart® features on page 16.

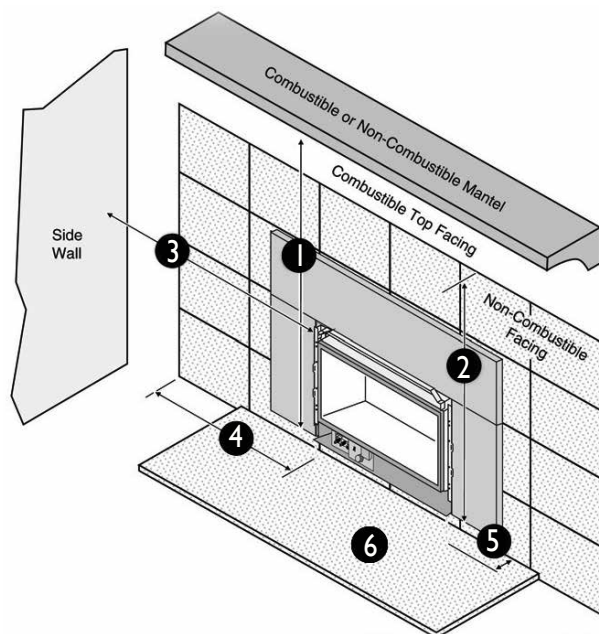
Options *(See Pages 12-13)*

- Seven face designs to choose from
- Choose between Ember-Fyre®, Traditional or Driftwood log sets or Fyre-Stone™ Rock Kit
- Four fireback choices
- Six Finish Panels to choose from (Custom Panels are also available)
- Insert Wiring Kit

Specifications

| | |
|---------------------------------|--|
| Heating Capacity: | 600 to 2,000 Square Feet |
| Maximum BTU/HR Input: | 40,000 (NG/LP) |
| Minimum BTU/HR Input: | 11,900 (NG) 7,400 (LP) |
| Steady State Efficiency (High): | Up To 86.95% (NG), 88.39% (LP) |
| P4 Canadian Efficiency: | 75.21% (NG), 76.01% (LP) |
| Dimensions: | 23-3/4" H, 31-1/2" W (Front), 20" W (Back), 14-1/2"D |
| Glass Area: | 29" W x 18" H |

Clearances To Combustibles & Hearth Protection



| | |
|---|---------|
| 1 | 35-1/2" |
| 2 | 35-1/2" |
| 3 | 4" |
| 4 | 4" |
| 5 | 1-1/4" |
| 6 | 0" |



Scan this QR Code to watch a video of the 34 DVL fire burning.



*616 shown with
Black Painted Profile Face,
Traditional Log Set and
Herringbone Brick Fireback*

616 CLEAN FACE INSERT

Deluxe 2,000 Square Foot Heater with Large Viewing Area

616 WITH TRADITIONAL LOG SET, DRIFTWOOD FIRE ART OR FYRE-STONE™ ROCK KIT

The 616 is an excellent heater and beautiful focal point for larger homes and grand spaces up to 2,000 square feet. This insert features our biggest fireview, with 616 square inches of ceramic glass that extends down to the hearth. This creates a “clean face” look with minimal metal facing and a larger fireview than other inserts its size. This is the major difference between the DVL and 616 inserts.

The 616 is a **Deluxe** insert that features a 180 CFM convection fan, top and rear Accent Lights, and the GreenSmart® Remote Control. Learn more about our exciting GreenSmart® features on page 16.

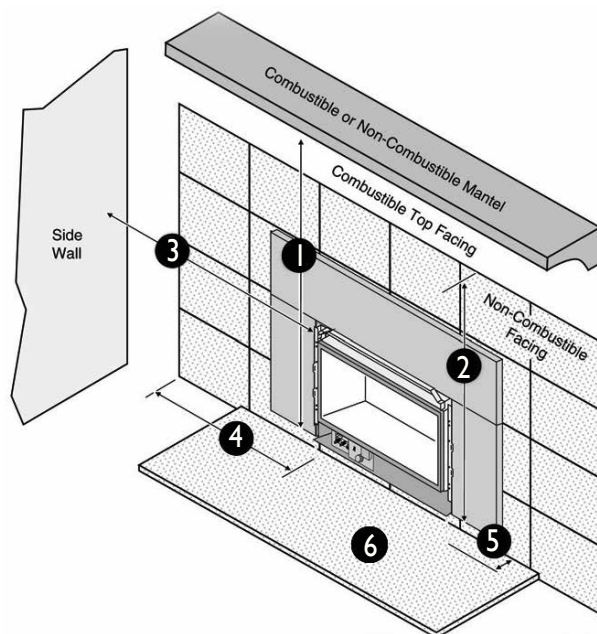
Options *(See pages 14-15)*

- Six face designs to choose from
- Choose between Traditional Log Set, Driftwood log set and/or Fyre-Stone™ Kit
- Four firebacks choices
- Two sizes of finish panels to choose from (Custom Panels are also available)
- Insert Wiring Kit

Specifications

| | |
|---------------------------------|---|
| Heating Capacity: | 600 to 2,000 Square Feet |
| Maximum BTU/HR Input: | 39,000 (NG/LP) |
| Minimum BTU/HR Input: | 14,835 (NG) 11,872 (LP) |
| Steady State Efficiency (High): | Up To 84.94% (NG), 86.75% (LP) |
| P4 Canadian Efficiency: | 70.92% (NG), 72.97% (LP) |
| Dimensions: | 23-5/16" H, 34" W (Front), 24" W (Back), 16"D |
| Glass Area: | 28-7/8" W x 21-3/8" H |

Clearances To Combustibles & Hearth Protection



| | |
|---|---|
| 1 | 36-1/2" = 12" Mantle Depth 33" = 4" Mantle Depth |
| 2 | 35-1/2" |
| 3 | 6" |
| 4 | 5" |
| 5 | 0" |
| 6 | 12" |



Scan this QR Code to watch a video of the 616 burning.



FINISH OPTIONS

FOR MODELS 32 DVS & 34 DVL

MEDIA OPTIONS

Your interior media choice will transform the overall look of your insert. Choose from the Ember-Fyre® high definition logs which come standard with the Award Winning Ember-Fyre® burner for the most realistic, wood-like fire available. You also have the choice of the Traditional log set, giving you another log option available for all models. Or you may choose from the Fyre-Stone™ Rock Kit or Driftwood Fire Art™ which is completed with a glass floor available in platinum, bronze, cobalt blue and reflective black colors.



High Definition Log Set with
Award Winning Ember-Fyre®
Burner



Traditional Log Set with
Dancing-Fyre™ Burner



Driftwood Fire Art with
Glass Media



Fyre-Stone™ Rock Kit with
Glass Media

FACE OPTIONS



Black Painted

TIMES SQUARE™ FACE

32 DVS 30-3/8" W x 20-7/8" H
34 DVL 34" W x 24-7/8" H



Black Painted



Bronze Painted

PROFILE™ FACES -

The Profile Faces feature three beautiful finishes, allowing you to create a personalized look.

32 DVS 31-1/8" W x 20-1/2" H 34 DVL 34" W x 24-1/2" H

Profile faces require Finish Panels as shown in photos.



Stainless Steel



Black Painted

UNIVERSAL FACE

This faces do not require Finish Panels.

32 DVS Small: 23-1/8" H x 37-7/16" W
32 DVS Large: 29" H x 40-3/8" W
34 DVL Small: 27" H x 40-5/16" W
34 DVL Large: 33 1/2" H x 44" W



Black Painted



Hand-Rubbed Carbon Patina

WILMINGTON FACES

Available in black paint or our exclusive hand-rubbed carbon patina which features added depth with subtle polished highlights around the edges

32 DVS 22 1/2" H x 32 1/4" W 34 DVL 27" H x 36" W

These faces require Finish Panels.

FINISH OPTIONS

FINISH PANELS FOR WILMINGTON FACES

FOR 32 DVS & 34 DVL

These panels are attached to the insert to accommodate the size variance between the insert face and the size of your existing fireplace opening.

Custom three-sided and four-sided panels are also available by special order from your Lopi Dealer.

32 DVS 3 Piece Panels with Trim

- 4" x 6" 37-1/8" W x 25" H
- 8" x 10" 40-5/16" W x 28-7/8" H
- 10" x 13" 44-5/16" W x 31-7/8" H
- 8" x 10" Arched Top 40-5/16" W x 28-7/8" H

One Piece Panels, No Trim

- Small 38" W x 25" H
- Large 40" W x 28 1/2" H

34 DVL 3 Piece Panels with Trim

- 4" x 6" 40" W x 29" H
- 8" x 10" 44-3/16" W x 33-3/8" H
- 10" x 13" 48-1/8" W x 36-3/8" H
- 8" x 10" Arched Top 44-3/16" W x 33-3/8" H

One Piece Panels, No Trim

- Small 42" W x 30 1/2" H
- Large 44" W x 34" H



3-Piece Panel



Arched Panel



One Piece Panel



Lower Zero Clearance Panel
Trimmable panel to finish off
bottom of insert

FIREBACKS

FOR ALL INSERT MODELS

Leave the interior basic black for a very simple, contemporary look, or add a decorative fireback (Required on 430 and 616 models). Traditional firebacks come in a choice of Handmade Brick, Common Brick, and Herringbone Brick patterns. For a strikingly more contemporary look, choose the beautiful black glass fireback.



Handmade Brick



Common Brick



Herringbone Brick



High Gloss Black Glass
Black Enamel on 430



FINISH OPTIONS

FOR MODELS 430 AND 616

MEDIA OPTIONS

Transitional interior media options allow you to give your 616 or 430 insert a whole new appearance. The highly detailed Traditional Log Set offers a timeless look, while Driftwood Fire Art™ transforms the appearance of your fire completely to a more modern style.



430 Traditional Log Set



616 Traditional Log Set



430 Driftwood Fire Art



616 Driftwood Fire Art



Fyre-Stone™ Rock Kit
Model 616 ONLY

FACE & PANEL OPTIONS FOR MODELS 430 AND 616

FACE OPTIONS

Lopi's selection of designer faces are the perfect choice for anyone seeking a sleek, open face design for their gas insert. The tight, clean style of these faces provides a stunning accent to the fire while offering a transitional look that will complement any home's décor.



Black Painted



Stainless Steel



Bronze Painted

PROFILE™ FACES

The Profile Faces feature four beautiful finishes, allowing you to create your own unique personalized look. Choose from Black Painted, Bronze Painted, or Stainless Steel finishes.

430 Face Dimensions
31-1/16" W x 20-1/2" H

616 Face Dimensions
35-1/2" W x 24-3/16" H

ONE-PIECE FINISH PANELS



One-piece panels are available for the 616 and 430 and come in two sizes.

MODEL 430

25" H x 38" W
28-1/2" H x 40" W

MODEL 616

30-1/2" H x 42" W
34" H x 44" W

Custom fit three-sided and four-sided panels are available through your Lopi dealer.



TIMES SQUARE™ FACE

Model 430 Face Dimensions:
31-1/16" W x 22" H

Model 616 Face Dimensions:
35-1/2" W x 25-11/16" H



WILMINGTON™ FACE

Black Painted

Model 430 Face Dimensions:
31-1/16" W x 22" H

Model 616 Face Dimensions:
35-1/2" W x 25-11/16" H



WILMINGTON™ FACE

Hand-Rubbed Carbon Patina



GREAT GREEN SMART FEATURES:

COMFORT CONTROL™

With the push of a button, Comfort Control™ will turn off the rear burner while leaving the front burner on for an attractive flame appearance when less heat output is desired. This feature not only ensures your comfort, but does not waste energy when less heat is desired. Comfort Control™ offers the ultimate in heating flexibility and allows you to enjoy your fire year-round.

ACCENT LIGHTS

Accent Lights add a warm glow to the interior of the firebox and can be used whether the fire is on or off. These Accent Lights serve as a perfect night-light or soft, indirect light for the room and allow for visual enhancement of your insert 365 days a year.

Rear accent lights not available on DVS and DVL when using Driftwood or Fyre-Stone Rock Kit. DVL has over-head accent lights.



Accent Light Off



Accent Light On

MULTI-FUNCTION WIRELESS THERMOSTAT GREENSMART® REMOTE CONTROL

The GreenSmart® Remote can be wall mounted or used as a hand held device.

Functions of the Remote:

- Thermostat
- Flame Adjustment
- Fan Operation
- Accent Light Control
- Comfort Control™
- GreenSmart™ 2 /CPI Pilots



CHOICE OF PILOT MODES

(Featured On All Models)

Easily Switch Between Pilot Modes.

GreenSmart®: Use this mode during the summer or on days when mild heat is desired to reduce gas consumption from the pilot.

CPI-Continuous Pilot: Use Continuous Pilot during the fall and winter months or in cold climate areas where more heat is desired. This mode keeps the Pilot on at all times and warms the vent system to maintain a strong draft in the chimney and reduce moisture condensation on the glass.

CONTROL SETTINGS



Flame Adjustment

Adjusts the height/heat of the flame as

you desire. 6 levels of flame height to choose from. Not used while in Smart Thermostat setting.



Convection Fans

180 CFM fan circulates room air around the firebox and deliver

heated air into your home. 6 speeds to choose from.



Accent Lights

Create a warm glow to highlight the fireplace interior. Use

year-round to add ambiance. 6 levels to choose from.



Comfort Control™

Turns off the back burner which lowers the BTU input. Allows you to burn less gas on milder days

when you want to enjoy a fire and not overheat your living area.



Manual Setting

ON/OFF

Fire and fan stay where you manually set it.

Thermostat Setting

Fireplace turns ON or OFF to maintain your desired home/room temperature.

Smart Thermostat Setting

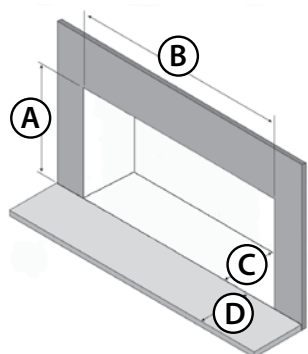
Fire height will adjust automatically (up or down or OFF) to better maintain your temperature setting. A greener way to heat.

Use mobile device to watch a video of how this GreenSmart™ 2 remote works.



INSTALLING AN EFFICIENT GAS INSERT IN YOUR METAL OR MASONRY FIREPLACE

- 1 The first step is determining whether you have a metal (zero clearance) or masonry fireplace and which insert will fit into your fireplace. Your Lopi Design Center Professional can assist you if needed. They will also provide you with your new air intake system and exhaust vent liners. It is important that this work is done by a hearth professional.
- 2 Next determine which insert is best for your home based on the fireplace size and your heating requirements.



Minimum Fireplace Requirements Per Model

| Panel Type | A - Height | | B - Width | | C - Depth | | D - Hearth Ext. | |
|------------|------------|---------|-----------|---------|-----------|---------|-----------------|---------|
| | 3-Piece | 1-Piece | 3-Piece | 1-Piece | 3-Piece* | 1-Piece | 3-Piece | 1-Piece |
| 32 DVS | 19-1/2" | 20-5/8" | 26-1/2" | 29" | 15-5/8" | 16-7/8" | 1-1/4" | 0 |
| 34 DVL | 23-3/4" | 24-7/8" | 31-1/2" | 32-1/2" | 15" | 16-1/4" | 1-1/4" | 0 |
| 430 | -- | 20-1/4" | -- | 30-1/2" | -- | 15-1/2" | -- | 1-3/4" |
| 616 | -- | 24-1/4" | -- | 35" | -- | 16-1/2" | -- | 12" |

* Insert sits 1-1/4" further onto hearth

- 3 Choose your preferred style of insert panel. (Custom fit 3 and 4 sided panels are also available).
- 4 Select a face design and optional firebrick and you are ready to enjoy your new efficient gas insert by Lopi!
If you do not want the fan power cord running across your hearth, consider using the optional Fan Wiring Kit which allows you to hard wire the fan's electrical connection within your existing fireplace.



INSERT WIRING KIT OPTION

If you do not want the power cord running across your hearth use our optional U. L. approved Fan Wiring Kit. This kit allows you to hard-wire the electrical connection within your existing fireplace for a safe and cord free installation. Available for all gas inserts.

- 5 Add a Liner Kit to reline your existing chimney and for a clean look to finish off the top of your chimney after your insert is installed.

For Models 32 DVS
 Prairie Cap Part No. 96200330
 High Wind Cap Part No. 96200339

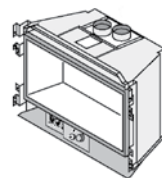
For Model 430
 High Wind Cap Part No. 96200339

For Model 34 DVL
 Prairie Cap Part No. 96200331
 High Wind Cap Part No. 96200340

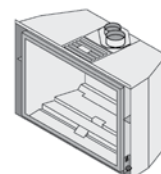
For Models 616
 High Wind Cap Part No. 96200340



MID SIZED FIREPLACE INSERTS



DELUXE 32 DVS



DELUXE 430

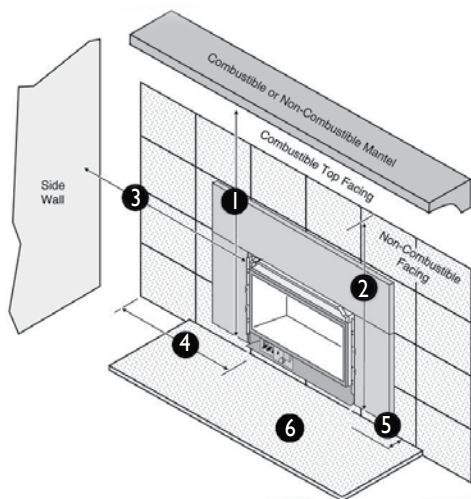
SPECIFICATIONS The dimensions and clearances on this page are for reference only. Refer to the Owner's Manual prior to installation.

| | | |
|--|--|--------------------------------------|
| Height | 19-1/2" (495mm) | 20-1/4" (515mm) |
| Width in Front | 26-1/2" (673mm) | 30-1/2" (775mm) |
| Width in Back | 18" (457mm) | 21" (534mm) |
| Depth | 15-1/8" (384mm) | 15-1/2" (394mm)" |
| Flex Vent Diameter | 3" Exhaust - 3" Air Intake | 3" Exhaust - 3" Air Intake |
| Unit Weight | 115 lbs. | 106 lbs. |
| Glass Size <i>(viewing glass will vary slightly with face design)</i> | 25-3/8" W x 12-3/4" H 352.5 sq. in. | 24-3/8" W x 17-5/8" H 430 sq. in. |
| Powerful Convection Fans | 180 CFM | 180 CFM |
| GreenSmart® Remote | YES | YES |

PERFORMANCE *Heating Capacity can be affected by negative pressure in the home and by prevailing atmospheric conditions. Contact local building or fire officials about restrictions and installation requirements in your area.

| | | |
|---|------------------------------|------------------------------|
| Heating Capacity* | Up to 1,500 square feet | Up to 1,500 square feet |
| BTU Input (NG) | 31,000 (high) - 10,700 (low) | 31,000 (high) - 11,241 (low) |
| BTU Input (LP) | 31,000 (high) - 12,600 (low) | 31,000 (high) - 7,702 (low) |
| Steady State Efficiency Up To (High) <i>Steady State Efficiency determined using maximum venting as tested under DOE 10 CFR part 430, Subpart B, Appendix O.</i> | 88.77% (NG) 90.13% (LP) | 83.63% (NG) 85.76% (LP) |
| Canada Energuide Efficiency <i>FE Efficiency determined using CSA P4.1-02.</i> | 76.17% (NG) 78.05% (LP) | 70.11% (NG) 71.27% (LP) |
| AFUE Efficiency | 80.90% (NG) 83.30% (LP) | 73.40% (NG) 74.30% (LP) |

CLEARANCES TO COMBUSTIBLES Installation information is available at your local Lopi dealer or online at www.lopistoves.com



| | | |
|---------------------------|-----------------------------------|--|
| 1 = Floor to Mantle | 1 = 35"* (889mm) | 1 = 34-1/2" (876mm) 12" Mantle Depth 33-1/2" (851mm) 4" Mantle Depth |
| 2 = Floor to Top Facing | 2 = 35" (889mm) | 2 = 32-3/8" (823mm) |
| 3 = Insert to Sidewall | 3 = 4-1/2" (114mm) | 3 = 5" (157mm) |
| 4 = Insert to Side Facing | 4 = 4-1/2" (114mm) | 4 = 3-3/8" (186mm) |
| 5 = Extension onto Hearth | 5 = 1-1/4"* (32mm) | 5 = 0" |
| 6 = Hearth Dimensions | 6 = 0" | 6 = 1-3/4" (44mm) |
| | * Maximum 12" mantle depth | * Maximum 12" mantle depth. |
| | **0" If used with one piece panel | See Owner's Manual for clearances when using less than 12" mantle depth. |

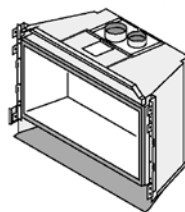
PANEL SIZES Measurements for each panel is for maximum fireplace opening coverage - Panels not used on Architectural and Universal Faces.

3 and 4 sided Custom Fit Panels are available from your Lopi® dealer.

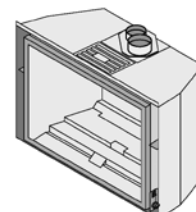
| | | |
|---|-----------------------------|-------------------|
| Arched 8" sides x 10" top | 40-5/16" w x 23-1/2" h side | |
| Rectangular 4" sides x 6" top | 40-5/16" w x 28-7/8" h top | |
| Rectangular 8" sides x 10" top | 37-1/8" w x 25" h | |
| Rectangular 10" sides x 13" top | 40-5/16" w x 28-7/8" h | |
| <i>(all can be trimmed for inside fit of fireplace opening)</i> | 44-5/16" w x 31-7/8" h | |
| One Piece Small | 38" w x 25" h | 38" w x 25" h |
| One Piece Large | 40" w x 28" h | 40" w x 28-1/2" h |

All Inserts Tested and Certified by Omni Test labs to ANSI Z21.88-2014 and CSA 2.33-2014 "Vented Gas Fireplace Heater"

LARGE FIREPLACE INSERTS



DELUXE 34 DVL



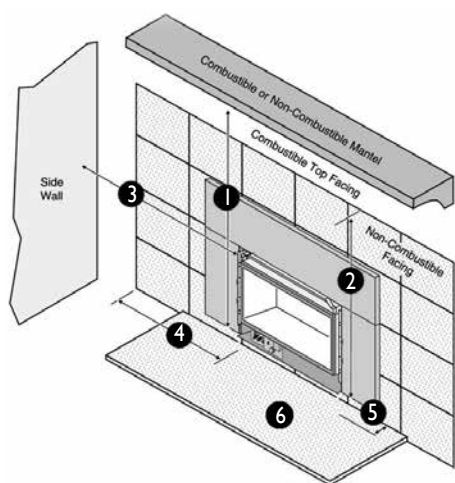
DELUXE 616



| | | |
|--|----------------------------|----------------------------|
| Height | 23-3/4" (603mm) | 23-5/16" (592mm) |
| Width in Front | 31-1/2" (800mm) | 34" (864mm) |
| Width in Back | 20" (508mm) | 24" (610mm) |
| Depth | 14-1/2" (368mm) | 16" (406mm) |
| Flex Vent Diameter | 4" Exhaust - 3" Air Intake | 4" Exhaust - 3" Air Intake |
| Unit Weight | 135 lbs. | 133 lbs. |
| Glass Size | 29"W x 18"H | 28-7/8"W x 21-3/8"H |
| <i>(viewing glass will vary slightly with face design)</i> | 522 sq. in. | 616 sq. in. |
| Powerful Convection Fans | 180 CFM | 180 CFM |
| GreenSmart® Remote | YES | YES |



| | | |
|---|------------------------------|------------------------------|
| Heating Capacity* | Up to 2,000 square feet | Up to 2,000 square feet |
| BTU Input (NG) | 40,000 (high) - 11,900 (low) | 39,000 (high) - 14,835 (low) |
| BTU Input (LP) | 40,000 (high) - 7,400 (low) | 39,000 (high) - 11,872 (low) |
| Steady State Efficiency Up To (High) | 86.95% (NG) | 84.94% (NG) |
| <i>Steady State Efficiency determined using maximum venting as tested under DOE 10 CFR part 430, Subpart B, Appendix O.</i> | 88.39% (LP) | 86.75% (LP) |
| Canada Energuide Efficiency | 75.21% (NG) | 70.92% (NG) |
| <i>FE Efficiency determined using CSA P4.1-02.</i> | 76.01% (LP) | 72.97% (LP) |
| AFUE Efficiency | 79.90% (NG) | 75.50% (NG) |
| | 81.00% (LP) | 75.90% (LP) |



| | | |
|---------------------------|----------------------|---|
| 1 = Floor to Mantle | 1 = 35-1/2"* (902mm) | 1 = 36-1/2" (927mm) 12" Mantle Depth 33" (838mm) 4" Mantle Depth |
| 2 = Floor to Top Facing | 2 = 35-1/2" (902mm) | 2 = 35-1/2" (902mm) |
| 3 = Insert to Sidewall | 3 = 4" (102mm) | 3 = 6" (152mm) |
| 4 = Insert to Side Facing | 4 = 4" (102mm) | 4 = 5" (102mm) |
| 5 = Extension onto Hearth | 5 = 1-1/4"*** (32mm) | 5 = 0" |
| 6 = Hearth Dimensions | 6 = 0" | 6 = 12" (305mm) |

* Maximum 12" mantle depth.
***0" If used with one piece panel.

* Maximum 12" mantle depth.
See Owner's Manual for clearances when using less than 12" mantle depth.



3 and 4 sided Custom Fit Panels are available from your Lopi® dealer.

| | | |
|---|----------------------------|-------------------|
| Arched 8" sides x 10" top | 44-3/16" w x 28" h side | 42" w x 30-1/2" h |
| Rectangular 4" sides x 6" top | 44-3/16" w x 33-3/8" h top | 44" w x 34" h |
| Rectangular 8" sides x 10" top | 40" w x 29" h | |
| Rectangular 10" sides x 13" top | 44-3/16" w x 33-3/8" h | |
| <i>(all can be trimmed for inside fit of fireplace opening)</i> | 48-1/8" w x 36-3/8" h | |
| One Piece Small | 42" w x 30-1/2" h | |
| One Piece Large | 44" w x 34" h | |

Note: Improper installation of your gas appliance or failure to operate it in accordance to the guidelines detailed in the Owner's Manual may negate your warranty and endanger your home and family. Installation information is available on our website at www.lopi.com. We recommend all Lopi appliances be installed and maintained on an annual basis by your Specialty Hearth Retailer.

Only the most professional specialty hearth retailers are selected to sell Lopi® stoves and inserts. They represent our total commitment to exceptional products and excellent service. In addition, they have successfully completed special training programs in the proper selection, installation, and service of all Lopi® products.

Your professional Lopi® hearth dealers are experts who can advise you on everything from customizing the color of your appliance to selecting appropriate venting and chimney materials. They can show you Lopi models on display, including working models actually burning.



Lopi® produces a wide variety of quality wood, pellet, gas and electric hearth appliances.

Find your favorite fire today by visiting: www.lopistoves.com.

LOPI FIRE DESIGNER

Customize the right fireplace for you by visiting our website at www.lopistoves.com. The Lopi® Fire Designer can help you customize your fireplace insert with an easy and fun website that helps you choose the right heating appliance for the right space and for the right look.



KEEP THEM WARM, KEEP THEM SAFE

All Lopi® Gas Insert faces come with ANSI compliant safety screen. These screens are designed to be virtually invisible and prevent accidental contact with the hot glass surface on the fireplace insert. You may want to take additional safety measures such as adding a firescreen in front of your insert. These precautions will allow everyone in your home to safely enjoy the comfort and warmth of your new gas insert.

YOUR LOPI® AUTHORIZED DEALER:



www.lopistoves.com
Manufactured
By Travis Industries, Inc.
Mukilteo, WA

Lopi® Gas Inserts are protected by one or more of the following patents; U.S. 8,469,021, 7,066,170, 6,602,068, 6,443,726, 6,953,037; Canada 2755517 as well as other U.S. and Foreign Patents pending. Lopi® reserves the right to alter or improve its products at any time without notification. All trademarks belong to Travis Industries. For installation specifications refer to the Owner's Manual found on the Lopi® website. 12/2018 Printed in U.S.A. #98800716