



# 616/430 Inserts - Black Glass Firebacks

(616 - Sku# 96100931) (430 - Sku# 96100922)

## Packing List

• (1) Rear Glass Fireback	
• (2) Side Glass Firebacks	
• (4) Panel Spacers	
• (2) Front Flanges 430 version = 17-1/2" Long 616 version = 21-1/4" Long	
• (2) Bottom Retainers	

## Installation

### GLASS FIREBACK WARNINGS

**HANDLING THE FIREBACKS:** The glass firebacks are fragile – especially the edges. Take care to prevent contacting/scraping the glass against metal or rough surfaces. You may wish to lay out a blanket during installation in case you need to set the firebacks down.

We recommend the use of gloves and safety glasses during the installation of the glass firebacks.

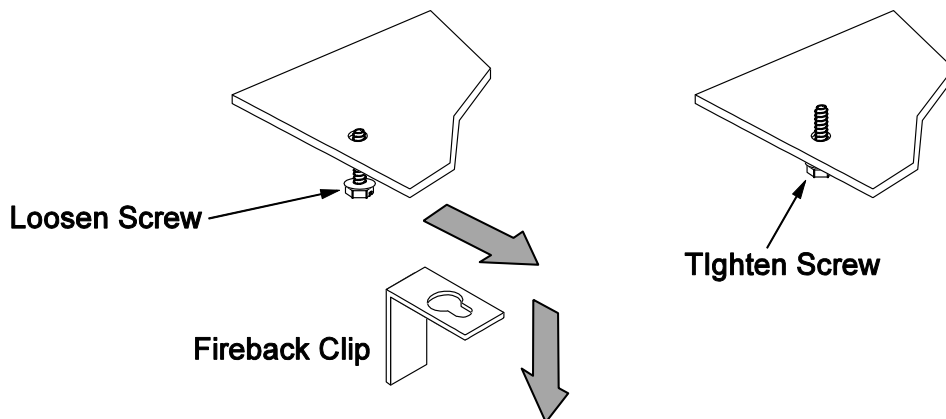
### CLEANING

These firebacks require periodic cleaning. Do not use ammonia-based cleaners (this may cloud the glass). We recommend ammonia-free glass cleaner (i.e. vinegar and water) to clean the fireback.

- 1 Access the firebox (see Owner's Manual).

**Remove the burner (see Installation Instructions for details).**

- 2 Remove the two side fireback clips from the firebox ceiling (1/4" nutdriver). Loosen the screws just enough to allow the fireback clip to move. The clip has a "key hole" slot on it. Slide the clip forward until it can move freely over the head of the screw. Tighten the screws so they do not obstruct the installation of the glass panels in a later step.





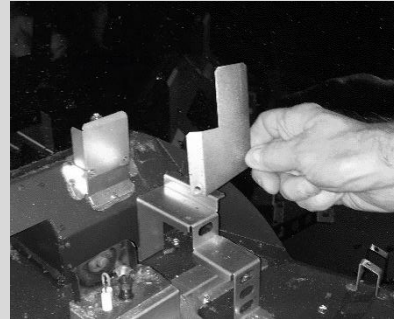
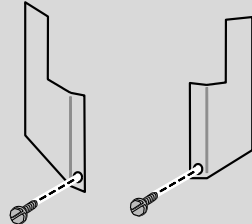
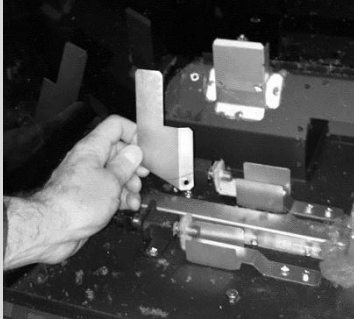
TRAVIS INDUSTRIES  
HOUSE OF FIRE

## 616/430 Inserts - Black Glass Firebacks

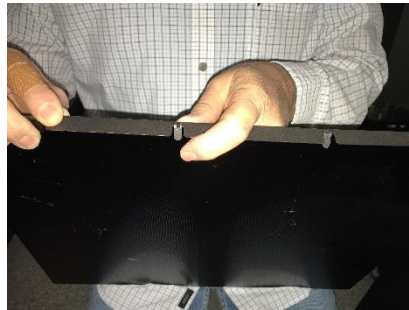
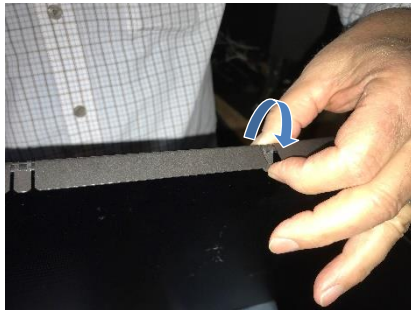
(616 - Sku# 96100931) (430 - Sku# 96100922)

### **430 ONLY** - Remove the Light Shields

Remove the two light shields on the accent lights for the 430 before installing the rear fireback. Replace after fireback is in place.



- 3 Fit Panel Spacers to the top and bottom edges of the rear fireback panel. There are tabs approximately 1/3 of the way in from each end of the spacer. Place the spacer in the center of the bottom edge of the glass panel. Use your fingers to bend the tabs into a "C" shape around the edge of the glass. Once this step is complete, set the panel aside for installation in a later step.



- 4 Prepare the side panels for installation. Slide a Front Flange over the front edge of a side fireback. The shorter portion of the spacer should overlap the smooth side of the glass panel. Use your fingers to bend the tabs on either end of the spacer. The tabs will wrap around the top and bottom edges of the glass and secure the spacer to the panel.





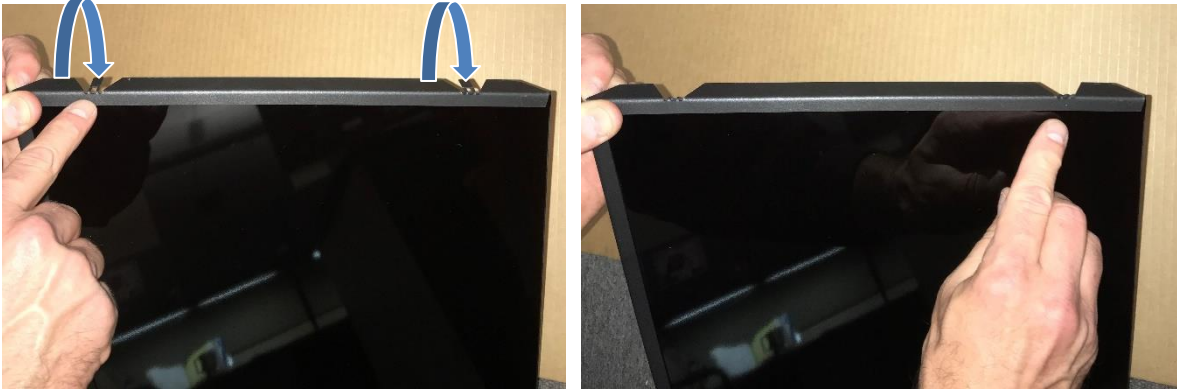
TRAVIS INDUSTRIES  
HOUSE OF FIRE

## 616/430 Inserts - Black Glass Firebacks

(616 - Sku# 96100931) (430 - Sku# 96100922)

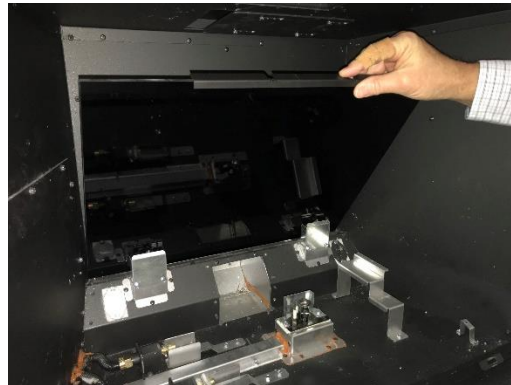
- 5 Install a spacer on the top edge of the side panels. The shorter portion of the spacer should overlap the smooth side of the glass panel. Use your fingers to bend the two tabs around the top and edge of the glass and secure the spacer to the panel.

**NOTE:** Once the top spacer is in place, slide it forward until it is touching the front flange (installed in the previous step). Repeat this step 4 and 5 for the other side panel.



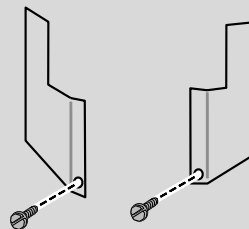
- 6 Place the rear fireback into position in the rear of the firebox. Hold the spacers in place on the fireback until it is in position.

**NOTE:** Support the rear fireback until you get the side fireback in place (the next step). The side fireback holds the rear fireback in place.



### **430 ONLY – Reinstall Light Shields**

Reinstall the light shields removed in step 2.



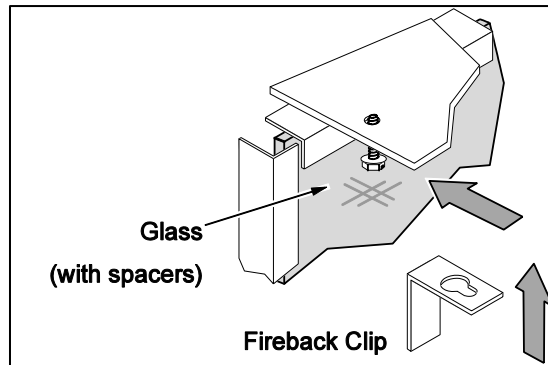


TRAVIS INDUSTRIES  
HOUSE OF FIRE

## 616/430 Inserts - Black Glass Firebacks

(616 - Sku# 96100931) (430 - Sku# 96100922)

- 7 Move one of the side firebacks into place. Press the side fireback up against the sidewall of the firebox until the top spacer touches the sidewall. Loosen the fireback retaining screw (use 1/4" nut driver) . Install a fireback clip (removed in step 2) over the screw. Slide the clip against the glass (the glass will be sandwiched between the clip and spacer). Tighten the screws to lock the glass in place (see below)





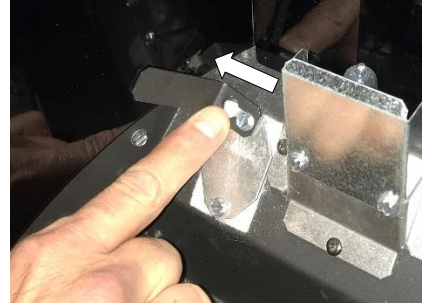


TRAVIS INDUSTRIES  
HOUSE OF FIRE

## 616/430 Inserts - Black Glass Firebacks

(616 - Sku# 96100931) (430 - Sku# 96100922)

- 8 Install the Bottom Retainers. Loosen the top screw that secures the cover for the leveling legs for the unit. Install the retainer over the loosened screw and slide the retainer toward the side fireback panel until it is making contact. Tighten the screw to lock the retainer in place (see pictures below).



- 9 Repeat steps 7 and 8 for the other side fireback.
- 10 Clean the glass to remove any fingerprints.
- 11 Restore the insert to the correct configuration.

**NOTE:** When reinstalling the burners, make sure the tabs on the rear burner rests on TOP of the front burner (see below).

