



## Packing List

- (1) Rear Glass Fireback
- (2) Side Glass Firebacks
- (6) Universal Spacers

## Installation

### **GLASS FIREBACK WARNINGS**

**HANDLING THE FIREBACKS:** The glass firebacks are fragile – especially the edges. Take care to prevent contacting/scraping the glass against metal or rough surfaces. You may wish to lay out a blanket during installation in case you need to set the firebacks down.

We recommend the use of gloves and safety glasses during the installation of the glass firebacks.

### **CLEANING**

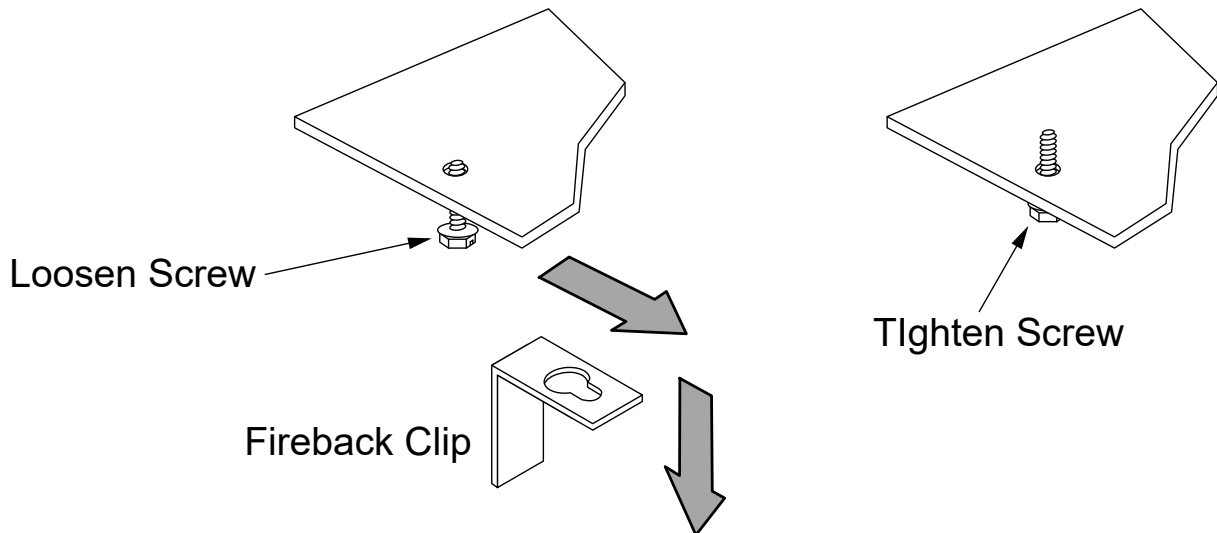
These firebacks require periodic cleaning. Do not use ammonia-based cleaners (this may cloud the glass). We recommend ammonia-free glass cleaner (i.e. vinegar and water) to clean the fireback.

- 1 Access the firebox (see Owner's Manual).

### **DVL Inserts Only**

Remove the burner (see DVL Burner Installation Instructions). Carefully bend the accent light bracket downwards to allow for access to the back wall of the firebox.

- 2 Remove the two side fireback clips from the firebox ceiling (1/4" nutdriver). Loosen the screws just enough to allow the fireback clip to move. The clip has a "key hole" slot on it. Slide the clip forward until it can move freely over the head of the screw. Tighten the screws so they do not obstruct the installation of the glass panels in a later step.



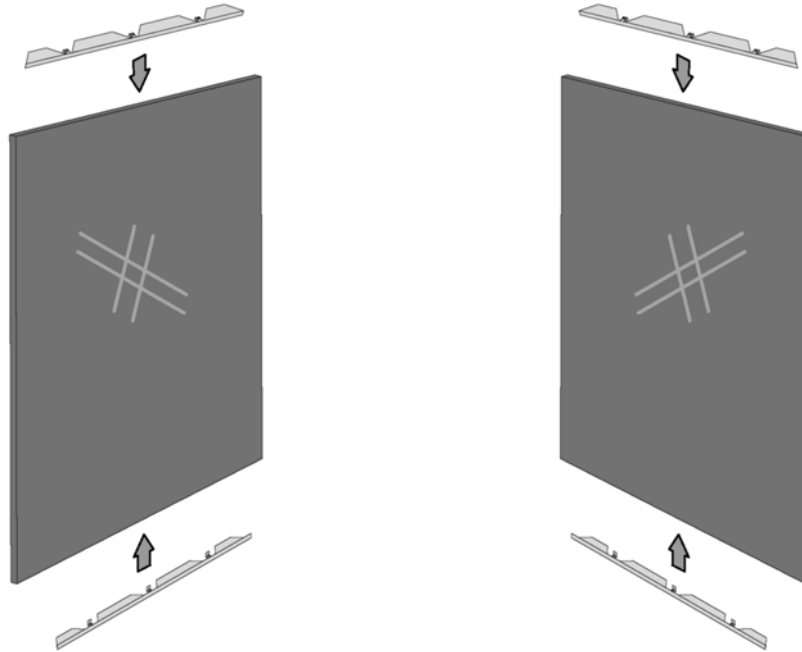


# DVL, 33 DVI Black Glass Firebacks

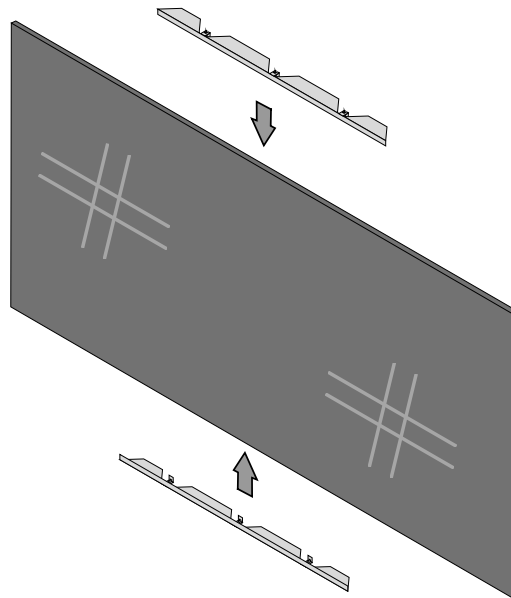
SKU# 96100277

- 3 Prepare the side panels for installation. Place spacers over the top and bottom edges of the side glass. Bend the (3) tabs on each spacer over the edge of the glass panel to secure the spacers (see illustration below). Repeat this step with the second sidepiece. Set the panels aside for installation in a later step.

**NOTE:** Use your fingers to bend the three tabs on the spacer. The end of the bent tabs should wrap around to the textured side of the glass. The smooth side faces out.



- 4 Prepare the rear panel for installation. Slide a spacer over the top and the bottom of the rear glass panel and secure the spacers in the same manner as the previous step.



**DVL Inserts Only**

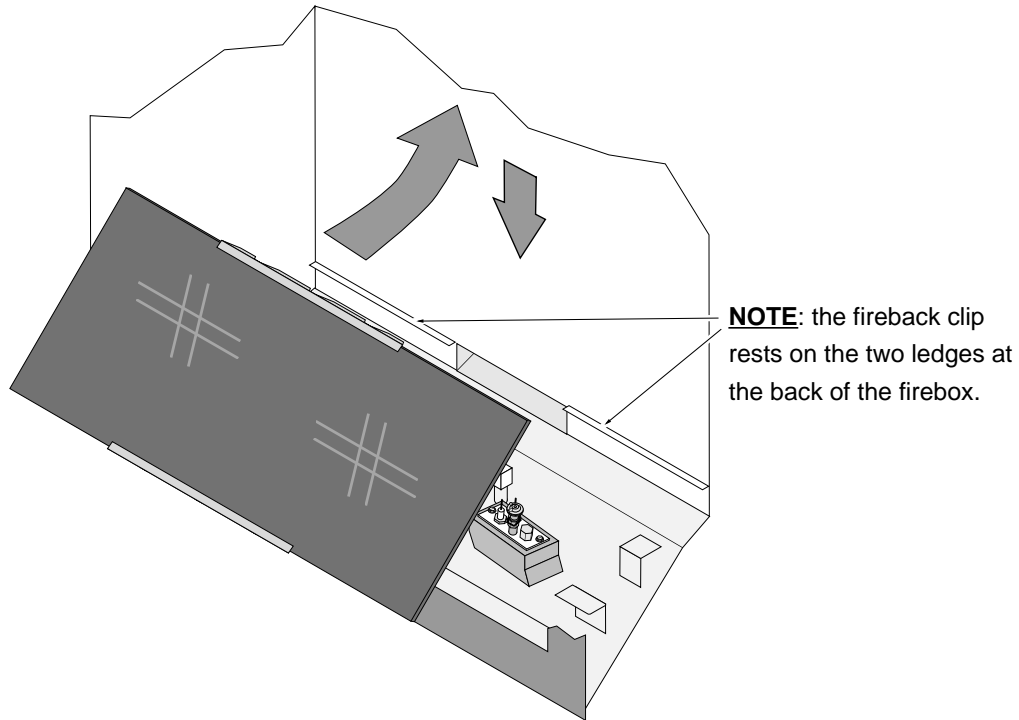
Carefully bend the accent light bracket back to the correct position. Replace the burner (see DVL Burner Installation Instructions).



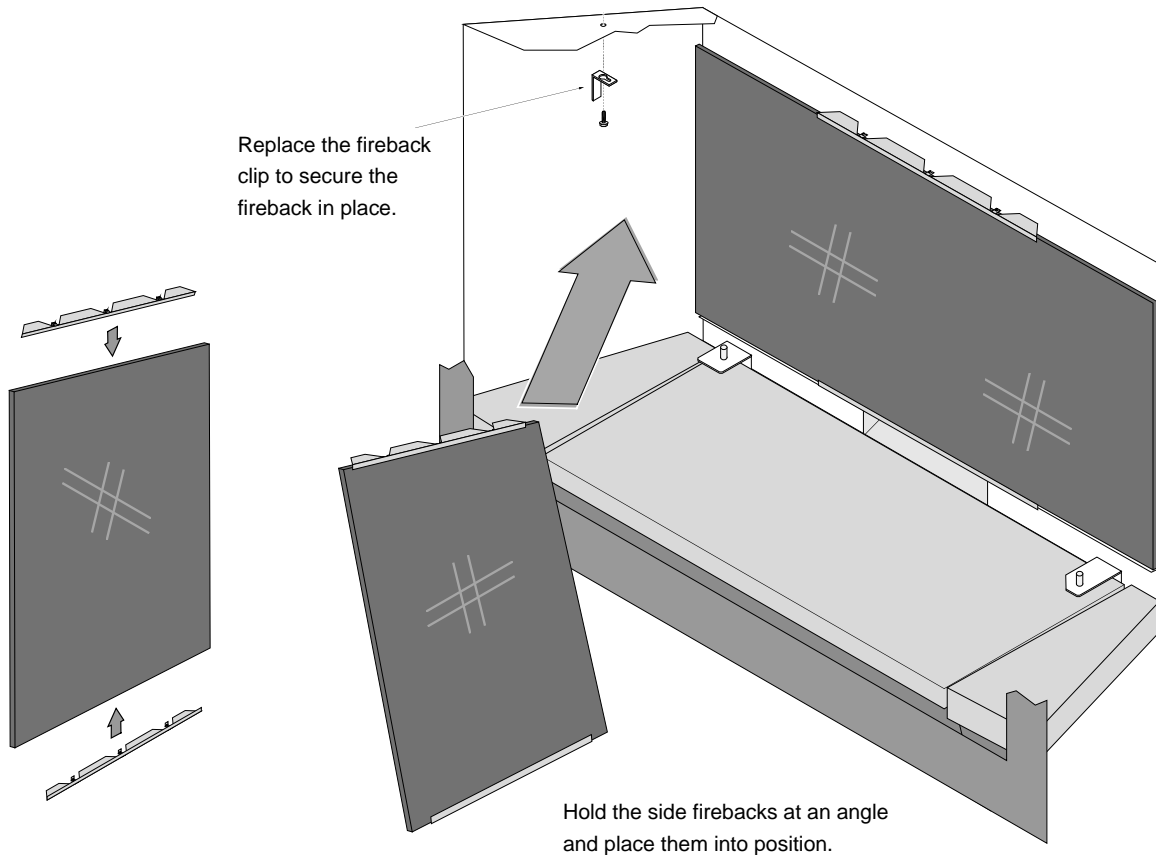
# DVL, 33 DVI Black Glass Firebacks

SKU# 96100277

- 5 Place the rear fireback into position and support it with your hand until you install one of the side panels in the next step.



- 6 Install one of the side panels into the firebox as shown below.

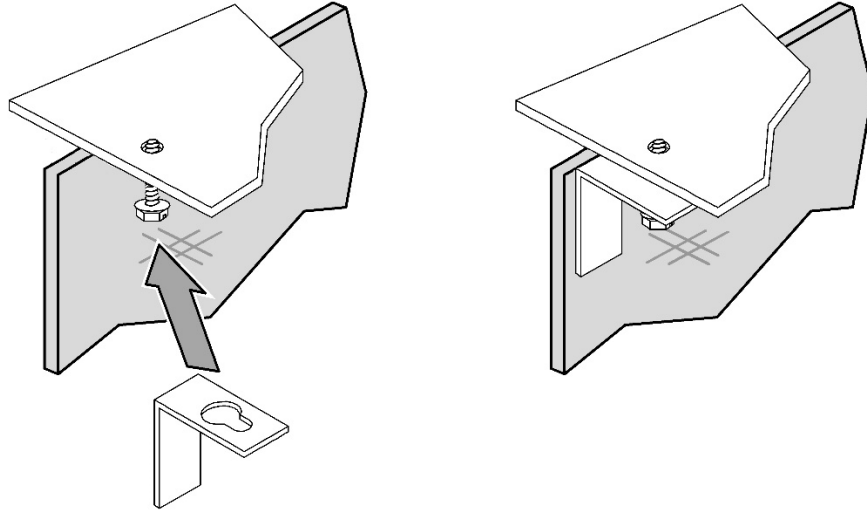




# DVL, 33 DVI Black Glass Firebacks

SKU# 96100277

- 7 Install a fireback clip (removed in step 2) over the screw. Slide the clip against the glass (the glass will be sandwiched between the clip and the side of the firebox). Tighten the screws to lock the glass in place (see below).



- 8 Repeat steps 5 and 6 for the opposite side fireback.