



616 / 430 Face Installation Instructions

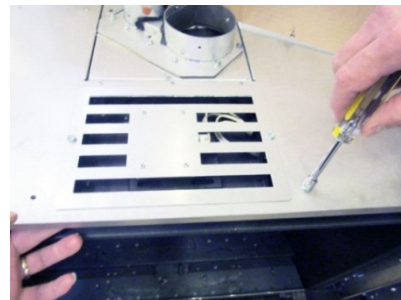
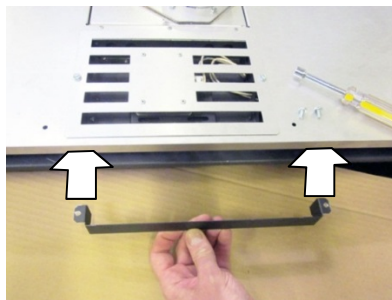
616 Faces			430 Faces	
Wilm Black 96900221	Rect Bevel Black 96900752	Times Square 96900761	Wilm Black 96800207	Times Square 96800706
Wilm Carbon 96900222	Universal 96900755	Profile Black 96900763	Wilm Carbon 96800208	Profile Black 96800708
Wilm Carbon 96900223	Shadowbox Blk 96900757	Profile Stnls 96900765	Shadow Black 96800703	Profile Stnls 96800709
Shadowbox Blk 96900750	Shadowbox Brnz 96900758	Profile Pnt Brz 96900767	Shadow Bronze 96800704	Profile Pnt Brz 96800711
Shadowbox Brnz 96900751	Rect Bevel Blk 96900759		Rect Bevel Blk 96800705	

Packing List

- Face
- Wilmington Faces include a Cove Cover
- Wilmington Carbon Faces include a Patina Touch-Up Kit with instruction sheet

Pre-2019 Inserts* Require a Light Shield with All Faces Except the Shadowbox

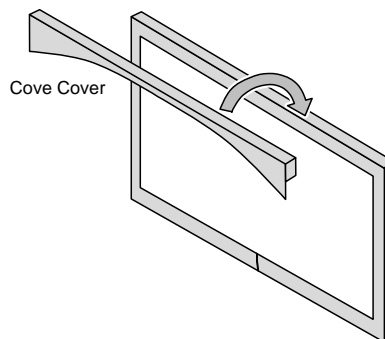
Earlier units* required a light shield to prevent light from exiting the convection opening (except for the shadowbox face – which never needed the light shield). If you have one of these units and are using a non-shadowbox face, make sure to order the light shield and install it as shown below (includes 2 screws). 616 = 250-02652, 430 = 250-03110.



* Pre Ember-Glo Inserts (430 & 616) require the light shield for all faces except the shadowbox. In addition, the first batch of 616 Ember-Glo inserts (SN 3416-012792 or less) also require this light shield for non-shadowbox faces.

Wilmington Faces Only

Attach the cove cover to the glass frame as shown below.





TRAVIS INDUSTRIES
HOUSE OF FIRE

616 / 430 Face Installation Instructions

Face Installation

The insert should be in place with the surround panel installed. See the manual for details.

Insert the 2 lower tabs on the face into the 2 slots on the glass frame.

Press forward and up on the face until the upper tabs insert into the upper slots on the glass frame. Then the face will slide down securely. See the photos below.



Stainless Steel – Care and Cleaning

Use glass cleaner on a soft cloth to remove any marks left on the surface.