

564 HO NB GSR2 (with screen) Installation Manual



⚠ WARNING: FIRE OR EXPLOSION HAZARD

Failure to follow safety warnings exactly could result in serious injury, death, or property damage.

- Do not store or use gasoline or other flammable vapors and liquids in the vicinity of this or any other appliance.
- **WHAT TO DO IF YOU SMELL GAS**
 - Do not try to light any appliance.
 - Do not touch any electrical switch; do not use any phone in your building.
 - Leave the building immediately
 - Immediately call your gas supplier from a neighbor's phone. Follow the gas supplier's instructions.
 - If you cannot reach your gas supplier, call the fire department.
- Installation and service must be performed by a qualified installer, service agency or the gas supplier.



**HOT GLASS WILL CAUSE
BURNS**

**DO NOT TOUCH GLASS
UNTIL COOLED**

**NEVER ALLOW CHILDREN
TO TOUCH GLASS**

A barrier designed to reduce the risk of burns from the hot viewing glass is provided with this appliance and shall be installed for the protection of children and other at-risk individuals.

Tested and Listed by



Intertek

ANSI Z21.88-2014

CSA 2.33-2014

- **Built-In Direct Vent
Fireplace**
- **Natural Gas or Propane**
- **Residential or Mobile
Home**

This appliance may be installed in an aftermarket, permanently located, manufactured home (USA only) or mobile home, where not prohibited by local codes.

This appliance is only for use with the type of gas indicated on the rating plate. A conversion kit is supplied with the appliance.

INSTALLER: Leave this manual with the appliance.

CONSUMER: Retain this manual for future reference.

Overview

This manual details the installation requirements for the 564 HO NB GSR2 fireplace. For operating and maintenance instructions, refer to the 564 HO NB GSR2 Owner's Manual.

Listing Details

This appliance was listed by Intertek Test Labs to ANSI Z21.88. The listing label is attached to the appliance near the gas control valve. A copy is shown to the right.

Massachusetts Approval

This manual has been submitted to the Massachusetts Board of State Examiners of Plumbers and Gas Fitters.

National Fireplace Institute

NATIONAL
FIREPLACE
INSTITUTE



CERTIFIED
www.nficertified.org

We suggest that our gas hearth products be installed and serviced by professionals who are certified in the U.S. by the National Fireplace Institute® (NFI) as NFI Gas Specialists.



564 HO GSR2
Vented Gas Fireplace Heater
Le Gaz donné vent Cheminée
Appareil de chauffage



Tested to: ANSI Z21.88-2014/CSA 2.33-2014 "Vented Gas Fireplace Heater", CGA 2.17-M91 (R2009) "Gas Burning Heating Appliances for Manufactured Homes", and CSA P4.1-09 testing method for measuring annual fireplace efficiency.

This appliance must be installed in accordance with local codes, if any; if none, follow the National Fuel Gas Code, ANSI Z223.1/NFPA 54, or Natural Gas and Propane Installation Codes, CSA B149.1.

This appliance must be installed in accordance with the current Standard CAN/CSA Z240 MH, Mobile Housing, in Canada or with the Manufactured Home Construction and Safety Standard, Title 24 CFR, Part 3280, in the United States, or when such a standard is not applicable, ANS/INCSCS A225.1/NFPA 501A, Manufactured Home Installation Standard.

This vented gas fireplace heater is equipped at the factory for use with natural gas. If conversion to propane (LP) is desired, the optional factory conversion kit must be used. Part No. 250-03190 register kit may be used.

This appliance is only for use with the type of gas indicated on the rating plate and may be installed in an aftermarket, permanently located, manufactured home (USA only) or mobile home, where not prohibited by local codes. See owner's manual for details. This appliance is not convertible for use with other gases, unless a certified kit is used.

This vented gas fireplace heater is not for use with air filters.

Keep burner and control compartment clean. See installation and operating instructions accompanying appliance.

This appliance must be properly connected to a venting system in accordance with the manufacturer's installation instructions. Use only approved coaxial direct vent system to vent this appliance to the exterior. See owner's manual for approved brands of venting.

If the vent-air intake system is disconnected for servicing or any other reason, it must be resealed and / or reinstalled.

WARNING: Improper installation, adjustment, alteration, service or maintenance can cause injury or property damage. Refer to the owner's information manual provided with this appliance. For assistance or additional information consult a qualified installer, service agency or the gas supplier.

VENTED GAS FIREPLACE HEATER
NOT FOR USE WITH SOLID FUEL

Minimum Clearances to Combustibles

Fireplace to Adjacent Wall	12" (305mm)
Wood Floor Beneath Fireplace	0" (0mm)
Rack to Enclosure	0" (0mm)
Base of Fireplace to Enclosure Top	56" (1423mm)
Sides to Enclosure	0.5" (13mm)
Base of Fireplace to a Mantel	See Owner's Manual

FAN TYPE VENTED CIRCULATOR

Blower Electrical Rating: 120V AC, 1.5 Amps, 60 Hz

Part No. 250-00031 / 250-00032 fan or blower assembly may be used.

DANGER! Risk of Electric Shock. Disconnect power before servicing unit.

	L.P.	N.G.
Input Rate on "HI" (BTU/Hr)	35,000	35,000
Input Rate on "LO" (BTU/Hr)	7,500	10,400
Orifice Size - Front (DMS)	1.10mm	#50
Orifice Size - Rear (DMS)	#55	#44
Minimum Inlet Pressure (inches W.C.)	11"	5.5"
Maximum Inlet Pressure (inches W.C.)	13"	7"
Manifold Pressure on "HI" (inches W.C.)	11"	3.5"

This appliance is equipped for use only at altitudes 0-2,000 feet (0-610m) in the USA. In Canada, 0-4,500 feet (0-1370m).

For altitudes above 2,000 feet, the vent configuration, orifice, or combination of both may need to be changed.

See owner's manual for information on making these changes.

WARNING: Failure to install this appliance per the manufacturer's instructions or failure to use only parts specifically approved with this appliance may result in property damage or personal injury.

MANUFACTURE DATE:

<input type="checkbox"/> 2016	<input type="checkbox"/> Jan.	<input type="checkbox"/> Apr.	<input type="checkbox"/> Jul.	<input type="checkbox"/> Oct.
<input type="checkbox"/> 2017	<input type="checkbox"/> Feb.	<input type="checkbox"/> May	<input type="checkbox"/> Aug.	<input type="checkbox"/> Nov.
<input type="checkbox"/> 2018	<input type="checkbox"/> Mar.	<input type="checkbox"/> Jun.	<input type="checkbox"/> Sep.	<input type="checkbox"/> Dec.

CAUTION:

Do not operate this appliance with glass removed, cracked or broken. Replacement of the panel(s) should be done by a licensed or qualified service person.

PRUDENCE:

Ne pas fonctionner cet appareil avec le verre enlevé, craqué ou cassé. Le remplacement des panneaux devrait être fait par une personne de service autorisée ou qualifiée.

Essai à : ANSI Z21.88-2014/CSA 2.33-2014 « A Donne vent de l'Appareil de chauffage de Cheminée de Gaz », adaptateur de graphique couleur 2.17-M91 (R2009) « Le Gaz Brûlant Appareils Chauffage pour les Maisons Fabriquées », et la méthode d'Essai de P4.1-09 DE CSA pour l'efficacité de cheminée annuelle à mesurer.

Cet appareil doit être conformément installé aux codes locaux, si n'importe lequel ; si aucun, suivre le Code de Gaz de Carburant National, ANSI Z223.1/NFPA 54, ou Gaz Naturels et les Codes d'Installation de Propane, CSA B149.1.

Cet appareil doit être conformément installé au BOITE/CSA Standard actuel Z240 MH, le Logement Mobile, au Canada ou avec les Constructions de Maison Fabriquées et la Norme de Sécurité, le Titre 24 CFR, la Partie 3280, aux Etats-Unis, ou quand une telle norme n'est pas applicable, ANS/INCSCS A225.1/NFPA 501A, Norme d'Installation de Maison Fabriquée.

Ceci a donné vent de l'appareil de chauffage de cheminée de gaz est équipé à l'usine pour l'usage avec le gaz naturel. Si la conversion au propane (LP) est désiré, la trousse de conversion d'usine facultative doit être utilisée. La partie No 250-03190 trousse de registre pourrait être utilisée.

Cet appareil est seulement pour l'usage avec le type de gaz indiqué sur la plaque de classement et pourrait être installé dans une maison tiers d'une façon permanente localisée et fabriquée (USA seulement) ou la maison mobile, ou pas interdié par les codes locaux. Voir le manuel du propriétaire pour les détails. Cet appareil n'est pas convertible pour l'usage avec les autres gaz, à moins qu'une trousse certifiée est utilisée.

Ceci a donné vent de l'appareil de chauffage de cheminée de gaz n'est pas pour l'usage avec les filtres à air.

Garder le compartiment de brûleur et contrôle nettoie. Voir l'installation et les instructions opérantes qui accompagnent l'appareil.

Cet appareil doit être convenablement connecté à un système donner vent conformément aux instructions d'installation du fabricant. Utiliser le système de conduit direct, coaxial et seulement approuvé pour donner vent cet appareil à l'extérieur. Voir le manuel du propriétaire pour les marques approuvées de donner vent.

Si le système de prise de conduit-air est débranché pour entretenir ou aucune autre raison, il doit être rescellée et / ou réinstallée.

L'APPAREIL DE CHAUFFAGE DONNE VENT DE CHEMINÉE DE GAZ PAS POUR L'USAGE AVEC LE COMBUSTIBLE SOLIDE

Dégagements Minimums à Combustible

La cheminée au mur adjacent	12" (305mm)
Le plancher en bois en dessous de la cheminée	0" (0mm)
De retour à la clôture	0" (0mm)
La base de cheminée au sommet de clôture	56" (1423mm)
Les côtés à la clôture	0.5" (13mm)
La base de cheminée à un manteau de cheminée	***
(***) Voir le manuel du propriétaire	

EVENTER LE TYPE A DONNE VENT CIRCULATEUR

La soufflerie Classement Electrique : 120V AC, 1.5 Amps, 60 Hz

La partie No 250-00031 / 250-00032 assemblée de ventilateur ou soufflerie pourrait être utilisée.

¡PELIGRO! El riesgo de Descarga eléctrica. Desconecte el poder antes de atender a la unidad.

	G.P.L.	G.N.
Taux d'entrée sur « HI » (BTU/Hr)	35,000	35,000
Taux d'entrée sur « LO » (BTU/Hr)	7,500	10,400
La Taille d'orifice - le Devant (DMS)	1.10mm	#50
La Taille d'orifice - l'Arrière (DMS)	#55	#44
La Pression minimum d'Arrivée (inches W.C.)	11"	5.5"
La Pression maximum d'Arrivée (inches W.C.)	13"	7"
Diverse Pression sur « HI » (inches W.C.)	11"	3.5"

Cet appareil est équipé pour l'usage seulement aux altitudes 0-2,000 pieds (0-610m) dans l'USA. Au Canada, 0-4,500 pieds (0-1370m).

Pour les altitudes au-dessus de 2,000 pieds, la configuration de conduit, l'orifice, ou la combinaison des deux peut avoir besoin d'être change.

Voir le manuel du propriétaire pour les informations sur faire ces changements.

AVERTISSEMENT : L'installation déplacée, l'ajustement, le changement, le service ou l'entretien peuvent causer les dommages de blessure ou propriété. Se référer au manuel d'informations du propriétaire fourni avec cet appareil. Pour obtenir de l'aide ou les informations supplémentaires consultez un programme d'installation, une agence de service ou le fournisseur de gaz qualifié.

AVERTISSEMENT : L'échec pour installer cet appareil par les instructions du fabricant ou l'échec pour utiliser seulement des parties ont approuvé en particulier avec cet appareil peut avoir pour résultat les dommages de propriété ou la blessure personnelle.

Overview	2	Restrictor Position	24
Listing Details.....	2	Exhaust Restrictor Adjustment.....	24
Installation Options.....	6	Intake Restrictor Adjustment.....	25
Heating Specifications.....	6	Diffuser Plate Adjustment.....	26
Dimensions	6	Vent Configurations with Horizontal Termination (EmberFyre Burner only).....	27
Packing List.....	7	Vent Configurations with Vertical Termination (EmberFyre Burner only).....	28
Additional Items Required.....	7	Vent Configurations with Horizontal Termination (Dancing/DiamondFyre).....	29
Installation Overview	8	Vent Configurations with Vertical Termination (Dancing/DiamondFyre).....	30
Recommended Installation Procedure	8	Masonry Chimney Conversions	31
Massachusetts Requirements		Class A Chimney Conversion.....	32
Televisions Placed Above the Fireplace.....	12	Termination Requirements	33
Using a Mantel Between the Fireplace and Television	12	Hearth Requirements	34
Using a Buildout Above Fireplace and Television	13	Facing Requirements	35
Using a Buildout Below a Television	14	Mantel Requirements (combustible or non-combustible).....	42
Outdoor fireplace installations	15	Mantel Column Clearances.....	42
Nailing Brackets	16	Steps for Finalizing the Installation	43
Corner Installations	17	Air Shutter Adjustment	44
Outdoor Fireplace Installations	18	Barrier Removal	45
Gas Line Requirements	19	Glass Frame Removal	46
Fuel.....	19	Glass Frame Removal and Installation (continued)	47
Gas Line Connection	19	<i>LP Conversion Instructions</i>.....	48
Gas Inlet Pressure.....	19	Installation	48
Gas Line Location.....	20	Attaching the Power Heat Duct to the 564 HO52	
Converting Gas Line to the Left Side	20	Power Heat Duct Covers.....	52
Electrical Connection (required)	21	Installing the Power Heat Duct with the 564 HO	53
Vent Requirements	22	Wiring Diagram	54
Vent Clearances	22		
Altitude Considerations.....	22		
Approved Vent.....	23		
Vent Installation	23		
Approved Vent Configurations	24		

Safety Warnings

- Failure to follow all of the requirements may result in property damage, bodily injury, or even death.

Young children should be carefully supervised when they are in the same room as the appliance. Toddlers, young children and others may be susceptible to accidental contact burns. A physical barrier is recommended if there are at risk individuals in the house. To restrict access to a fireplace or stove, install an adjustable safety gate to keep toddlers, young children and other at risk individuals out of the room and away from hot surfaces.

Children and adults should be alerted to the hazards of high surface temperature and should stay away to avoid burns or clothing ignition. Do not touch the hot surfaces of the heater. Educate all children of the danger of a high-temperature heater.

Due to the high temperature, the heater should be located out of traffic and away from furniture and draperies.

- This unit must be installed by a qualified installer to prevent the possibility of an explosion.
- This appliance must be installed in accordance with all local codes, if any; if not, in U.S.A. follow ANSI Z223.1 and NFPA 54(88), in Canada follow CSA B149.1. In Australia follow AS/NZS 5601.1.
- A manufactured home (USA only) or mobile home OEM installation must conform with the Manufactured Home Construction and Safety Standard, Title 24 CFR, Part 3280, or, when such a standard is not applicable, the Standard for Manufactured Home Installations, ANSI/NCSCS A225.1, or Standard for Gas Equipped Recreational Vehicles and Mobile Housing, CSA Z240.4. This appliance may be installed in Manufactured Housing only after the home is site located.
- All exhaust gases must be vented outside the structure of the living-area. Combustion air is drawn from outside the living-area structure. The venting must not be connected to a chimney flue serving a separate solid-fuel burning appliance.
- Notify your insurance company before hooking up this fireplace.
- The instructions in this manual must be strictly adhered to. Do not use makeshift methods or compromise in the installation. Improper installation will void the warranty and safety listing.
- This heater is approved for use with natural gas (NG) or propane (LP). Burning the incorrect fuel will void the warranty and safety listing and may cause an extreme safety hazard. Direct questions about the type of fuel used to your dealer.
- Contact your local building officials to obtain a permit and information on any installation restrictions or inspection requirements in your area.
- If the flame becomes sooty, dark orange in color, or extremely tall, do not operate the heater. Call your dealer and arrange for proper servicing.
- It is imperative that control compartments, screens, or circulating air passageways of the heater be kept clean and free of obstructions. These areas provide the air necessary for safe operation.
- Do not operate the heater if it is not operating properly in any fashion or if you are uncertain. Call your dealer for a full explanation of your heater and what to expect.
- Do not store or use gasoline or other flammable liquids in the vicinity of this heater.
- Do not operate if any portion of the heater was submerged in water or if any corrosion occurs. Immediately call a qualified service technician to inspect the appliance and to replace any part of the control system and any gas control which has been under water.

Safety Warnings (continued)

- Because this heater can be controlled by a thermostat there is a possibility of the heater turning on and igniting any items placed on or near the appliance.
- Light the heater using the built-in igniter. Do not use matches or any other external device to light your heater.
- Never remove, replace, modify or substitute any part of the heater unless instructions are given in this manual. All other work must be done by a trained technician. Don't modify or replace orifices.
- The viewing glass should be opened only for conducting service.
- Allow the heater to cool before carrying out any maintenance or cleaning.
- Operate the heater according to the instructions included in this manual.
- If the main burners do not start correctly turn the gas off and call your dealer for service.
- This unit is not for use with solid fuel.
- Do not place anything inside the firebox (except the optional artwork).
- **Warning:** Do not operate appliance with the glass front removed, cracked or broken. Replacement of the glass should be done by a licensed or qualified service person.
- Do not throw this manual away. This manual has important operating and maintenance instructions that you will need at a later time. Always follow the instructions in this manual.
- Instruct everyone in the house how to shut gas off to the appliance and at the gas main shutoff valve. The gas main shutoff valve is usually next to the gas meter or propane tank and requires a wrench to shut off.
- A barrier designed to reduce the risk of burns from the hot viewing glass is provided with this appliance and shall be installed for the protection of children and other at-risk individuals.
- If the barrier becomes damaged, the barrier shall be replaced with the manufacturer's barrier for this appliance.
- Clothing or other flammable material should not be placed on or near the appliance.
- Any safety screen, guard, or barrier removed for servicing an appliance must be replaced prior to operating the appliance.
- Installation and repair should be done by a qualified service person. The appliance should be inspected before use and at least annually by a professional service person. More frequent cleaning might be required due to excessive lint from carpeting, bedding material, et cetera. It is imperative that control compartments, burners, and circulating air passageways of the appliance be kept clean.
- **Travis Industries, Inc. grants no warranty, implied or stated, for the installation or maintenance of your heater, and assumes no responsibility of any consequential damage(s).**

Proposition 65 Warning: Fuels used in gas, woodburning or oil fired appliances, and the products of combustion of such fuels, contain chemicals known to the State of California to cause cancer, birth defects and other reproductive harm.
California Health & Safety Code Sec. 25249.6

Installation Options

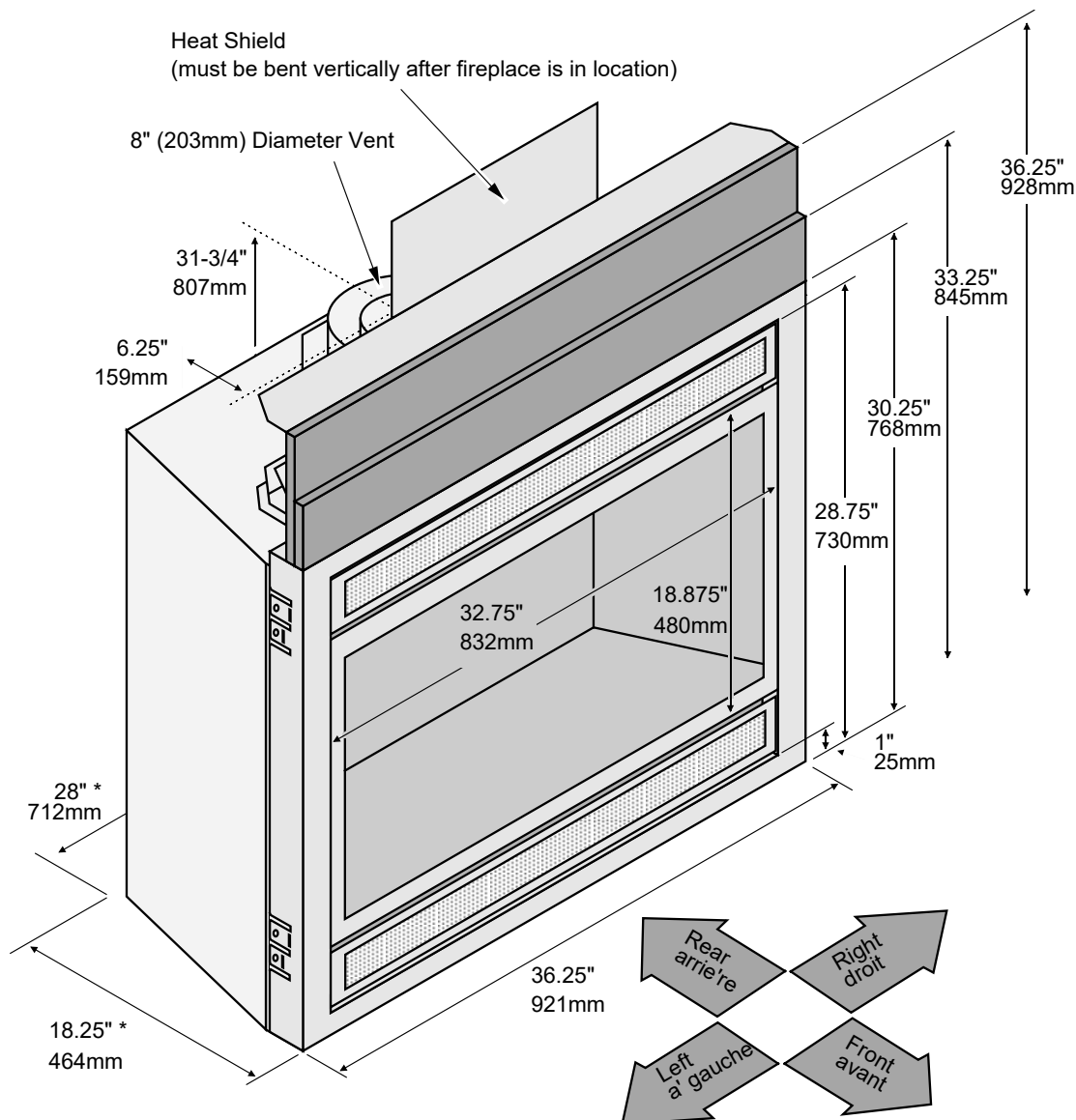
- Residential or Mobile Home
- Straight or Corner Placement
- Flush or Recessed Face
- Accent Lights
- Raised or Floor Placement
- Internal or External Chase
- Bedroom Approved

Heating Specifications

	Natural Gas	Propane
Approximate Heating Capacity (in square feet)*	Up to 1,700	Up to 1,700
Maximum BTU Input Per Hour	35,000	35,000

* Heating capacity will vary with floor plan, insulation, and outside temperature.

Dimensions



* See "Clearances" and "Framing Dimensions" for details.

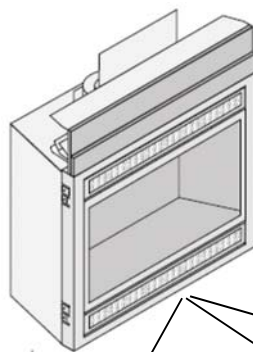
Weight: 165 Lbs. (74 kg)

Packing List

- Propane Conversion Kit
- 564 HO Thimble (250-02318)
- Remote Control

Additional Items Required

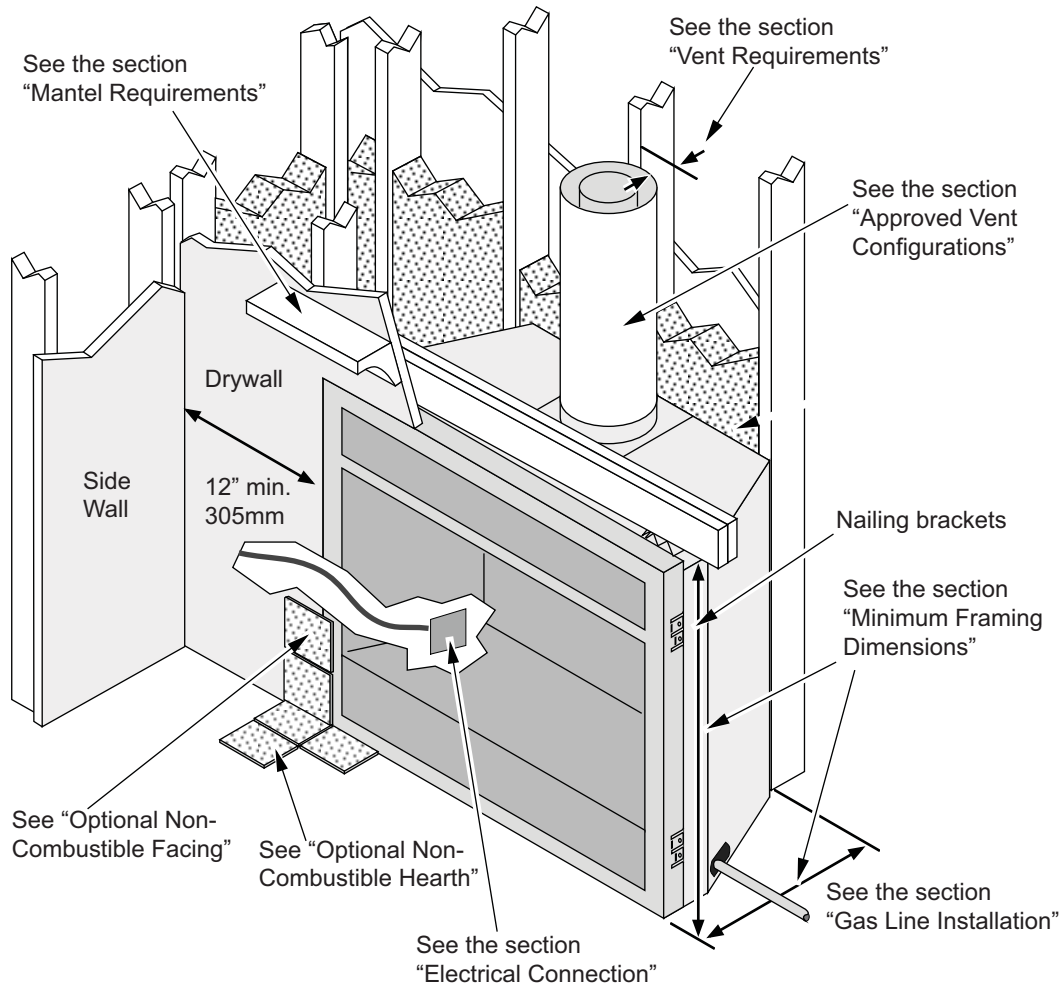
- **If using LP (propane) a conversion kit is required (sku 94400999 – GSR Stepper Motor Kit).**
- Gas Line Equipment
- Electrical Equipment
- **This Fireplace Requires a Burner Kit, Firebacks, Logs/Media, and Face/Grill**
This fireplace is shipped without a burner. This allows the fireplace to be configured in one of three unique designs. See the table below to verify you have all of the items required.



<u>Burner Style</u>	<u>EmberFyre™ Burner</u> 96900116	<u>DiamondFyre™ Burner</u> 96900115	<u>DancingFyre™ Burner</u> 96900114
<u>Firebacks</u>	Requires 564 Ceramic Firebacks: 96100179 96100181 96100182 96100183 96100270 96100271	Requires one of the following: Stainless 96100249 Enamel Black 96100250 Painted Black 96100251	Included w Burner (Black Painted) NOTE: You may use ceramic or 564 HO DiamondFyre firebacks, but they are only installed on the firebox walls (floor firebacks are discarded).
<u>Logs/Media</u>	Included w Burner	Use 564 HO (31 DVI) Media Driftwood (94500548) Fyre-Stones (94700730)	Included w Burner
<u>Face/Grill</u>	Use any 564 Face or Grill	Use any 564 Face or Grill	Use any 564 Face or Grill

Installation Overview

- All requirements below must be met.



Recommended Installation Procedure

- Frame the opening for the fireplace. Make sure to allow for vent installation.
- This fireplace is designed to accommodate 1/2" (13mm) or 5/8" (16mm) drywall (see "Nailing Brackets" on page 15 for details). Secure the fireplace to the framing.
- Install the vent, gas line and electrical hook-up.
- Install the drywall.
- Install the hearth (if applicable).
- Install the facing (if applicable).
- Install the mantel (if applicable).
- Finalize the installation (see page 42) and install the grill or face.

Massachusetts Requirements

NOTE: The following requirements reference various Massachusetts and national codes not contained in this document.

Requirements for the Commonwealth of Massachusetts

For all side wall horizontally vented gas fueled equipment installed in every dwelling, building or structure used in whole or in part for residential purposes, including those owned or operated by the Commonwealth and where the side wall exhaust vent termination is less than seven (7) feet above finished grade in the area of the venting, including but not limited to decks and porches, the following requirements shall be satisfied:

Installation of Carbon Monoxide Detectors

At the time of installation of the side wall horizontal vented gas fueled equipment, the installing plumber or gasfitter shall observe that a hard wired carbon monoxide detector with an alarm and battery back-up is installed on the floor level where the gas equipment is to be installed. In addition, the installing plumber or gasfitter shall observe that a battery operated or hard wired carbon monoxide detector with an alarm is installed on each additional level of the dwelling, building or structure served by the side wall horizontal vented gas fueled equipment. It shall be the responsibility of the property owner to secure the services of qualified licensed professionals for the installation of hard wired carbon monoxide detectors.

In the event that the side wall horizontally vented gas fueled equipment is installed in a crawl space or an attic, the hard wired carbon monoxide detector with alarm and battery back-up may be installed on the next adjacent floor level.

In the event that the requirements of this subdivision cannot be met at the time of completion of installation, the owner shall have a period of thirty (30) days to comply with the above requirements; provided, however, that during said thirty (30) day period, a battery operated carbon monoxide detector with an alarm shall be installed.

Approved Carbon Monoxide Detectors

Each carbon monoxide detector as required in accordance with the above provisions shall comply with NFPA 720 and be ANSI/UL 2034 listed and IAS certified.

Signage

A metal or plastic identification plate shall be permanently mounted to the exterior of the building at a minimum height of eight (8) feet above grade directly in line with the exhaust vent terminal for the horizontally vented gas fueled heating appliance or equipment. The sign shall read, in print size no less than one-half (1/2) inch in size, "GAS VENT DIRECTLY BELOW. KEEP CLEAR OF ALL OBSTRUCTIONS".

Inspection

The state or local gas inspector of the side wall horizontally vented gas fueled equipment shall not approve the installation unless, upon inspection, the inspector observes carbon monoxide detectors and signage installed in accordance with the provisions of 248 CMR 5.08(2)(a)1 through 4.

Exemptions

The following equipment is exempt from 248 CMR 5.08(2) (a) 1 through 4:

- The equipment listed in Chapter 10 entitled "Equipment Not Required To Be Vented" in the most current edition of NFPA 54 as adopted by the Board; and
- Product Approved side wall horizontally vented gas fueled equipment installed in a room or structure separate from the dwelling, building or structure used in whole or in part for residential purposes.

MANUFACTURER REQUIREMENTS

Gas Equipment Venting System Provided

When the manufacturer of Product Approved side wall horizontally vented gas equipment provides a venting system design or venting system components with the equipment, the instructions provided by the manufacturer for installation of the equipment and the venting system shall include:

- Detailed instructions for the installation of the venting system design or the venting system components; and
- A complete parts list for the venting system design or venting system.

Gas Equipment Venting System NOT Provided

When the manufacturer of a Product Approved side wall horizontally vented gas fueled equipment does not provide the parts for venting the flue gases, but identifies "special venting systems", the following requirements shall be satisfied by the manufacturer:

- The referenced "special venting system" instructions shall be included with the appliance or equipment installation instructions; and
- The "special venting systems" shall be Product Approved by the Board, and the instructions for that system shall include a parts list and detailed installation instructions.

A copy of all installation instructions for all Product Approved side wall horizontally vented gas fueled equipment, all venting instructions, all parts lists for venting instructions, and/or all venting design instructions shall remain with the appliance or equipment at the completion of the installation.

See Gas Connection section for additional Commonwealth of Massachusetts requirements.

Fireplace Placement Requirements

- The fireplace requires a 1/2" (13mm) clearance from the angled sides of the fireplace to the framing members. No material (insulation, framing, etc.) may be placed into this area.
- Fireplace must be installed on a level surface capable of supporting the fireplace and vent
- Fireplace must be placed directly on wood or non-combustible surface (not on linoleum or carpet)
- This heater may be placed in a bedroom. Please be aware of the large amount of heat this appliance produces when determining a location.

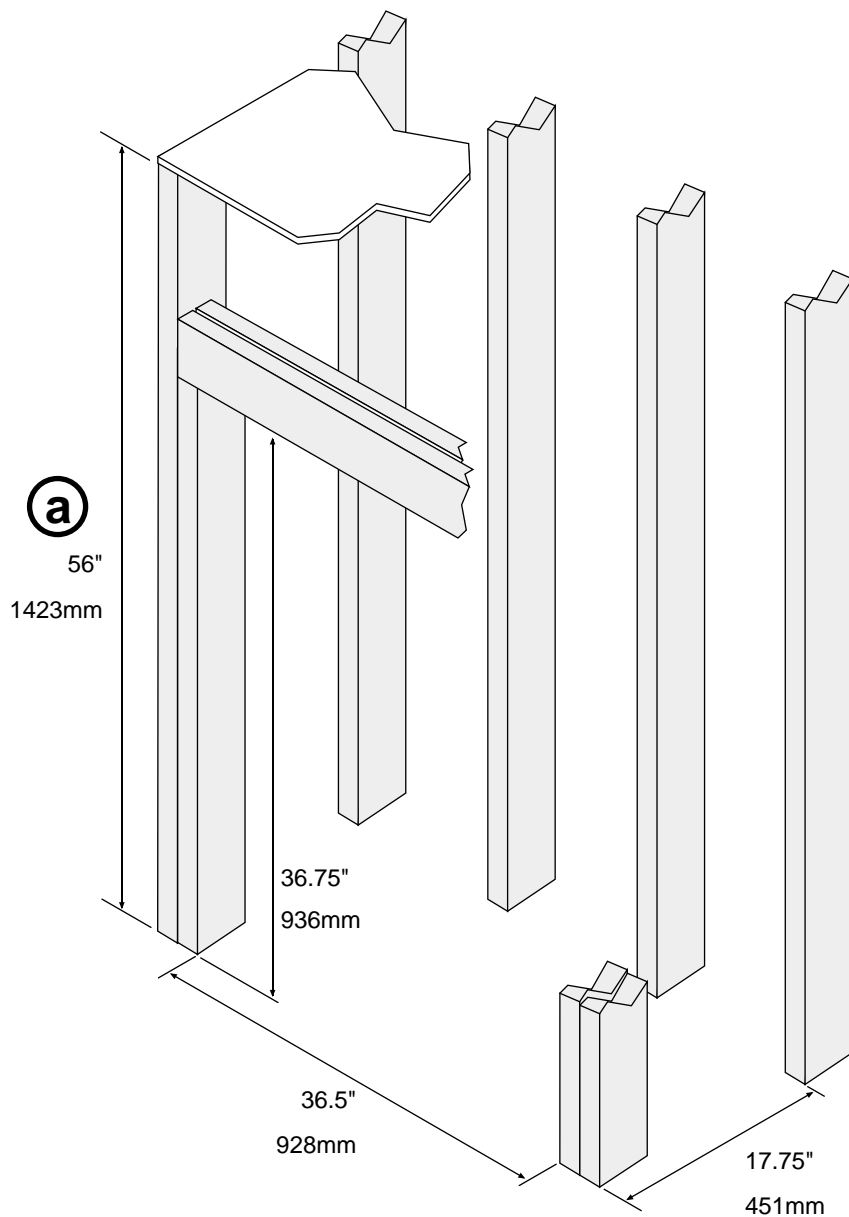
Clearances

- When installed, walls in front of the fireplace must be a minimum 12" (305mm) to the side of the fireplace.
- Due to the high temperature, the heater should be located out of traffic and away from furniture and draperies.
- Fireplace must be placed so the vents below and above the glass do not become blocked.

Raised Fireplaces

- The fireplace (and hearth, if desired) may be placed on a platform designed to support the fireplace (165 lbs., 74Kg) and vent.
- The base of the fireplace must be a minimum 70" (1778mm) below the room ceiling.

Minimum Framing Dimensions



(a) Minimum Enclosure Height

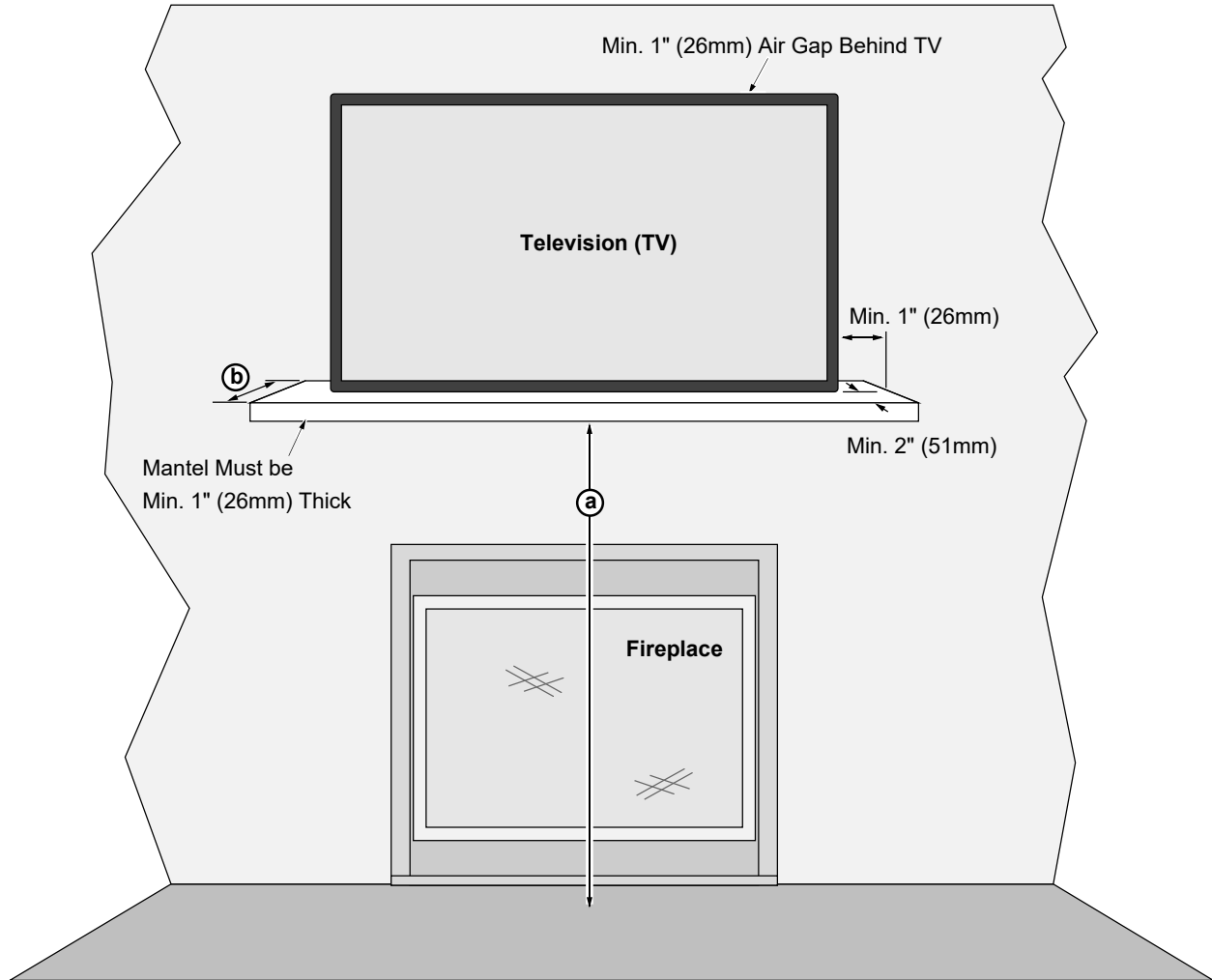
Televisions Placed Above the Fireplace

The following section details three methods to allow for television installation above the fireplace.

Using a Mantel Between the Fireplace and Television

IMPORTANT NOTE REGARDING TELEVISIONS AND THIS FIREPLACE

Most television manufacturers instruct the homeowner to not place the television above a heat source. Doing so may negatively affect the longevity of the television and may negate the warranty. If you do place a television above the fireplace, please be aware of the large amount of heat generated by the fireplace and consider placing the television above a mantel to reduce the amount of heat that reaches the television. The homeowner must understand that Travis Industries does not take responsibility for any negative impact to televisions placed near this fireplace.



Minimum Dimensions:

(a) Minimum Mantel Height above Base of Fireplace*	47" (1194mm) with 10" (254mm) mantel depth
(b) Mantel Depth*	Minimum 10" (254mm)*

*** Mantel depth is 10" minimum to allow heat to travel forward and dissipate. If using more than an 10" mantel, make sure to make the mantel height (a) higher (see mantel requirements on page 42 for details).**

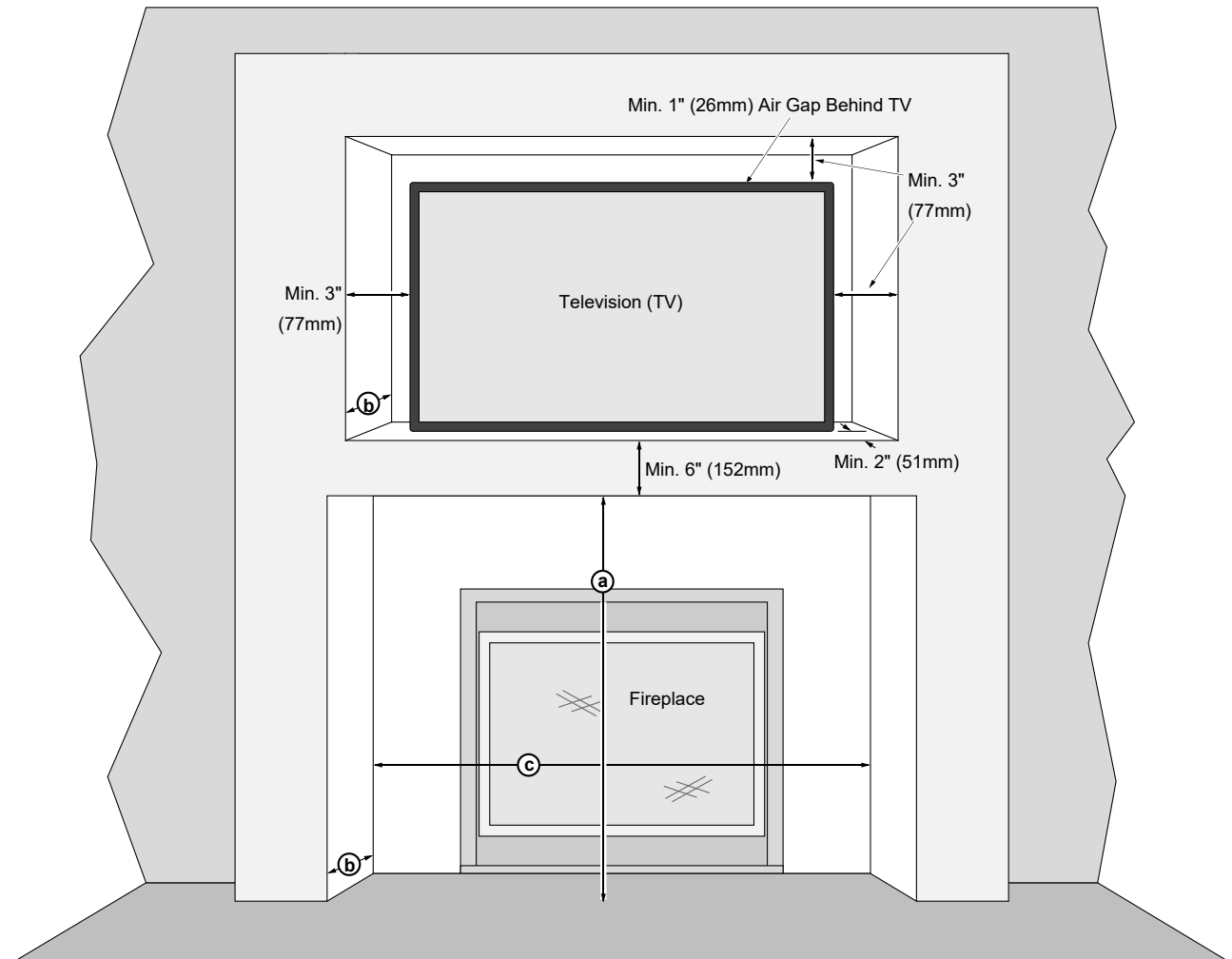
NOTE: The mantel must extend 2" in front of the TV and 1" to both sides. If you have a TV that is greater than 8" deep (including the 1" gap behind), you will need to alter the mantel depth and height.

WIRING NOTE: If running wiring into the enclosure, use thermal insulating wrap around the wiring. Secure the wiring to protect from contact with hot surfaces.

Using a Buildout Above Fireplace and Television

IMPORTANT NOTE REGARDING TELEVISIONS AND THIS FIREPLACE

Most television manufacturers instruct the homeowner to not place the television above a heat source. Doing so may negatively affect the longevity of the television and may negate the warranty. If you do place a television above the fireplace, please be aware of the large amount of heat generated by the fireplace and consider placing the television above a mantel to reduce the amount of heat that reaches the television. The homeowner must understand that Travis Industries does not take responsibility for any negative impact to televisions placed near this fireplace.



Minimum Dimensions:

(a) Minimum Buildout Height above Base of Fireplace*	47" (1194mm) with 10" (254mm) buildout depth
(b) Minimum Fireplace/TV Buildout Depth*	Minimum 10" (254mm)*
(c) Fireplace Buildout Width	60.25" (1531mm)

*** Buildout depth is 10" minimum to allow heat to travel forward and dissipate. If using more than an 10" buildout, make sure to make the buildout height (a) higher (buildout must meet mantel requirements - see page 42 for details).**

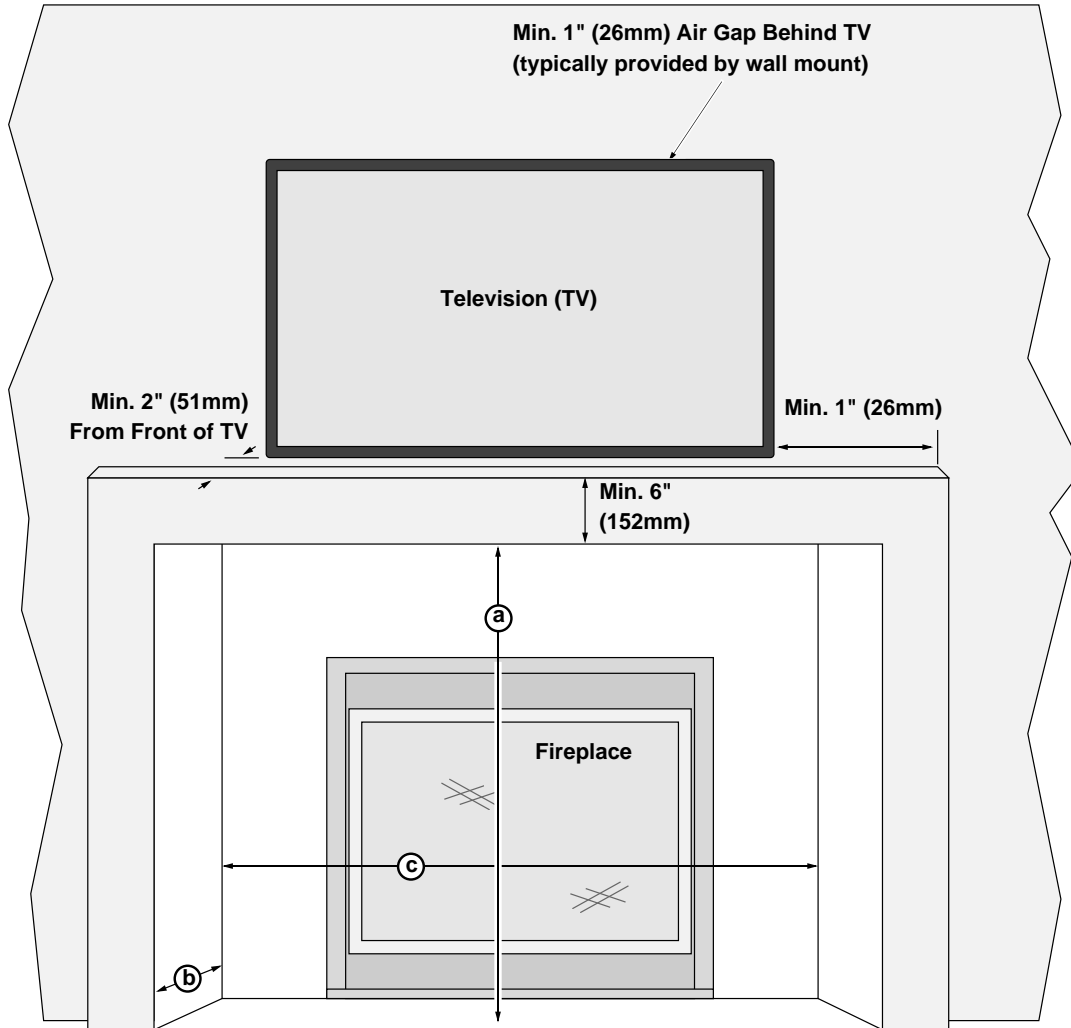
NOTE: The buildout must extend 2" in front of the TV and 3" to both sides and top. If you have a TV that is greater than 8" deep (including the 1" gap behind), you will need to alter the buildout depth and height.

WIRING NOTE: If running wiring into the enclosure, use thermal insulating wrap around the wiring. Secure the wiring to protect from contact with hot surfaces.

Using a Buildout Below a Television

IMPORTANT NOTE REGARDING TELEVISIONS AND THIS FIREPLACE

Most television manufacturers instruct the homeowner to not place the television above a heat source. Doing so may negatively affect the longevity of the television and may negate the warranty. If you do place a television above the fireplace, please be aware of the large amount of heat generated by the fireplace and consider placing the television above a mantel to reduce the amount of heat that reaches the television. The homeowner must understand that Travis Industries does not take responsibility for any negative impact to televisions placed near this fireplace.



Minimum Dimensions:

(a) Minimum Buildout Height above Base of Fireplace*	47" (1194mm) with 10" (254mm) buildout depth
(b) Minimum Buildout Depth*	Minimum 10" (254mm)*
(c) Fireplace Buildout Width	60.25" (1531mm)

*** Buildout depth is 10" minimum to allow heat to travel forward and dissipate. If using more than an 10" buildout, make sure to make the buildout height (a) higher (buildout must meet mantel requirements - see page 42 for details).**

NOTE: The buildout must extend 2" in front of the TV and 3" to both sides and top. If you have a TV that is greater than 8" deep (including the 1" gap behind), you will need to alter the buildout depth and height.

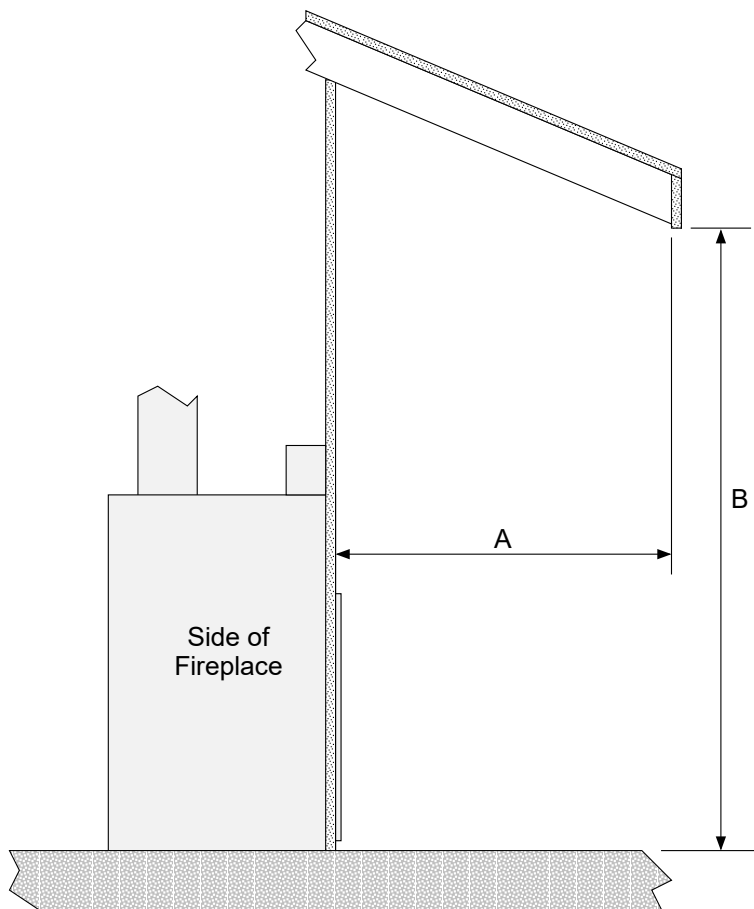
WIRING NOTE: If running wiring into the enclosure, use thermal insulating wrap around the wiring. Secure the wiring to protect from contact with hot surfaces.

Outdoor fireplace installations

Travis Industries Inc. gas-fired fireplaces are suitable for installation into outdoor areas protected from direct water impingement. In addition to maintaining listed mantel and combustibles clearances, a rain protection overhang factor of 1/2 shall be constructed to the front and to each side of installed appliances (see the illustration to the right). All wiring connections to line power shall be in accordance with outdoor requirements of NECA NFPA 70.

Warnings Regarding Tempered Glass

This fireplace uses tempered glass which is susceptible to thermal shock. Take care to prevent water from contacting the fireplace, especially if it is hot.



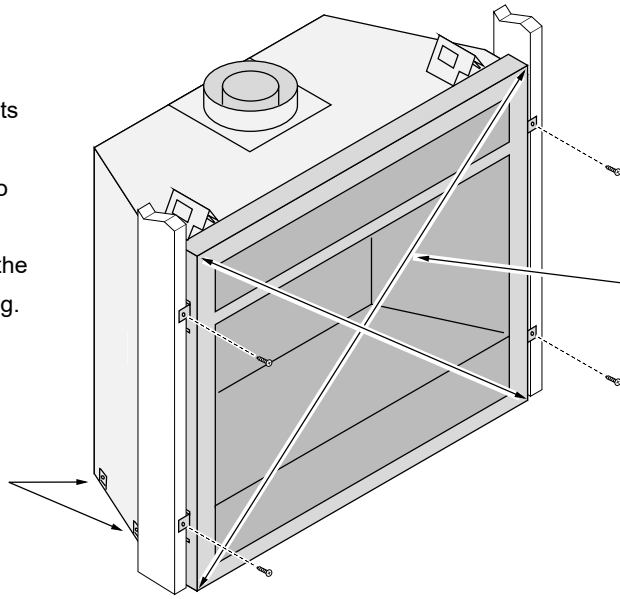
The overhang (A) must extend at least 1/2 the roofline height (B). Height is measured from the base of the fireplace.

For example: if the roofline (B) is 8' above the base of the fireplace, the overhang (A) must be at least 4'.

Nailing Brackets

There are four nailing brackets on the front of the fireplace. Follow the directions below to prepare the nailing brackets. Once in place, nail or screw the nailing brackets to the framing.

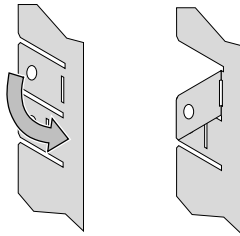
NOTE: Additional nailing brackets are provided along the base of the fireplace. Use these brackets if not using the front brackets.



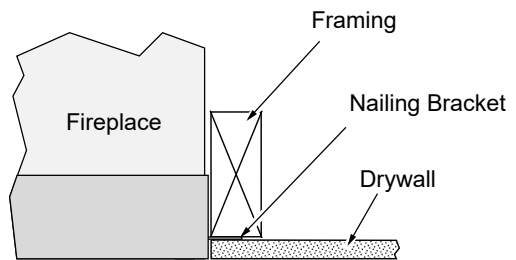
WARNING: Make sure the fireplace is square and plumb when placed in the framing. Measured corner-to-corner, the fireplace should be square (approx. 47-1/8" (1197mm) for each dimension). Use shims to insure the fireplace is square.

1/2" (13mm) Drywall

For installations using 1/2" (13mm) drywall fold the larger tab out 90° (use a screwdriver if necessary).

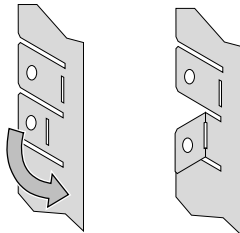


TOP VIEW

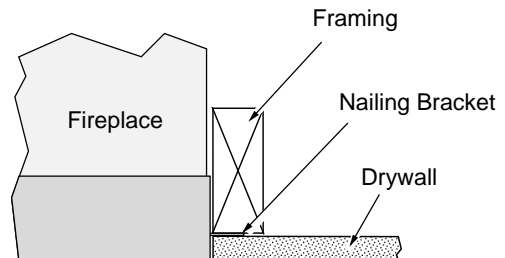


5/8" (16mm) Drywall

For installations using 5/8" (16mm) drywall fold the shorter tab out 90° (use a screwdriver if necessary).

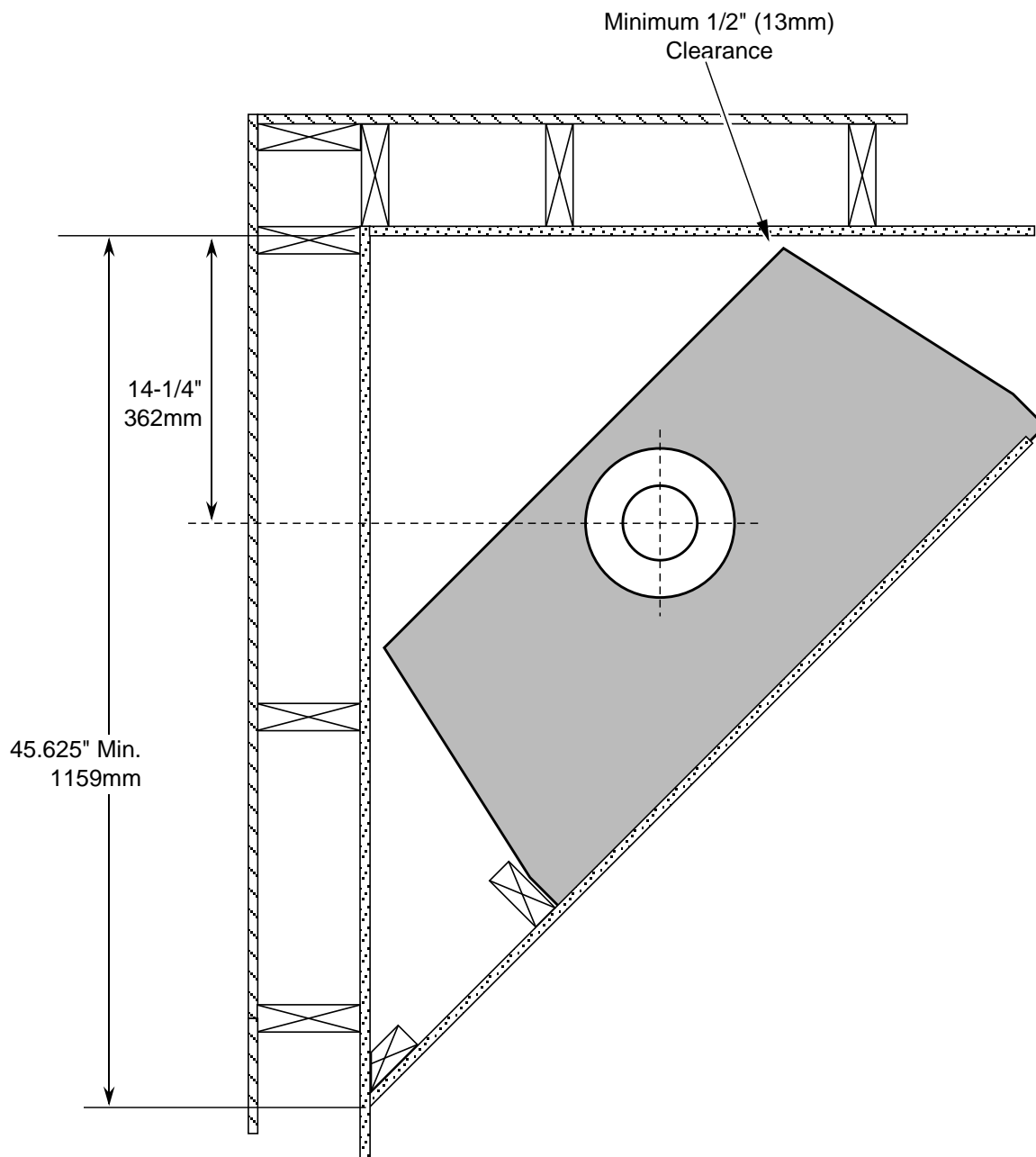


TOP VIEW



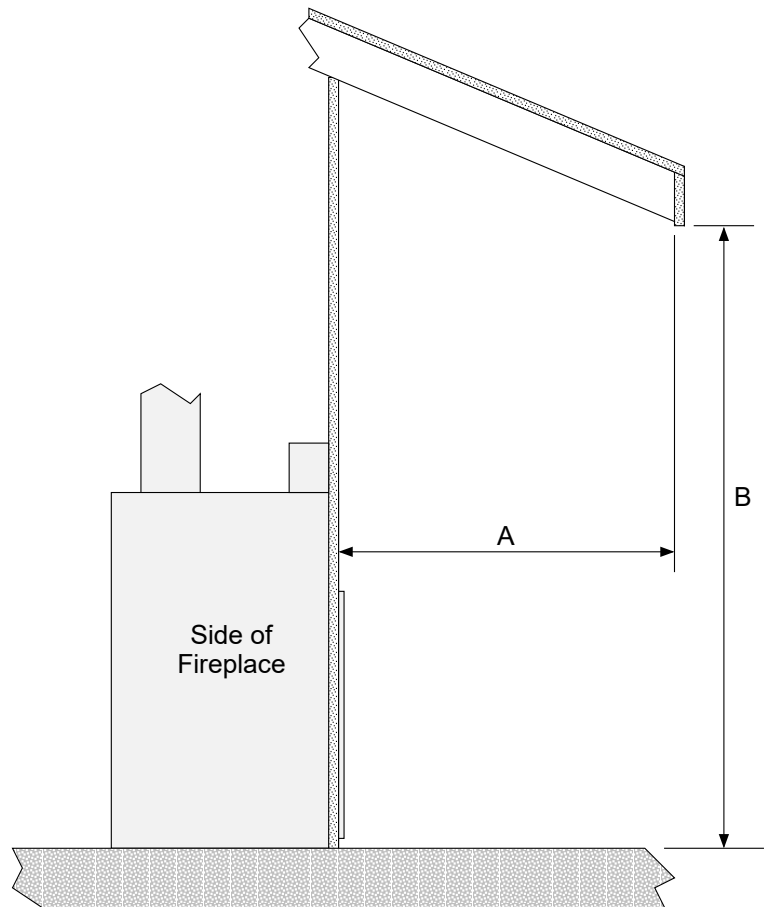
Corner Installations

A typical 45° installation uses the framing dimensions shown in the illustration below (NOTE: all clearances still apply).



Outdoor Fireplace Installations

Travis Industries Inc. gas-fired fireplaces are suitable for installation into outdoor areas protected from direct water impingement. In addition to maintaining listed mantel and combustibles clearances, a rain protection overhang factor of 1/2 shall be constructed to the front and to each side of installed appliances (see the illustration to the right). All wiring connections to line power shall be in accordance with outdoor requirements of NECA NFPA 70.



The overhang (A) must extend at least 1/2 the roofline height (B). Height is measured from the base of the fireplace.

For example: if the roofline (B) is 8' above the base of the fireplace, the overhang (A) must be at least 4'.

Gas Line Requirements

MASSACHUSETTS INSTALLATIONS - **WARNING:**

THIS PRODUCT MUST BE INSTALLED BY A LICENSED PLUMBER OR GAS FITTER WHEN INSTALLED WITHIN THE COMMONWEALTH OF MASSACHUSETTS.

OTHER MASSACHUSETTS CODE REQUIREMENTS:

- Flexible connector must not be longer than 36 inches.
- Shutoff valve must be a "T" handle gas cock.
- Only direct vent sealed combustion products are approved for bedrooms or bathrooms.
- Fireplace dampers must be removed or welded in the open position prior to the installation of a fireplace insert or gas log.
- A carbon monoxide (CO) detector is required in the same room as the appliance.

- The gas line must be installed in accordance with all local codes and the requirements listed below. In the absence of local codes, follow ANSI 223.1 in US/Canada or AS/NZS 5601.1 in Australia.
- The fireplace and gas control valve must be disconnected from the gas supply piping during any pressure testing of that system at test pressures in excess of 1/2 psig (3.5 kPA). For pressures under 1/2 psig (kPA), isolate the gas supply piping by closing the manual shutoff valve.
- Leak test all gas line joints and the gas control valve prior to and after starting the fireplace.

Fuel

- This fireplace is designed either for natural gas or for propane (but not for both). Check the sticker on the top of the gas control valve to make sure the correct fuel is used.

Gas Line Connection

- Installation must be performed by a qualified installer, service agency or the gas supplier (In Massachusetts a licensed plumber/gasfitter).
- The gas inlet accepts 1/2" MPT.

Gas Inlet Pressure

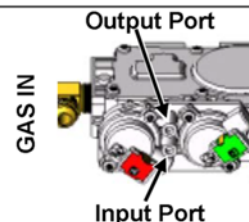
Gas Pressure	Max. Input Pressure	Min. Input Pressure	Max. Manifold Pressure	Min. Manifold Pressure
Natural Gas	7" W.C. (1.74 kPA)	5.5" W.C. (1.37 kPA)	3.5" W.C. (0.87 kPA)	1.6" W.C. (0.40 kPA)
Propane	13" W.C. (3.23 kPA)	11" W.C. (2.74 kPA)	11" W.C. (2.74 kPA)	2.9" W.C. (0.72 kPA)

- If the pressure is not sufficient, make sure the piping used is large enough, the supply regulator is adequately adjusted, and the total gas load for the residence does not exceed the amount supplied.
- The supply regulator (the regulator that attaches directly to the residence inlet or to the propane tank) should supply gas at the suggested input pressure listed above. Contact the local gas supplier if the regulator is at an improper pressure.

Directions for Connecting a Gas Pressure Test Gauge

The gas control valve (shown to the right) has two test ports for testing input (line pressure) and output (manifold) pressure. Loosen the brass screw on either test port and place a 5/16" i.d. rubber or plastic tube over the tapered test port. Connect the tube to the test gauge.

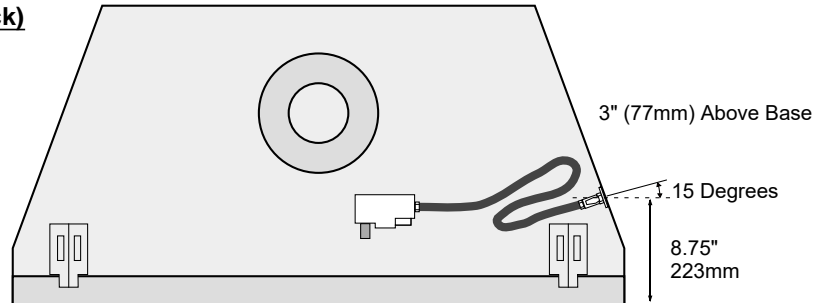
WARNING: The brass screw must be tightened after testing to prevent gas leakage.



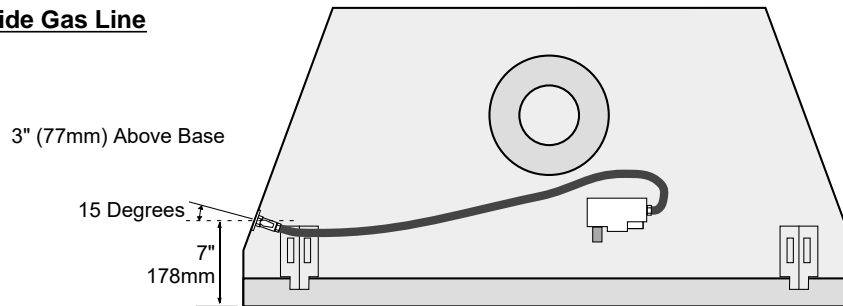
Gas Line Location

NOTE FOR RIGID PIPE: When using rigid pipe, you may wish to disconnect the shutoff valve from the fireplace and route the pipe through the fireplace wall. First, disconnect the gas line from the shutoff valve (see step 1 below). Then remove the shutoff valve from the cover plate (4 screws outside fireplace). The pipe may be routed through the cover plate and the shutoff valve and gas line may be re-attached inside the fireplace.

Right Side Gas Line (Stock)



Left Side Gas Line

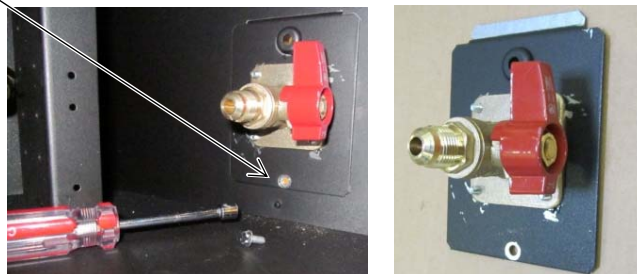


Converting Gas Line to the Left Side

1. Disconnect the gas line from the shutoff valve (3/4" wrench). Gas line is located inside the fireplace on the right side.



2. Remove the screw that holds the shutoff valve plate in place (1/4" nutdriver). Remove the shutoff valve plate.

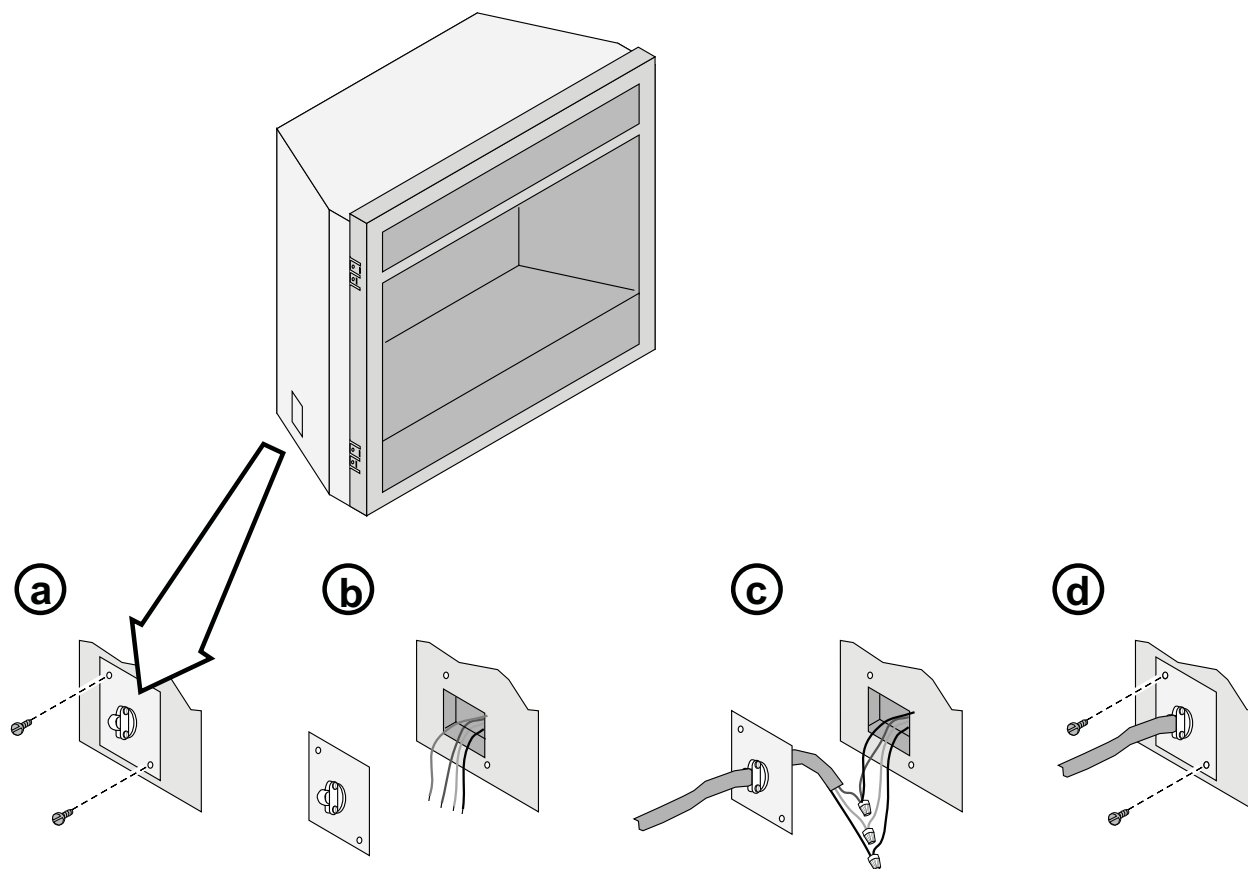


3. Remove the cover plate from the left side of the fireplace (it is held in place in the same fashion as the shutoff valve plate). Attach it to the right side of the fireplace.
4. Attach the shutoff valve plate to the left side of the fireplace. Route the gas line to the left side and re-attach the gas line to the shutoff valve. Make sure to leak test the entire gas line.

Electrical Connection (required)

- The electrical line to the grounded receptacle inside the fireplace must be installed by a qualified installer and must meet all local codes.
- Make sure the household breaker is shut off prior to working on any electrical lines.
- The appliance, when installed, must be electrically grounded in accordance with local codes or, in the absence of local codes, with the National Electrical Code, ANSI/NFPA 70, or the Canadian Electrical Code, CSA C22.1.
- The electrical line must be a min. 14 gauge, and supply 120 Volts, 60 Hz (typical max amps: 5).

Caution: Label all wires prior to disconnection when servicing controls. Wiring errors can cause improper and dangerous operation.



Vent Requirements

- The gas appliance and vent system must be vented directly to the outside of the building, and never be attached to a chimney serving a separate solid fuel or gas-burning appliance. Each direct vent gas appliance must use its own separate vent system.
- In addition to the requirements listed here, follow the requirements provided with the vent.
- The fireplace must use the Travis Thimble (sku 250-02318) whenever the vent penetrates a wall. Other penetrations only require a 1" (25mm) clearance and may use a standard firestop (make sure the required 1" (25mm) clearance is met).

Drafting Performance

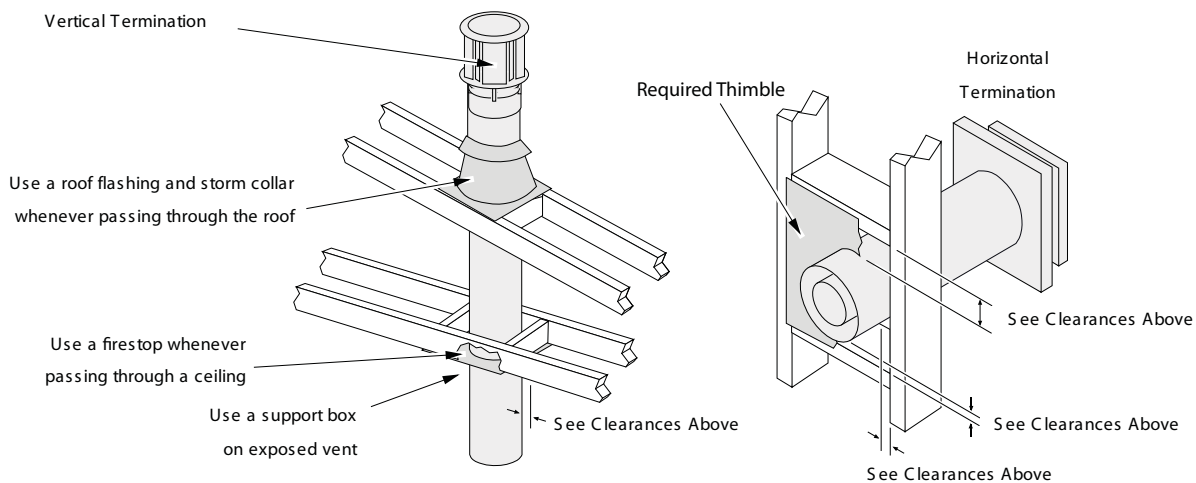
This direct vent appliance requires natural draft to operate (similar to a wood stove or other heating appliance). Draft can be adjusted using the included restrictor. The restrictor settings detailed in the manual should be followed (variations may occur depending upon installation parameters).

Many factors may negatively influence the draft of the appliance. Travis Industries will not be responsible for improper draft due to factors such as trees, hills, buildings, obstructions, excessive wind, extreme hot or cold outdoor temperatures, restrictive vent terminations, or influence from mechanical systems.

Vent Clearances

- The vent must maintain the required clearance to combustible materials to prevent a fire. Do not fill air spaces with insulation.

Sides	1" (25mm)
Above	4" (102mm)
Below	1" (25mm)



Altitude Considerations

- This heater has been tested at altitudes ranging from sea level to 6,000 feet (1800 M). In this testing we have found that the heater, with its standard orifice, burns correctly with just an air shutter adjustment.
- Failure to adjust the air shutter properly may lead to improper combustion which can create a safety hazard. Consult your dealer or installer if you suspect an improperly adjusted air shutter.

Approved Vent

- May use 6-5/8" if terminated vertically.
- Horizontal termination configurations use 8" (203mm) diameter Simpson Dura-Vent Model Direct-Vent Pro (or GS)*.

* Other vent may be approved with this fireplace. Check with the vent manufacturer for details.

- Vertical termination configurations use 8" (203mm) or 6-5/8" (168mm) diameter Simpson Dura-Vent Direct-Vent Pro (or GS)*.

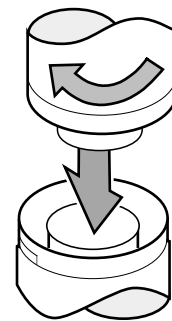
NOTE: Travis Industries strongly recommends using a 6-5/8" diameter vent when terminating vertically.

• **NOTE:** When using 6-5/8" (168mm) diameter vent, make sure to accommodate the 4" (102mm) clearance above the vent. Standard firestops do not include this clearance.

- Always use the high-wind cap (58DVA-HC, 58DVA-VCH, or 46DVA-VCH).
- Installation instructions for Simpson Dura-Vent may be found at www.duravent.com.
- Other vents may be approved.

Vent Installation

- Slide the vent sections together and turn 1/4 turn until the sections lock in place.
- Screws are not required to secure the vent. However, three screws may be used to secure vent sections together if desired.
- High temperature sealant is recommended at the appliance starter section connection (use high-temperature silicone or Mill-Pac®).
- If disassembly is required, at time of re-assembly check to see if the vent creates a tight fit. If it does not, apply high temperature sealant to the joints of the affected sections.
- Horizontal sections require a 1/4" (6mm) rise every 12" (305mm) of travel
- Horizontal sections require non-combustible support every three feet (e.g.: plumbing tape)
- Vent termination must not be located where it can become plugged by snow or other material.
- Use the vinyl siding standoff when installing on a structure with vinyl siding.
- Venting termination shall not be recessed into a wall or siding.



Approved Vent Configurations

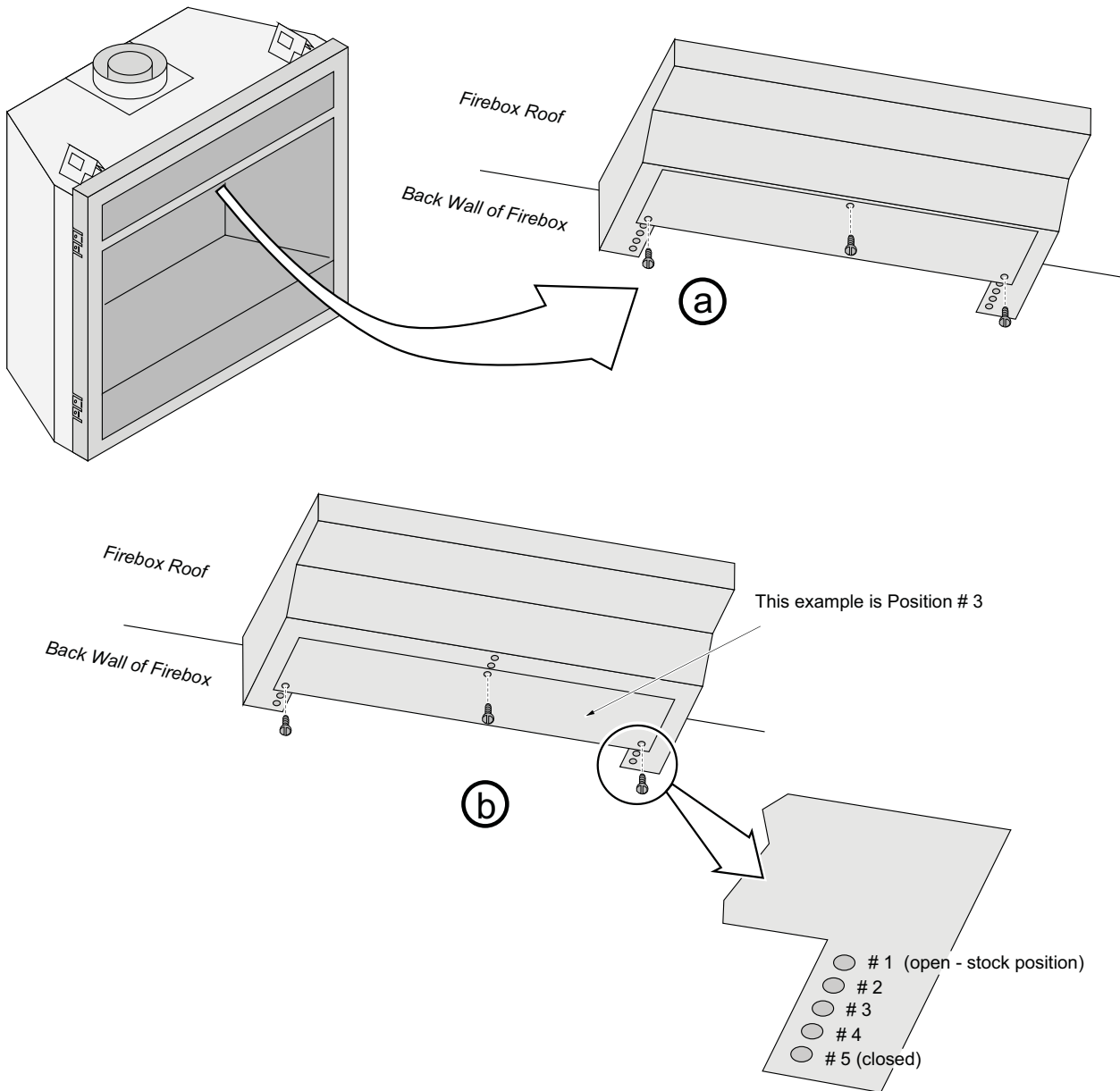
Restrictor Position

- Intake and exhaust restrictors are built into the appliance to adjust the flow rate of intake air and exhaust gases. Depending upon the vent configuration, you may be required to adjust the restrictor positions. The charts for acceptable vent configurations detail the correct restrictor positions.

Exhaust Restrictor Adjustment

The exhaust restrictor is shipped in position "1". If the restrictor is required in a different position, remove the screws, re-position the restrictor (see "A" below), and replace the screws.

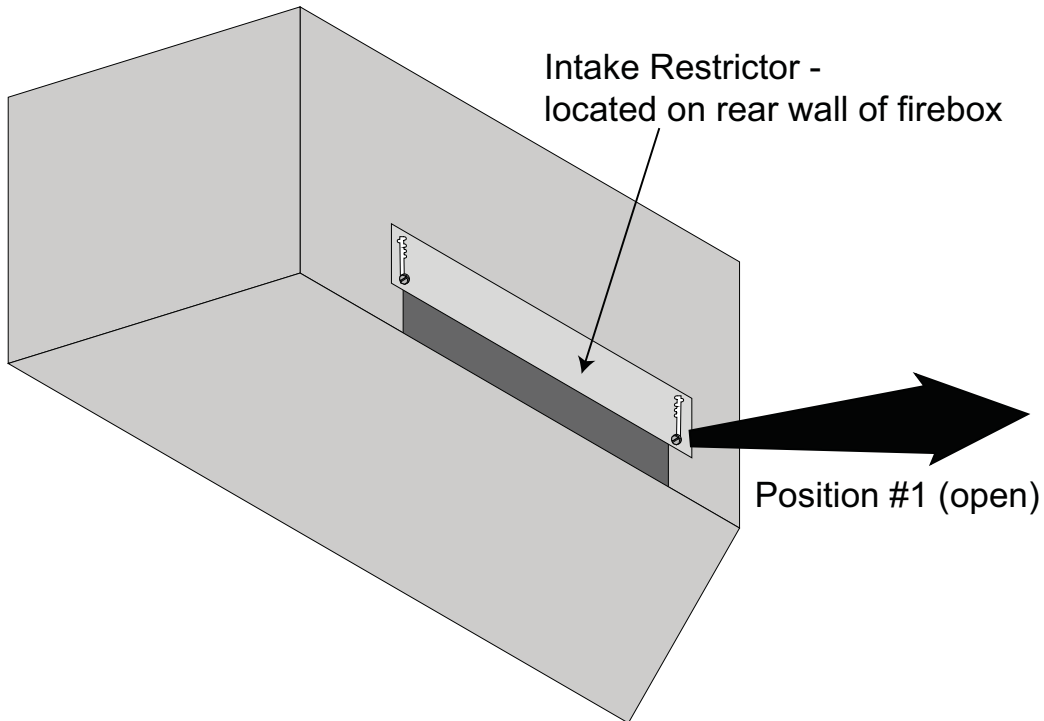
In the example "B" below, the restrictor is set in position #3.



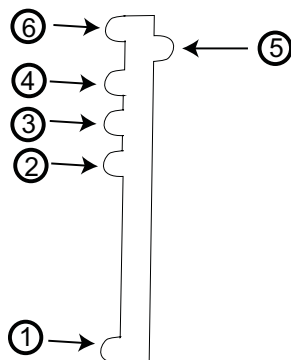
Intake Restrictor Adjustment

The intake restrictor is shipped with the burner. See the burner installation instructions for details on installing this component.

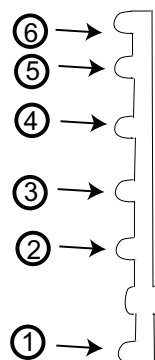
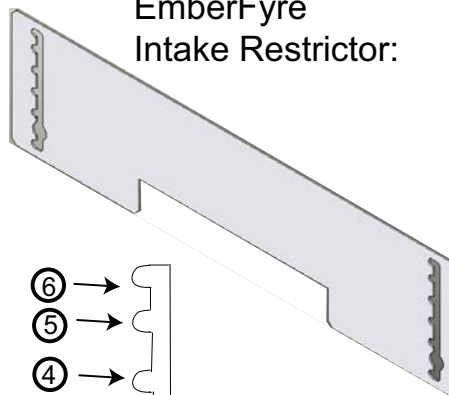
Make sure to adjust the intake restrictor to the position indicated on the vent configuration page. To adjust the restrictor, loosen the two screws securing the restrictor to the firebox and slide it to the correct position as shown below.



Dancing/DiamondFyre
Intake Restrictor:



EmberFyre
Intake Restrictor:

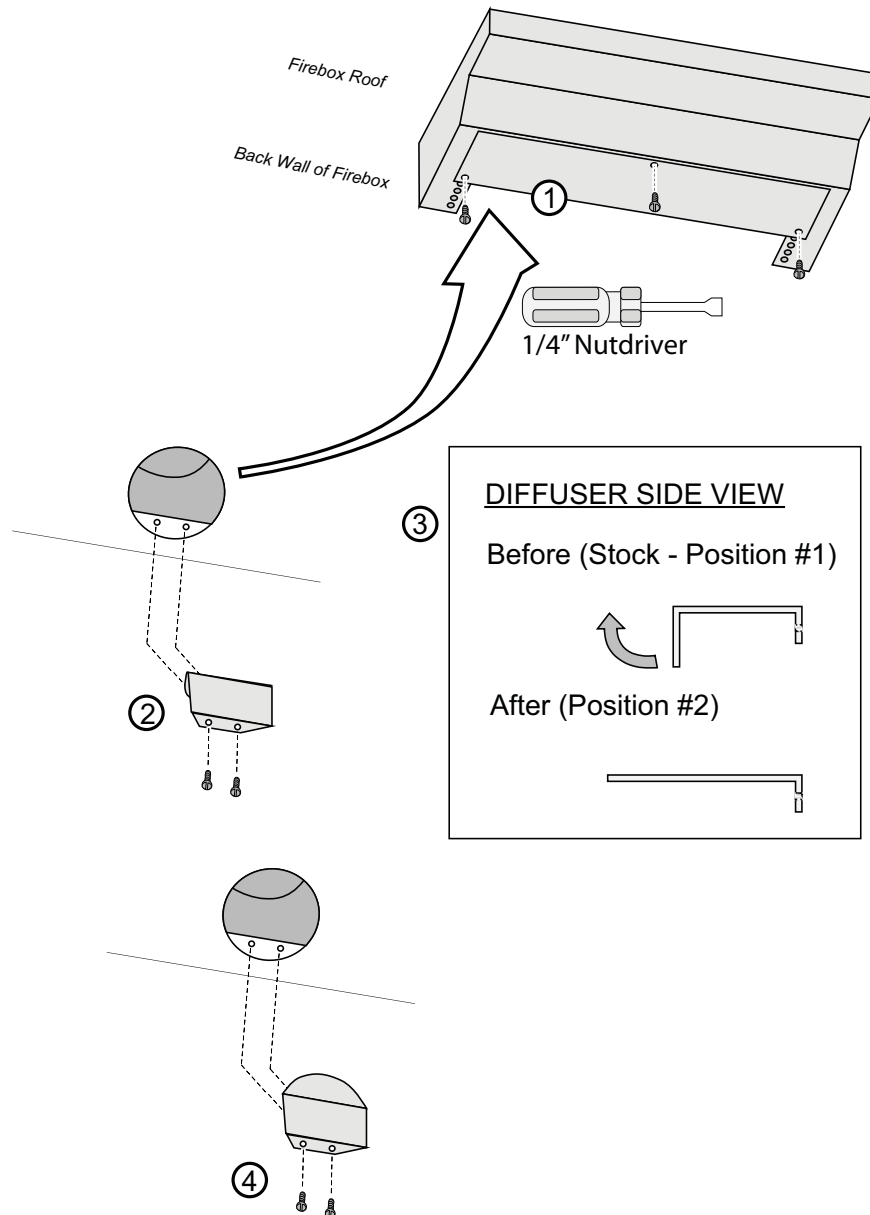


Diffuser Plate Adjustment

Certain vent configurations require the diffuser plate to be adjusted (refer to the approved vent configuration charts for details). Position # 1 is stock (bent). Position # 2 is flattened.

Change the diffuser to position #2 as follows:

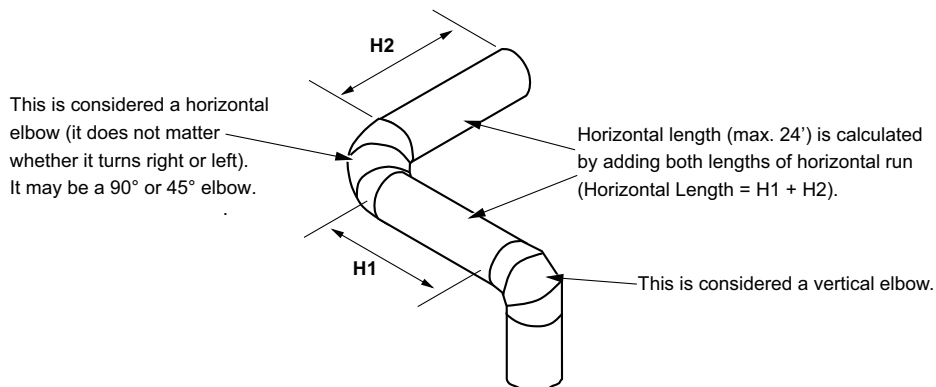
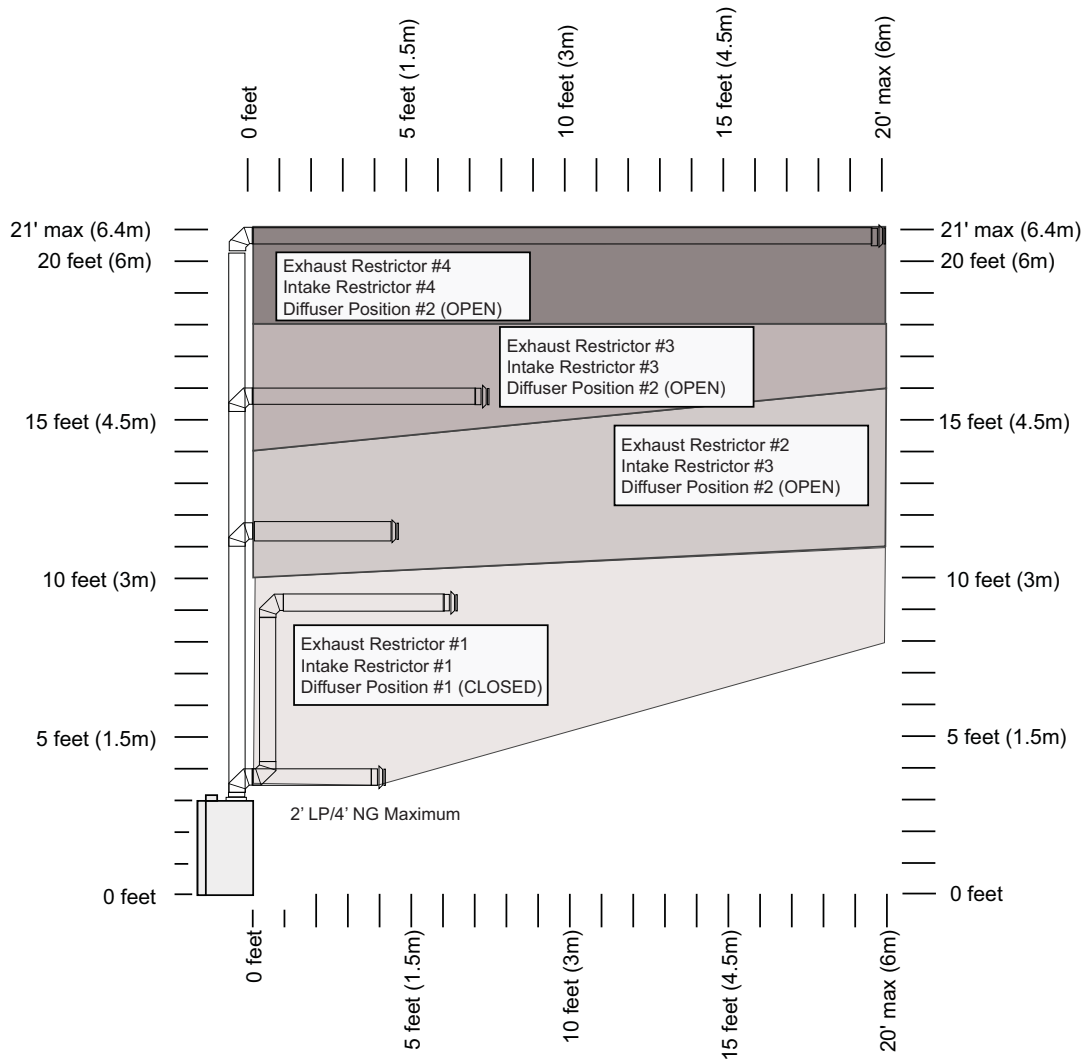
1. The diffuser is located above the exhaust restrictor (remove the restrictor if necessary).
2. Remove the diffuser.
3. Bend the round portion of the diffuser so it is flat (position #2).
4. Secure the flattened diffuser plate with the screws removed earlier.
5. Replace the exhaust restrictor. See "Exhaust Restrictor Adjustment" for the restrictor settings.



Vent Configurations with Horizontal Termination (EmberFyre Burner only)

- The termination must fall within the shaded area shown in the chart. Use the indicated restrictor and diffuser positions.
- Up to four elbows (45° or 90°) may be used.
- Only one horizontal elbow may be used.

NOTE: With no vertical rise, LP installations have a maximum run of 2 feet (0.6m); NG installations have a maximum run of 4 feet (1.2m).

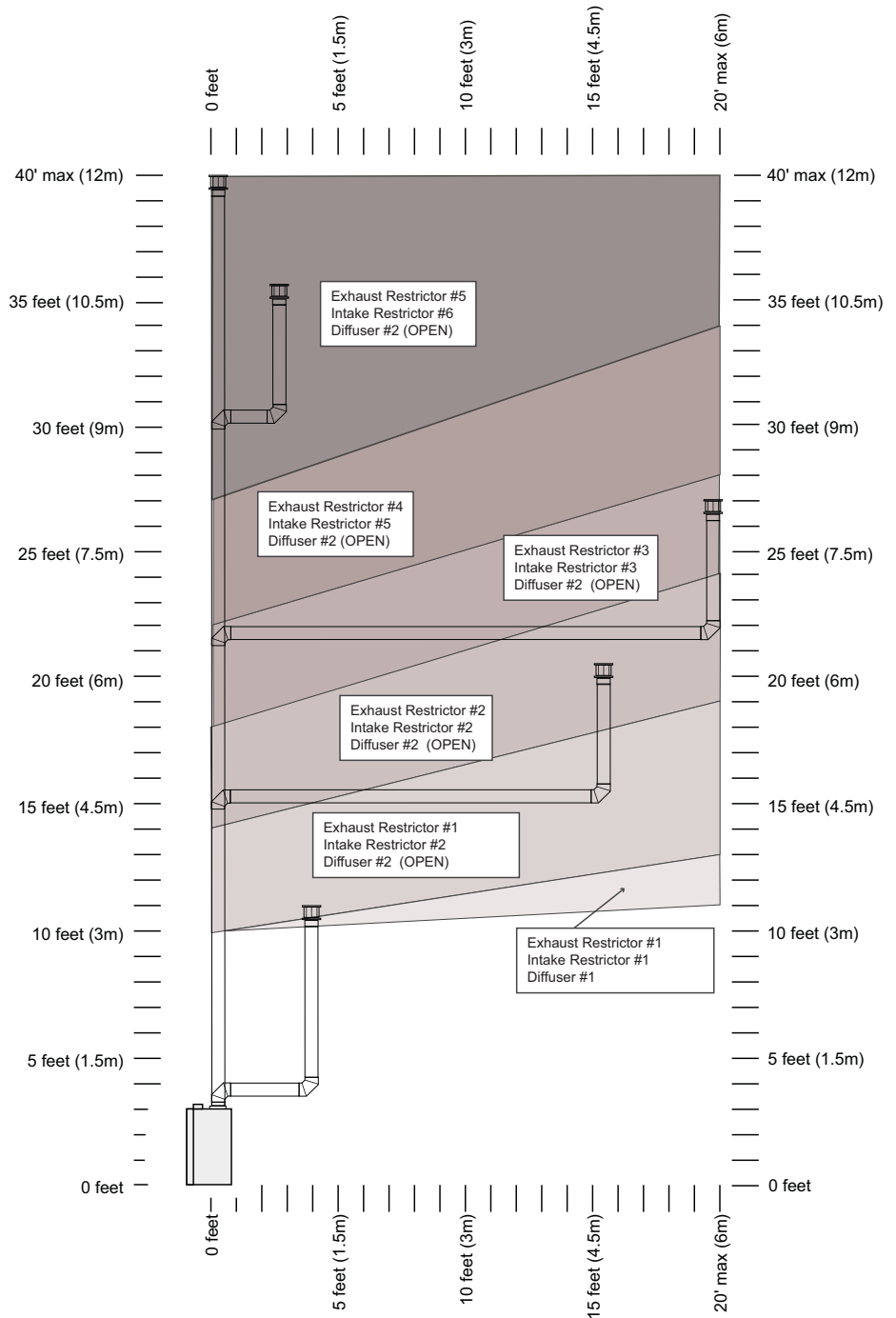
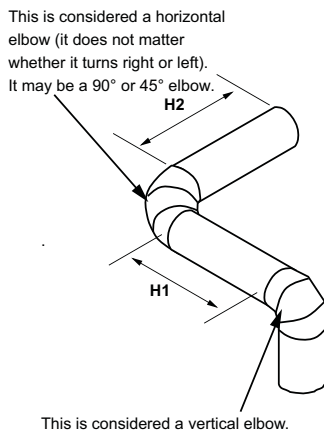


Vent Configurations with Vertical Termination (EmberFyre Burner only)

NOTE: Travis Industries strongly recommends using a 6-5/8" diameter vent when terminating vertically.

- The termination must fall within the shaded area shown in the chart. Use the indicated restrictor and diffuser positions.
- Up to four elbows (45° or 90°) may be used.
- Only one horizontal elbow may be used.

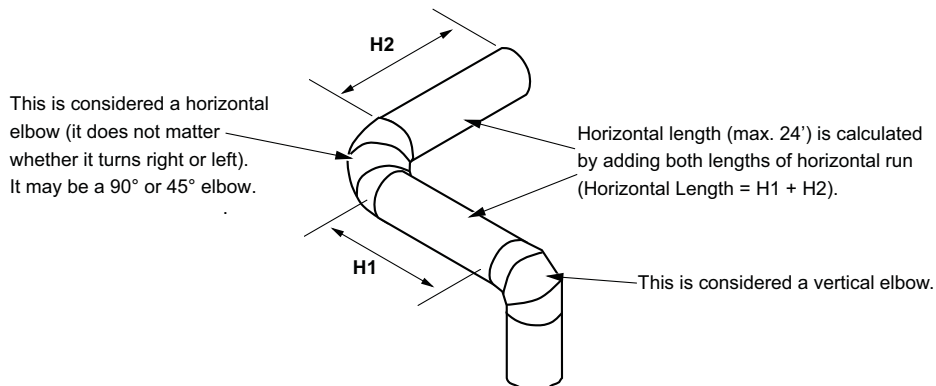
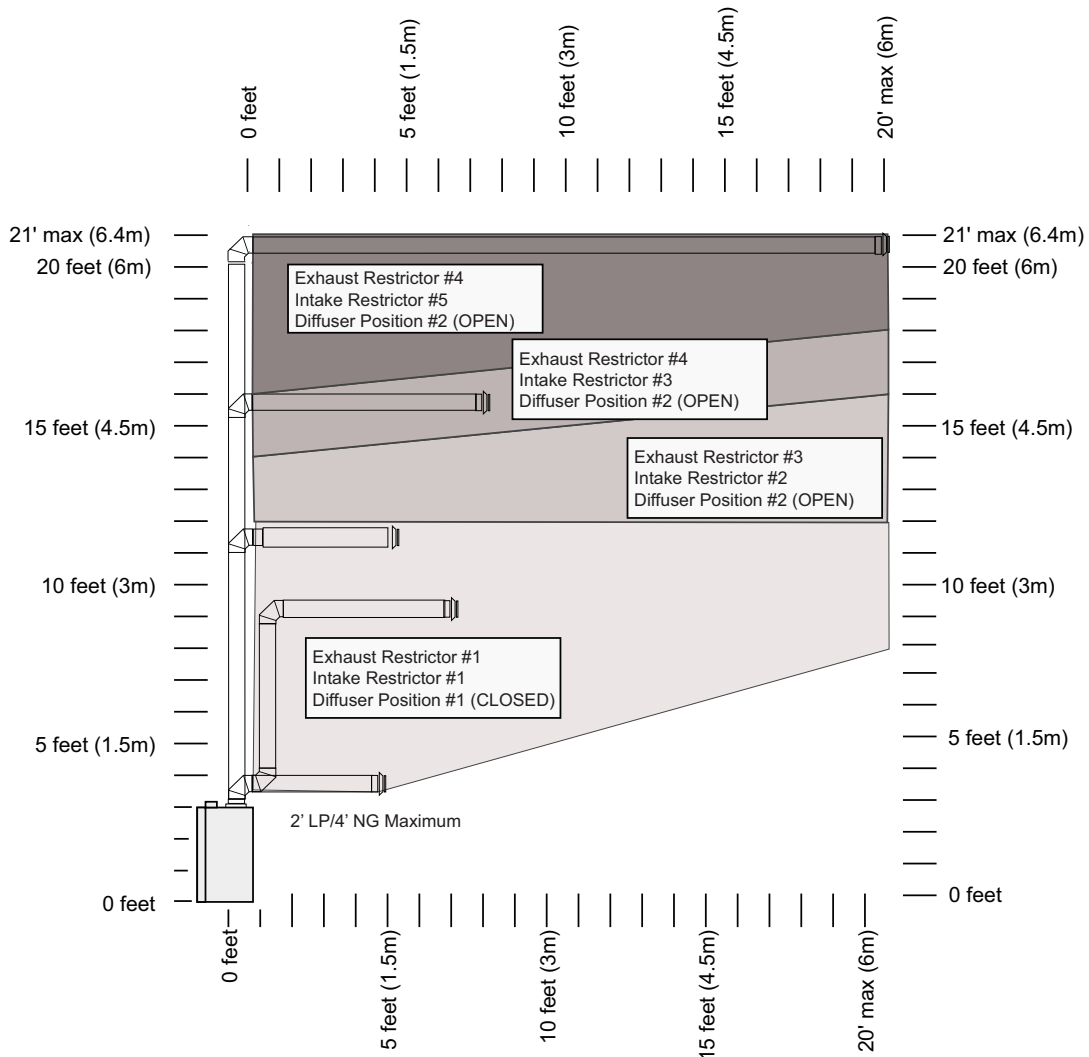
Horizontal length (max. 24') is calculated by adding both lengths of horizontal run (Horizontal Length = H1 + H2).



Vent Configurations with Horizontal Termination (Dancing/DiamondFyre)

- The termination must fall within the shaded area shown in the chart. Use the indicated restrictor and diffuser positions.
- Up to four elbows (45° or 90°) may be used.
- Only one horizontal elbow may be used.

NOTE: With no vertical rise, LP installations have a maximum run of 2 feet (0.6m); NG installations have a maximum run of 4 feet (1.2m).

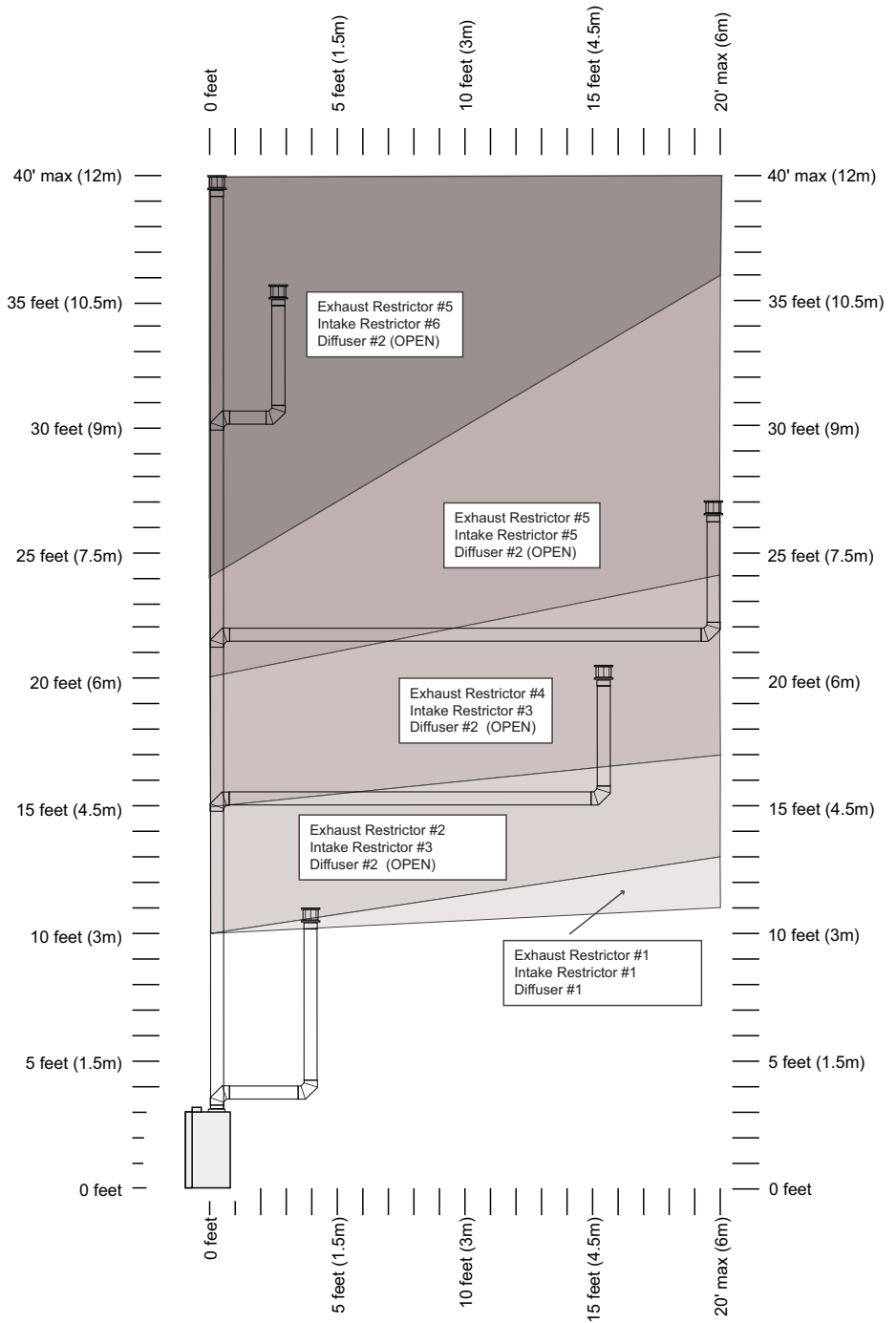
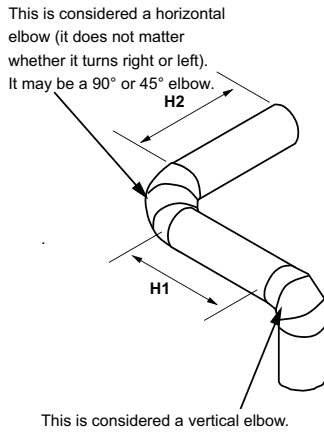


Vent Configurations with Vertical Termination (Dancing/DiamondFyre)

NOTE: Travis Industries strongly recommends using a 6-5/8" diameter vent when terminating vertically.

- The termination must fall within the shaded area shown in the chart. Use the indicated restrictor and diffuser positions.
- Up to four elbows (45° or 90°) may be used.
- Only one horizontal elbow may be used.

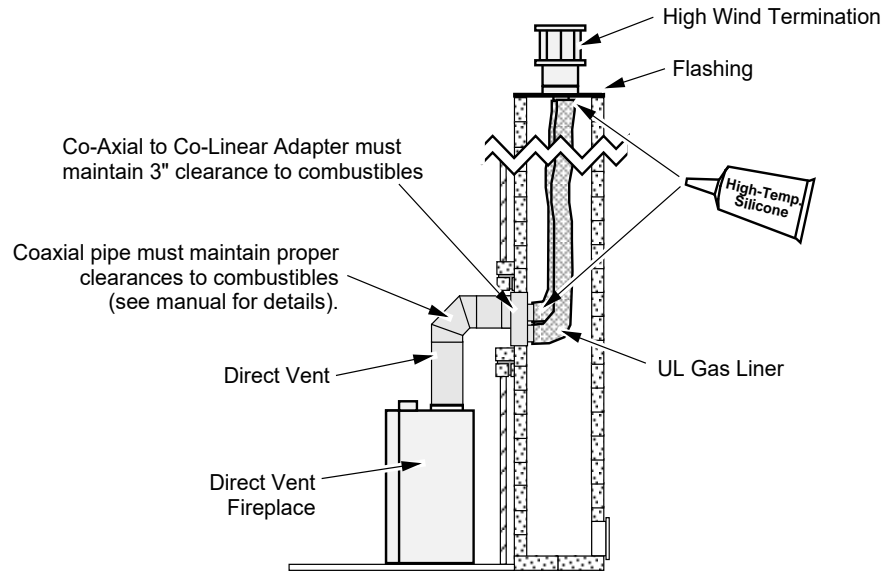
Horizontal length (max. 24') is calculated by adding both lengths of horizontal run (Horizontal Length = H1 + H2).



Masonry Chimney Conversions

This appliance may utilize 6-5/8" diameter direct vent manufactured by Duravent (reducer may be required). The vent may be adapted to utilize an existing masonry fireplace using the Duravent Co-Linear Adapter (46DVA-GCL or TCL). The vent must be installed following all directions included with the vent and those listed below:

- All requirements in the appliance manual must be met. This includes compliance with vent configuration charts.
- The restrictor position should be set to the position that most closely resembles the vent configuration. NOTE: because this installation utilizes non-standard vent, the restrictor position may vary. Carefully monitor the burn characteristics to verify correct restrictor position.
- The UL gas liner must only be run through the fireplace/chimney (entire length of liner must be retained within the fireplace/chimney). Do not run the liner near combustibles.



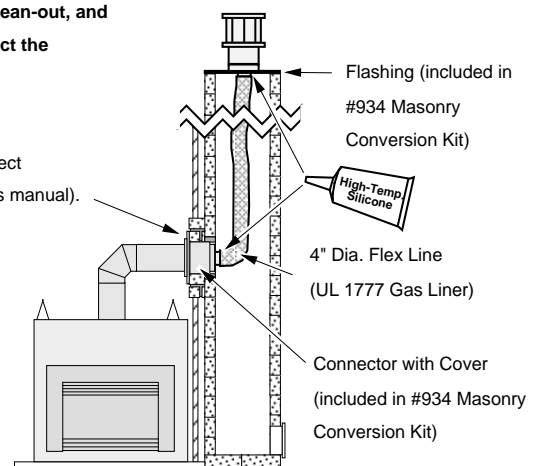
This appliance may utilize 6-5/8" diameter direct vent manufactured by Duravent (reducer may be required). The vent may be adapted to utilize an existing masonry fireplace using the Duravent Masonry Chimney Conversion Kit (part # 46DVA-KCT). The vent must be installed following all directions included with the vent and those listed below:

NOTE: Before proceeding with the following installation example, check with the local building jurisdiction to verify that this type of installation is allowed in your area.

- All requirements in the appliance manual must be met. This includes compliance with vent configuration charts.
- The restrictor position should be set to the position that most closely resembles the vent configuration. NOTE: because this installation utilizes non-standard vent, the restrictor position may vary. Carefully monitor the burn characteristics to verify correct restrictor position.
- The UL gas liner must only be run through the fireplace/chimney (entire length of liner must be retained within the fireplace/chimney). Do not run the liner near combustibles.

The entire chimney system must be air-tight.
Make sure to seal the flashing, clean-out, and thimble connection, and to inspect the chimney.

Make sure the coaxial pipe maintains the correct clearance to any combustible (see the owner's manual).
The vent must be sealed air-tight.



Class A Chimney Conversion

DuraVent provides a conversion kit for those wishing to use an existing class A chimney to vent this direct fireplace. The illustration below gives an overview of this type of installation. See the instructions included with the kit for details.

- All requirements in the appliance manual must be met. This includes compliance with vent configuration charts. Remember to set the restrictor position to the correct position (based upon the vertical rise height - see the vent charts in the appliance manual).
- These conversion kits does not work on interior masonry chimneys.
- The measurements below refer to the Chimney Inside Diameter

Chimney Conversion Kit A (46DVA-KCA)

6" DuraTech
6" Security Chimney
6" Metalbestos
6" Jackes-Evans
6" Hart & Cooley
6" Pro-Jet

Chimney Conversion Kit B (46DVA-KCB)

6" DuraPlus
7"-8" DuraTech
8" Security Chimneys
7"-8" Metalbestos
7"-8" Jackes-Evans
7"-8" Hart & Cooley
7"-8" Pro-Jet
6"-7" Amer. Metals
6"-7" Metal-Fab
6" Air-Jet

Chimney Conversion Kit C (46DVA-KCC)

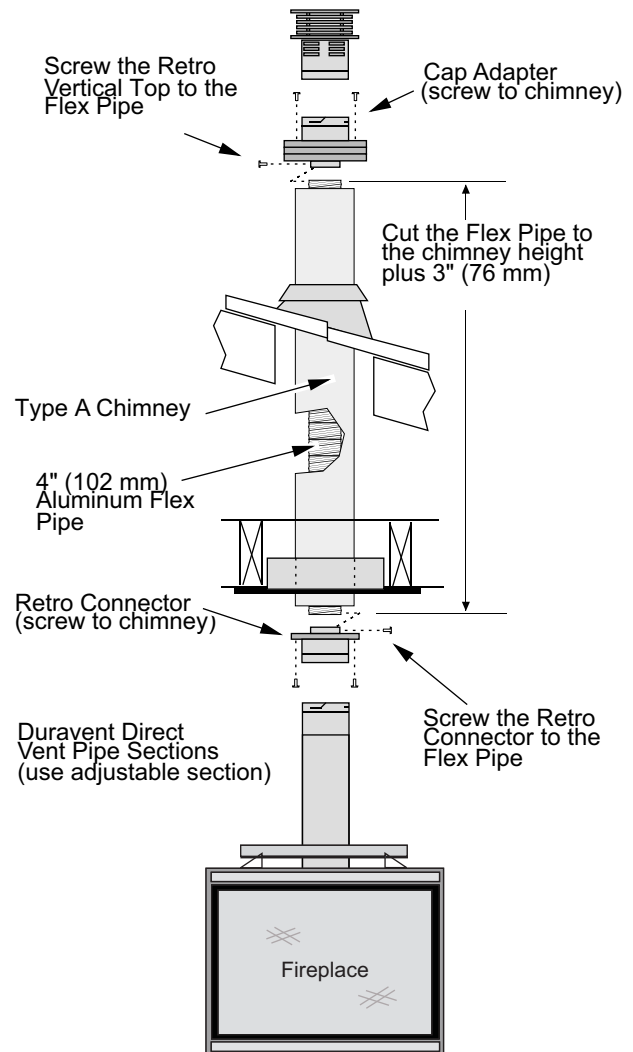
7"-8" DuraPlus
8" American Metals
8" Air-Jet
8" Metal-Fab

Each Kit Contains:

Cap Adapter
Retro Connector

Additional Required Equipment:

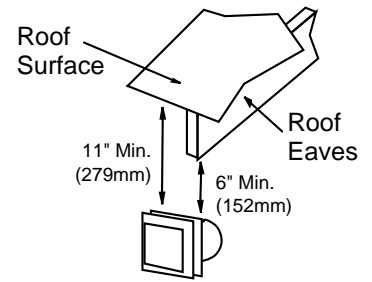
4" Flex (#711 or U.L. 1777)
Termination (46DVA-VCH)
Co-Axial Sections



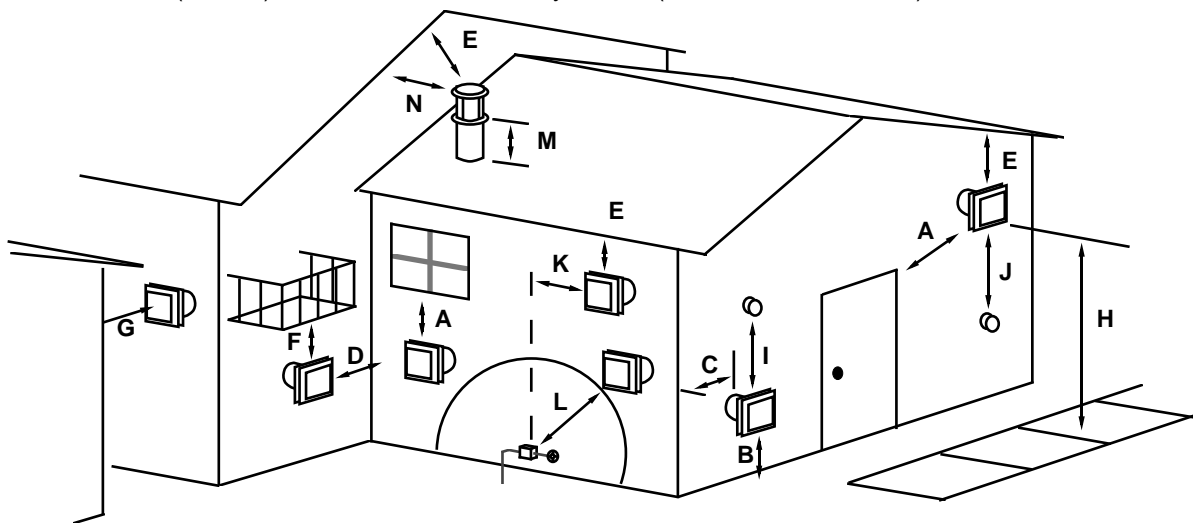
Termination Requirements

! Venting terminals shall not be recessed into a wall or siding.

- A Minimum 9" (229mm) clearance from any door or window
- B Minimum 12" (305mm) above any grade, veranda, porch, deck or balcony
- C Minimum 1" (25mm) from outside corner walls
NOTE: Clearance in accordance with local installation codes and the requirements of the gas supplier.
- D Minimum 1" (25mm) from inside corner walls
NOTE: Clearance in accordance with local installation codes and the requirements of the gas supplier.



- E Minimum 11" (279mm) clearance below unventilated soffits or roof surfaces.
Minimum 18" (457mm) clearance below ventilated soffits.
Minimum 6" (152mm) clearance below roof eaves.
NOTE: Vinyl surfaces require 24" (610mm)
NOTE: Clearance in accordance with local installation codes and the requirements of the gas supplier.
- F Minimum 12" (305mm) clearance below a veranda, porch, deck or balcony.
NOTE: Permitted only if veranda, porch, deck, or balcony is fully open on a minimum of two sides beneath the floor.
NOTE: Clearance in accordance with local installation codes and the requirements of the gas supplier.
- G Minimum 48" (1219mm) clearance from any adjacent building.
- H Minimum 84" (2134mm) clearance above any grade when adjacent to public walkways or driveways.
NOTE: may not be used over a walkway or driveway shared by an adjacent building.
- I Minimum 9" (229mm) clearance to any non-mechanical air supply inlet to the building or the combustion air inlet to any other appliance.
- J Minimum 36" (914mm) clearance above any mechanical air supply inlet if within 10' (3M) horizontally.
- K Minimum 36" (914mm) from the area above the meter/regulator (vent outlet) - this extends 15' (4.5M) above the regulator
NOTE: Clearance in accordance with local installation codes and the requirements of the gas supplier.
- L Minimum 36" (914mm) from the meter/regulator (vent outlet).
NOTE: Clearance in accordance with local installation codes and the requirements of the gas supplier.
- M Minimum 12" (305mm) above the roof line (for vertical terminations).
- N Minimum 24" (610mm) horizontal clearance to any surface (such as an exterior wall) – for vertical terminations.

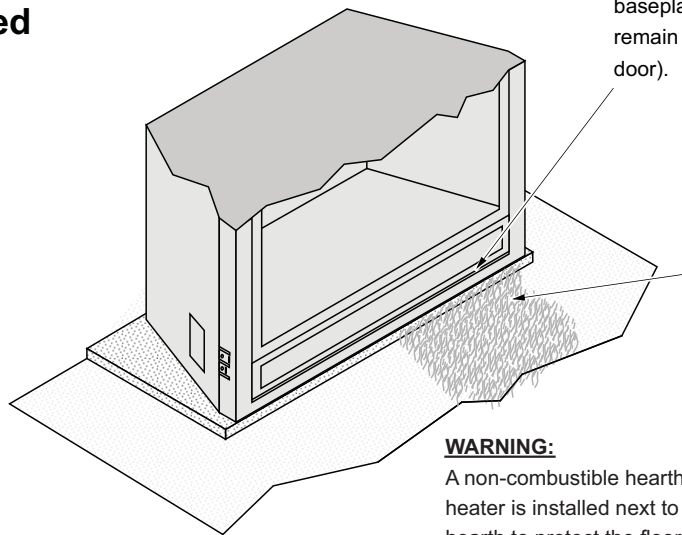


NOTE: Measure clearances to the nearest edge of the exhaust hood.

- Use the vinyl siding standoff when installing on an exterior with vinyl siding.
- Vent termination must not be located where it will become plugged by snow or other material

Hearth Requirements

Floor Mounted Fireplaces



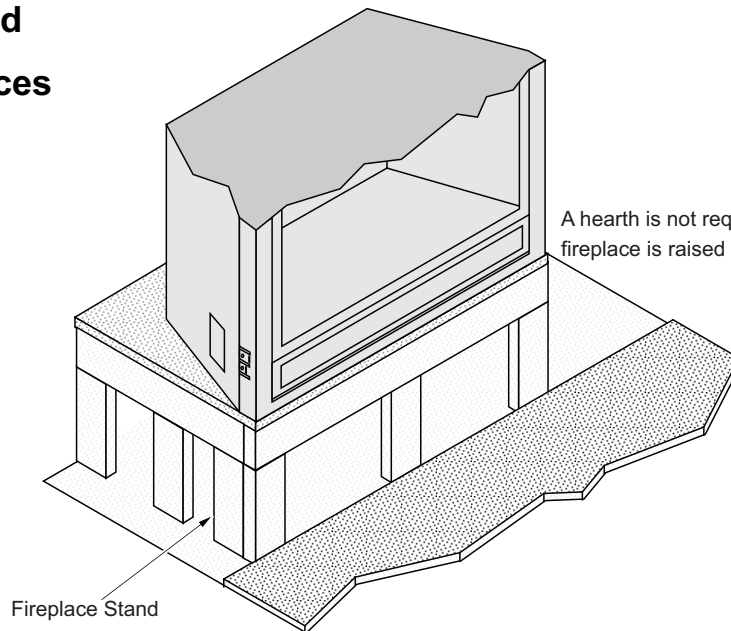
Do not build a hearth more than 1" (25mm) above the baseplate (this area must remain clear for the access door).

If installed near carpet or other combustible flooring, the fireplace must be raised so the base of the unit is above the carpet surface or flooring material.

WARNING:

A non-combustible hearth is not required. However, if the heater is installed next to the floor, we recommend a hearth to protect the flooring surface from discoloration or other negative impact from the heater.

Raised Fireplaces



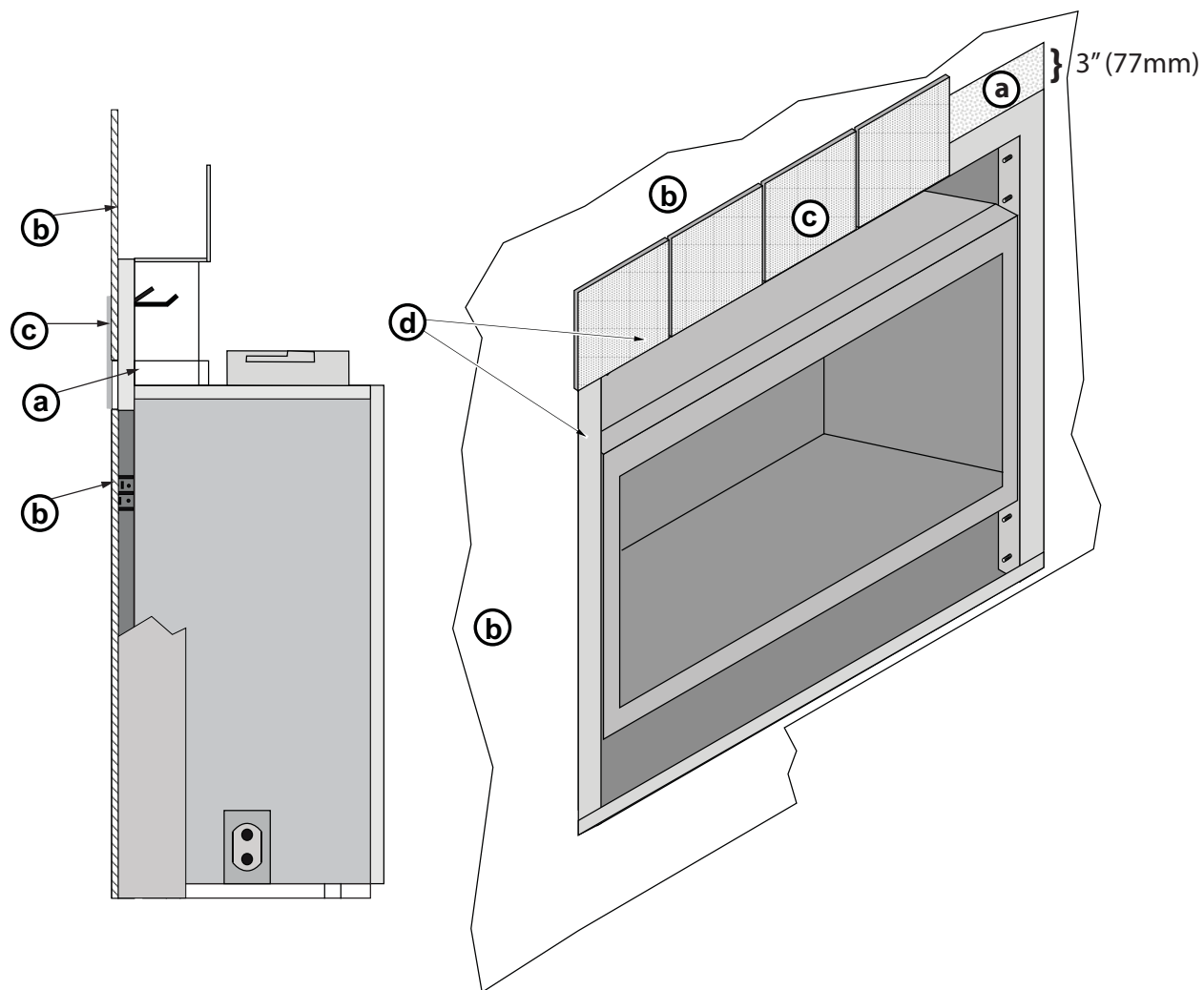
A hearth is not required when the fireplace is raised above the flooring surface.

Fireplace Stand

Facing Requirements

- The included fiber board is required and must remain attached to the fireplace (see “a” below).
- Non-combustible facing must extend 3” (77mm) above the face of the fireplace (see “c” below). Drywall or other combustible may not be placed on top of this non-combustible area.
- Drywall (or other combustible) may be placed above the non-combustible facing (see “b” below) and to the sides and below the fireplace face. This combustible facing must be a minimum 3” (77mm) above the face of the fireplace (see “b” below).
- Tile or other non-combustible facing may be placed along the perimeter of the fireplace face, but must not extend over the glass/grill opening (see “d”). This area must remain open to allow for glass frame removal and air flow.

Drywall Installation



(a) Fiber Board (included with fireplace)

(b) Drywall (or other combustible)

(c) Tile (or other non-combustible)

(d) Perimeter of Fireplace (may be covered)

Facing Overview



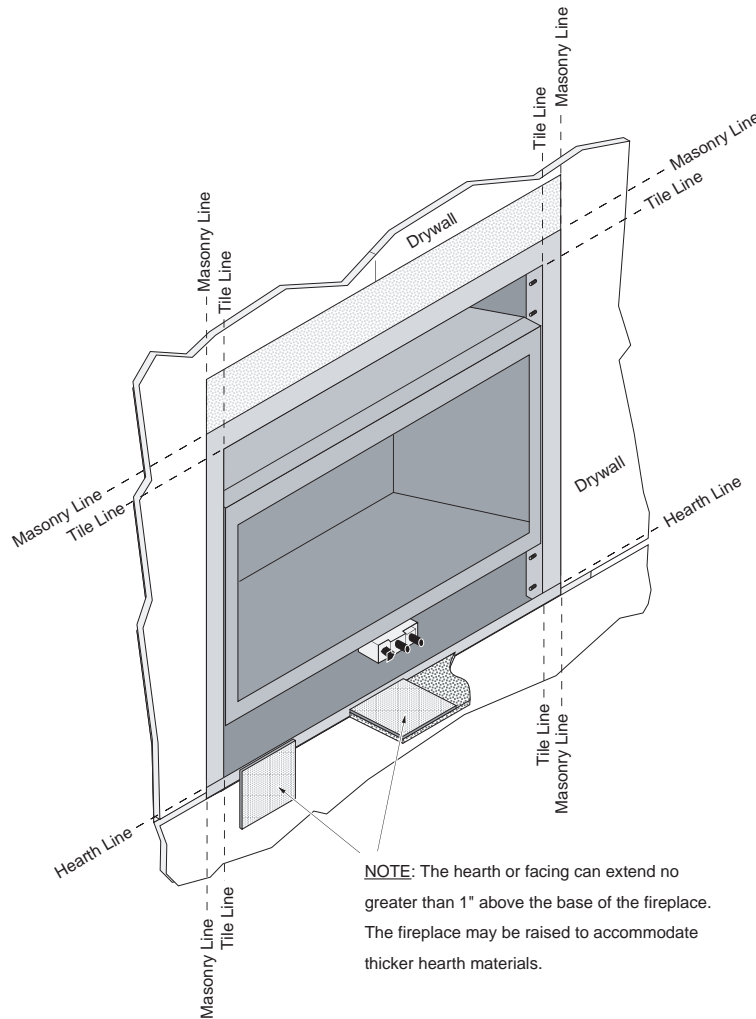
Upgrade faces are available for this fireplace and may influence facing installation. Consult with your Travis Dealer if you are using an upgraded face.

An optional non-combustible facing may be installed on the fireplace. Use the guidelines below to determine the location (also see the following pages for detailed diagrams).

Tile Line Any non-combustible facing under 1" (25mm) thick (see "Thin Facing" on page 37).

Masonry Line Any non-combustible facing over 1" (25mm) thick (see "Thick Facing" on page 39).

Hearth Line Non-combustible hearth/facing should be installed up to this location (1" (25mm) above the base of the fireplace). The fireplace may be raised to accommodate thicker hearth materials.



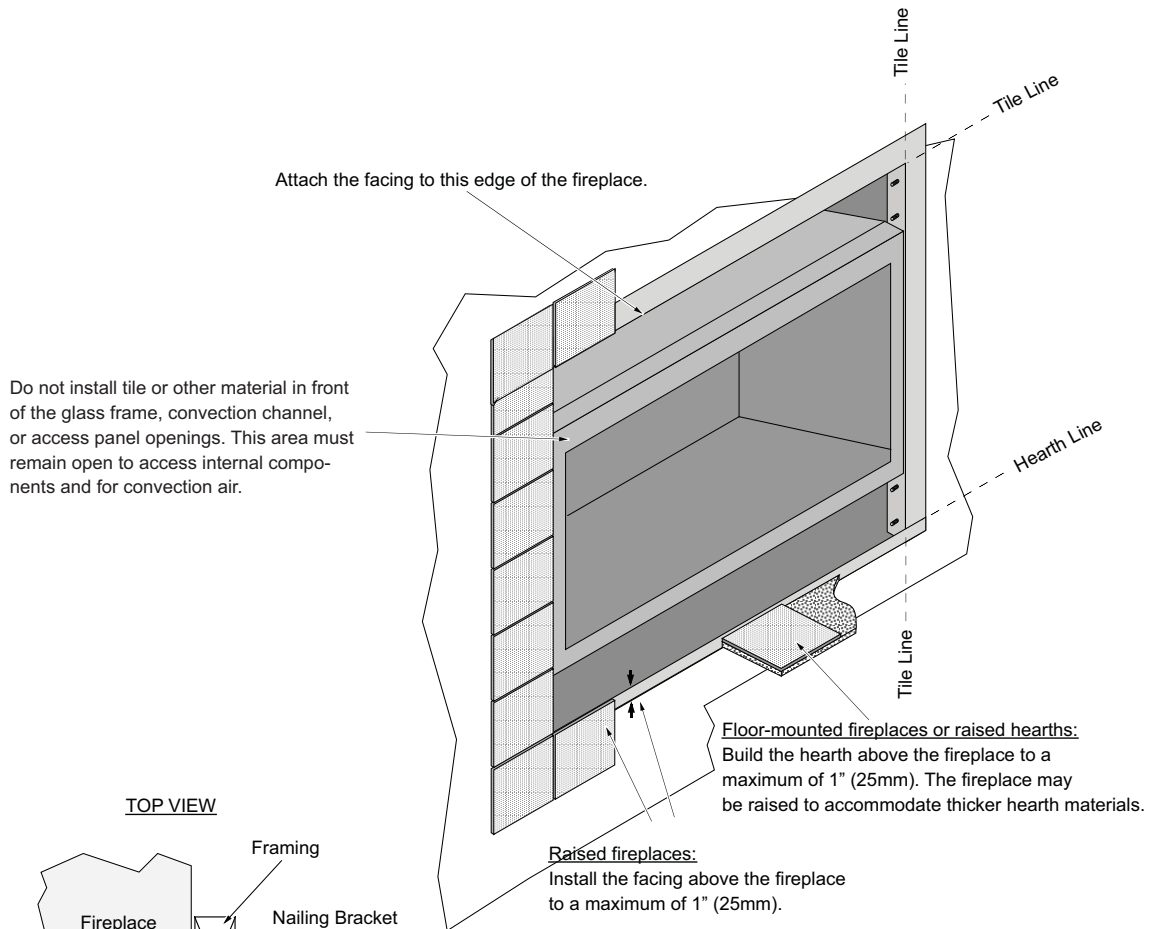
Optional Faceplates – Sizing Chart

Name	Height	Width	Notes
FPX Artisan, Classic, Fr Ctry	29" (737mm)	36" (914mm)	61" Radius – May fit over top of tile facing
Wilmington	29" (737mm)	36" (914mm)	May fit over top of tile facing
Victorian Lace	27-1/2" (699mm)	32-3/8" (822mm)	Optional facing will abut the edge of faceplate (tile line)
Bungalow, Tree of Life	27-1/2" (699mm)	32-3/8" (822mm)	Optional facing will abut the edge of faceplate (tile line)

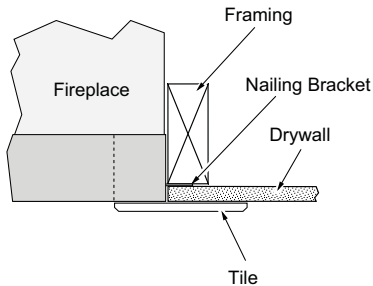
Thin Facing Installation (tile, marble, or other non-combustible under 1" (25mm) thick)



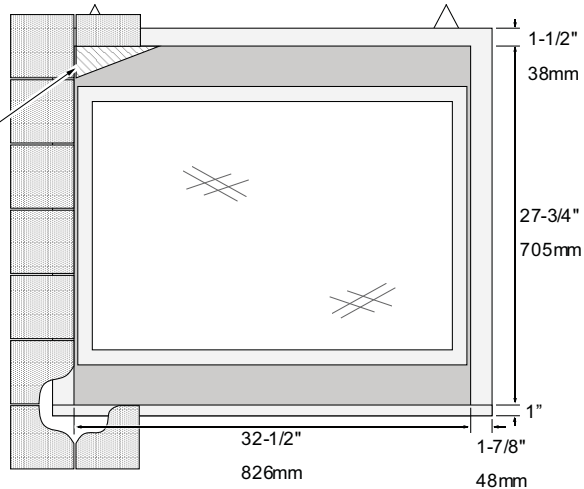
Upgrade faces are available for this fireplace and may influence facing installation. Consult with your Travis dealer if you are using an upgraded face.



TOP VIEW

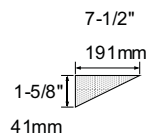


FRONT VIEW



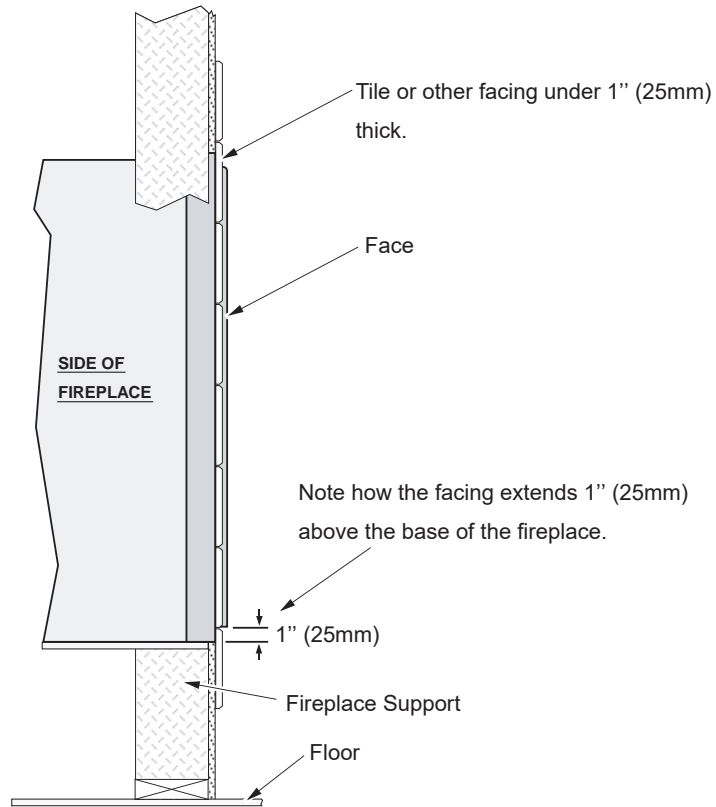
NOTE FOR FPX FACES:

FPX arched faces require the FPX Face Upgrade Kit (sku 98500683) and a triangular piece of facing in these upper corners. See the instructions included with the face for details.

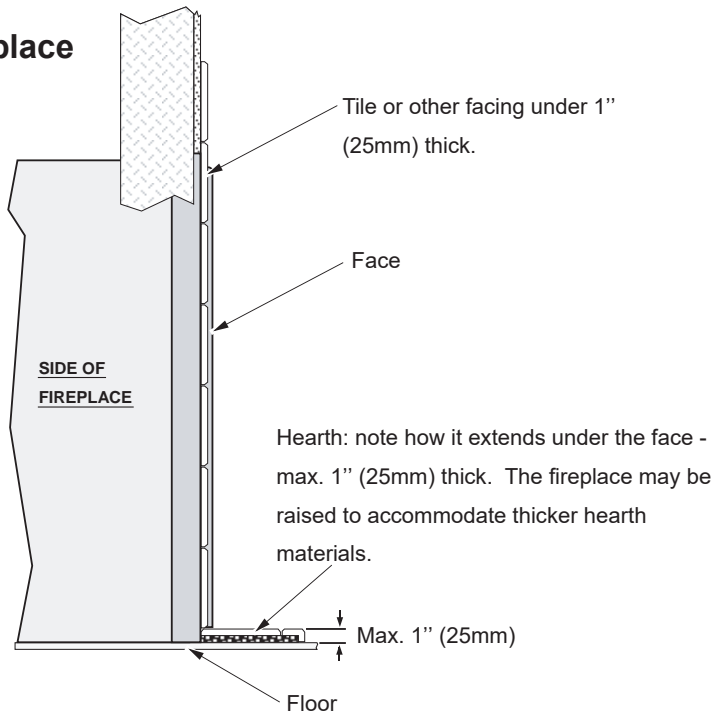


Thin Facing Installation (tile, marble, under 1" (25mm) thick) — Side View

**Raised Fireplace
(with no Hearth)**



**Floor-Mounted Fireplace
(with Hearth)**

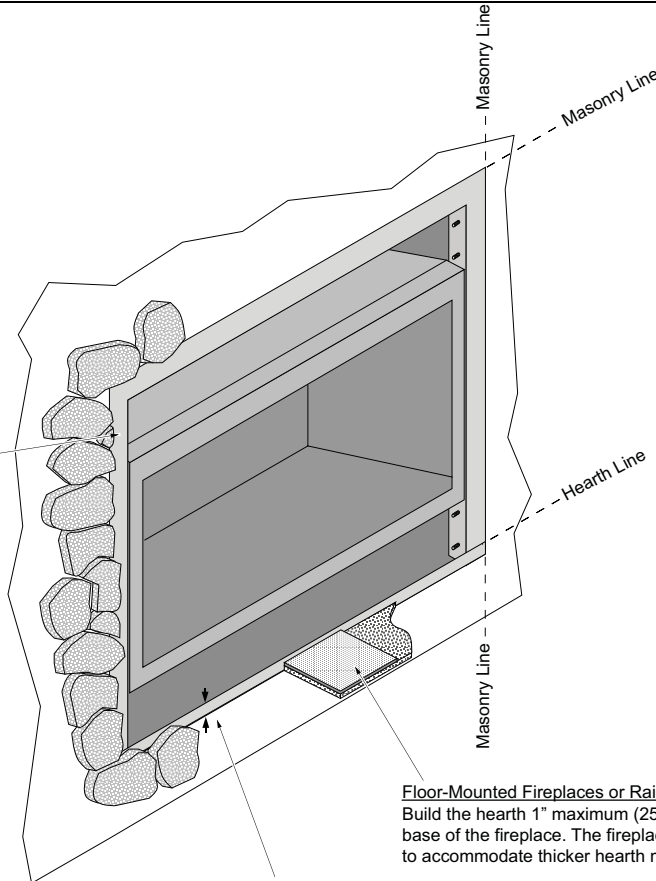


Thick Facing Installation (stone, brick, or other non-combustible over 1" (25mm) thick)

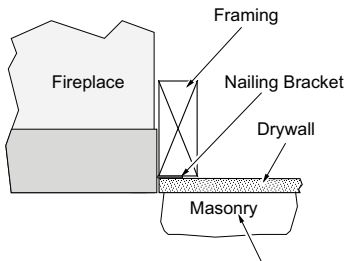


If using a Fireplace Xtordinair (FPX) arched face, see "Thick Facing with a Fireplace Xtordinair Arched Faces" on page 40.

Do not install masonry or other material in front of the fireplace. This area must remain open to install the face.



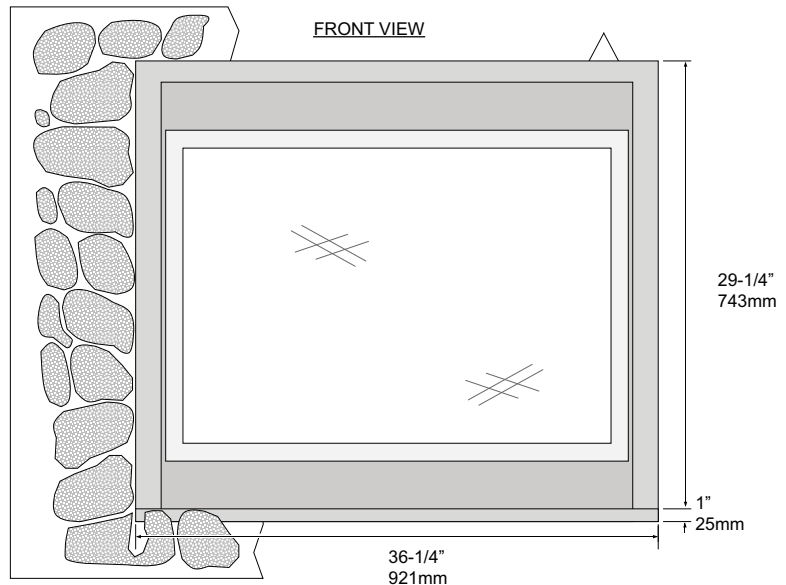
TOP VIEW - Protruding Masonry



Floor-Mounted Fireplaces or Raised Hearths:
Build the hearth 1" maximum (25mm) above the base of the fireplace. The fireplaces may be raised to accommodate thicker hearth materials.

Raised Fireplaces:
Masonry is installed 1" (25mm) (maximum) above the base of the fireplace.

FRONT VIEW

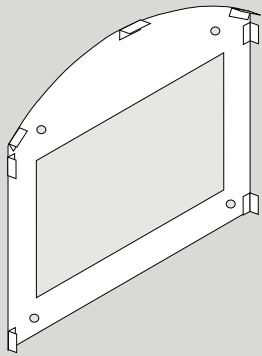


Thick Facing with Fireplace Xtrodinair (FPX) Arched Faces

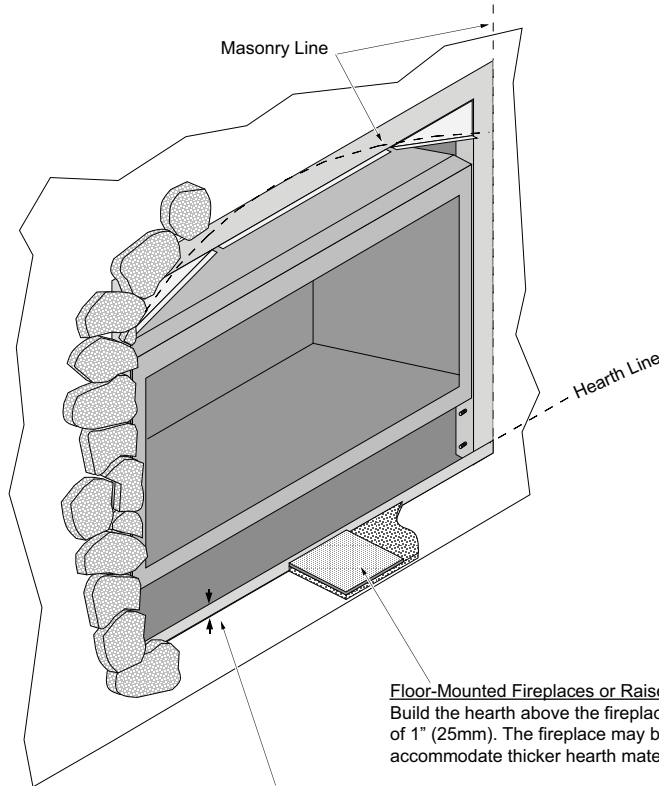
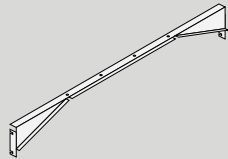


The following illustration shows facing considerations for those fireplaces utilizing FPX arched faces. The facing must be non-combustible and over 1" (25mm) in depth.

The Fireplace Xtrodinair 564 Masonry Template is recommended for masonry installation (sku 98500674). The template helps locate and support the masonry as it is installed.



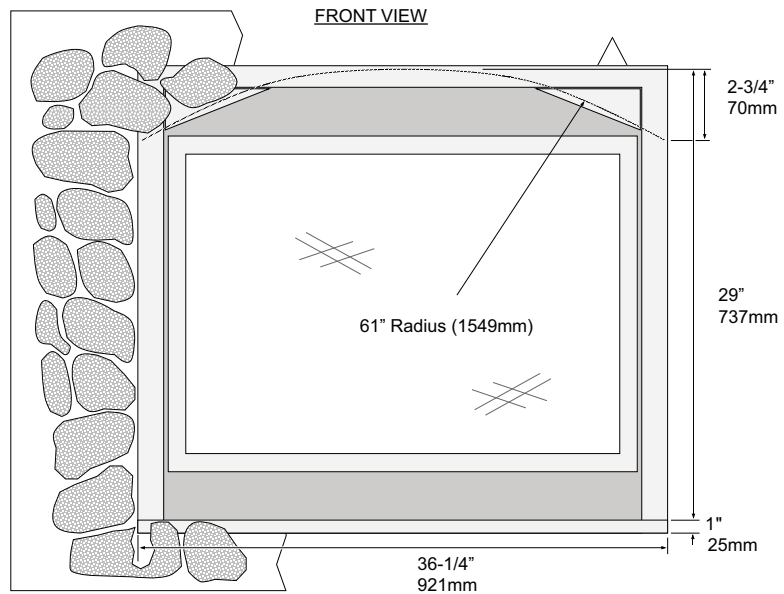
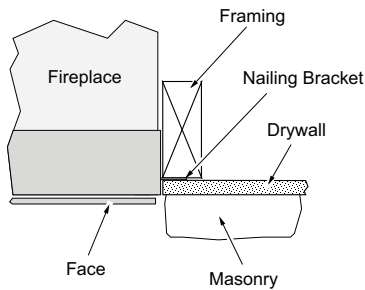
Before installing the masonry, install the FPX FaceUpgrade Kit (98500683). This kit covers the upper corners.



Floor-Mounted Fireplaces or Raised Hearths: Build the hearth above the fireplace to a maximum of 1" (25mm). The fireplace may be raised to accommodate thicker hearth materials.

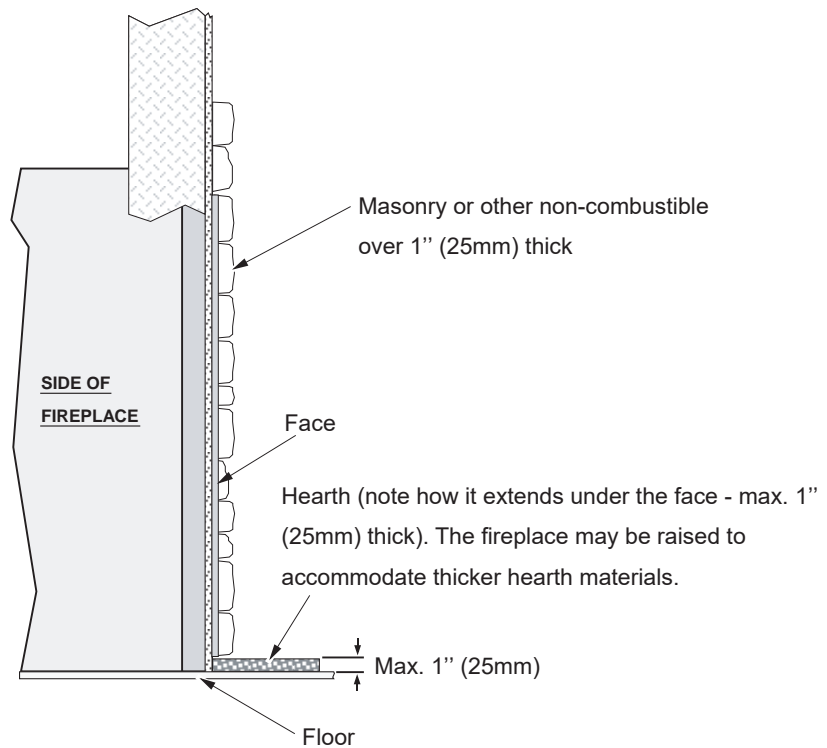
Raised Fireplaces: Install the masonry above the base of the fireplace to a maximum of 1" (25mm).

TOP VIEW

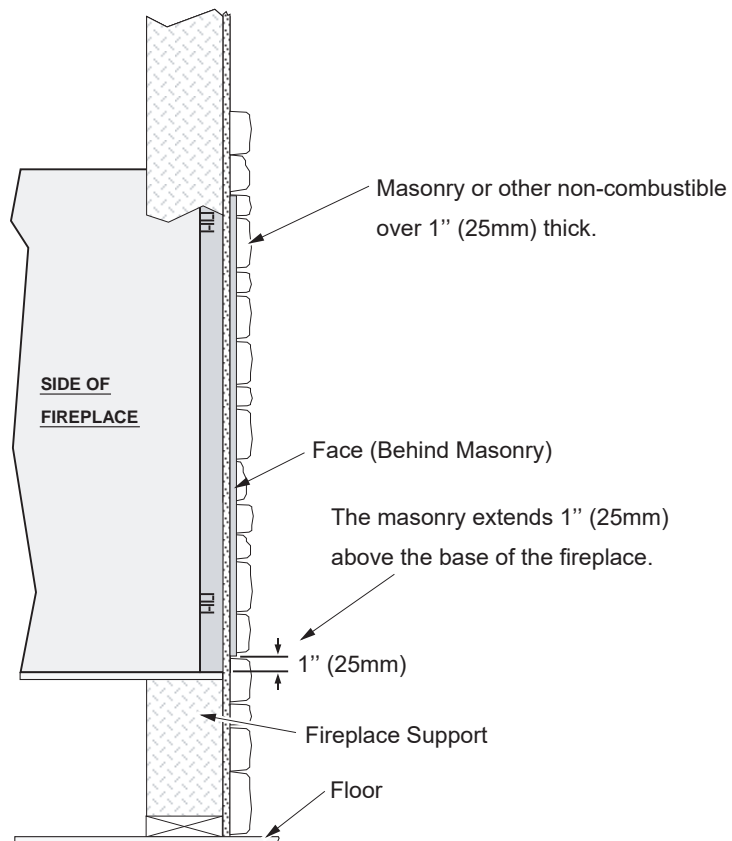


Thick Facing Installation — Side View

Floor-Mounted Fireplace (with Hearth)

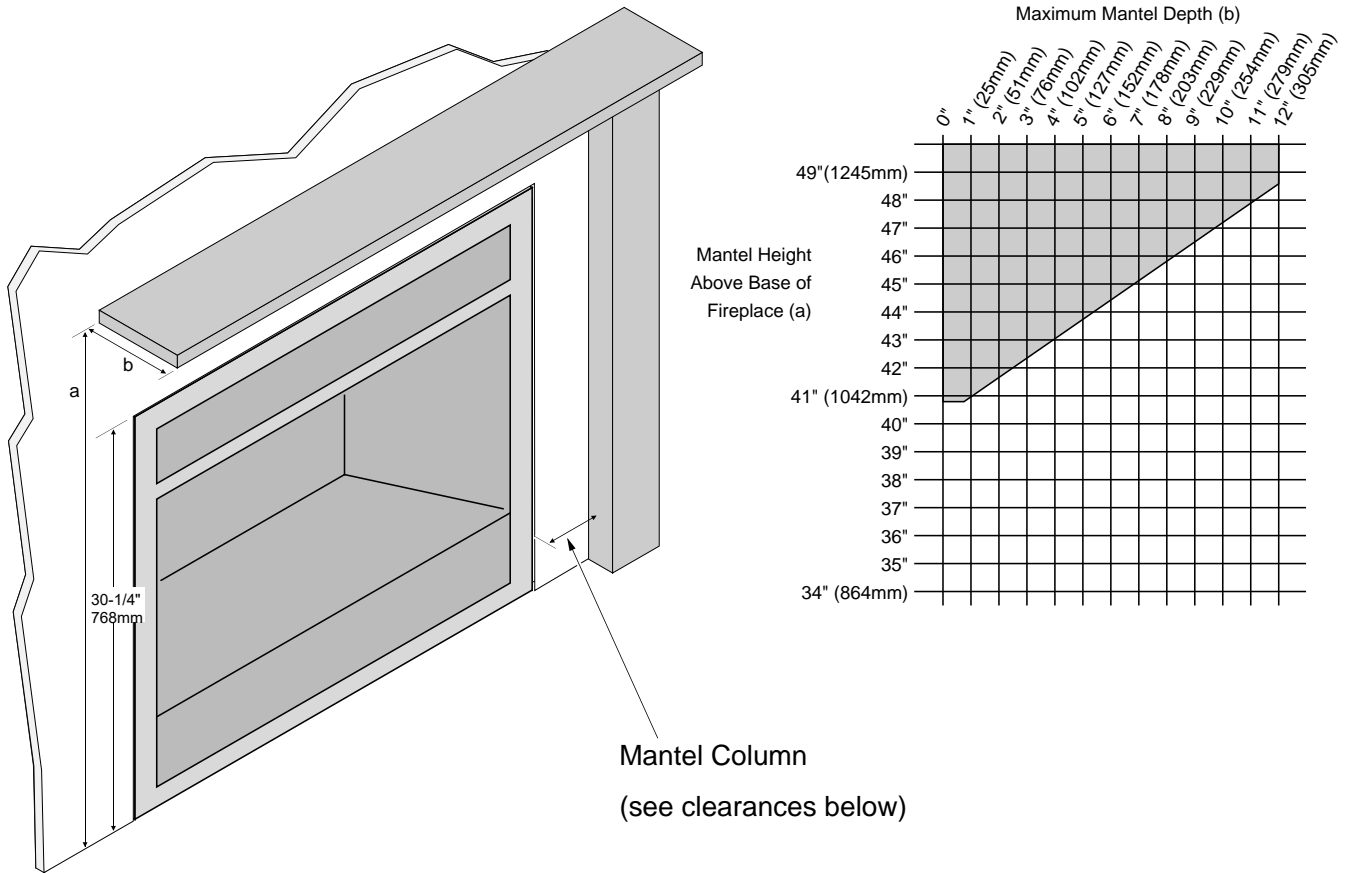


Raised Fireplace (with no Hearth)



Mantel Requirements (combustible or non-combustible)

- Use the table below to determine the maximum mantel depth allowed. The mantel depth (measured from the face of the fireplace) must fall in the shaded portion of the table.
- Any material that protrudes more than 3/4" (19mm) from the non-combustible facing is considered a mantel and must meet the mantel requirements.



EXAMPLES:

- You may have a 4" mantel at a minimum 43" above the base of the fireplace.
- At 46", the maximum mantel depth is 8".

Mantel Column Clearances

Combustible mantel columns (legs) that protrude 3/4" (19mm) or less from the glass frame must meet the facing clearances (minimum 2-1/4" (57mm) from the side of the glass frame – 0" from side of fireplace).

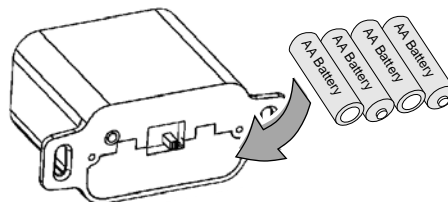
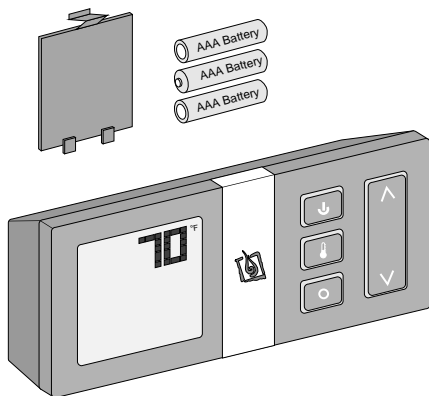
Combustible mantel columns (legs) that protrude between 3/4" (19mm) and 4" (102mm) from the glass frame or non-combustible facing require a 5" (127mm) clearance to side of the fireplace (7-1/4" 185mm from the side of the glass frame).

Combustible mantel columns (legs) that protrude more than 4" (102mm) from the glass frame or non-combustible facing must meet the side wall clearance (minimum 12" (305mm) from side of the fireplace - 14-1/4" 362mm to the side of the glass frame).

Non-combustible mantel columns do not have a minimum clearance.

Steps for Finalizing the Installation

1. Remove the glass.
NOTE: If using propane (LP) convert the appliance prior to installing the logs.
2. We recommend you purge the gas line at this time (with the glass removed). This allows gas to be detected once it enters the firebox, ensuring gas does not build up.
3. Make sure the accent light bulbs are in place.
NOTE: Take care to not touch the bulbs with your fingers (use a cloth or paper towel).
4. Install the four AA batteries (see illustration below). The AA batteries act as a power backup in case the household (AC) power goes out and are required for operation. Install three AAA batteries into the remote (see illustration below). Synchronize the transmitter to the IFC.

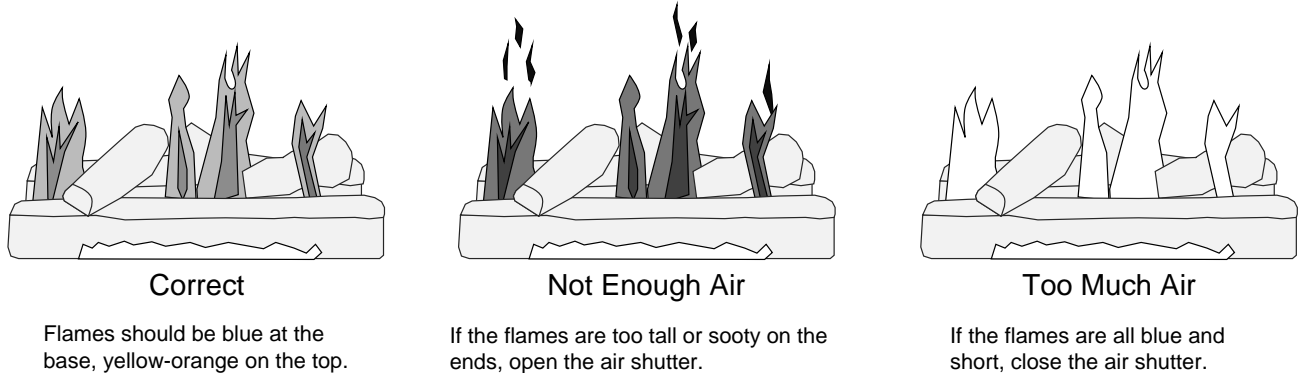


5. Install the burner and media (and firebacks if applicable).
6. Replace the glass.
7. Start the heater.
8. Leak test all gas joints.

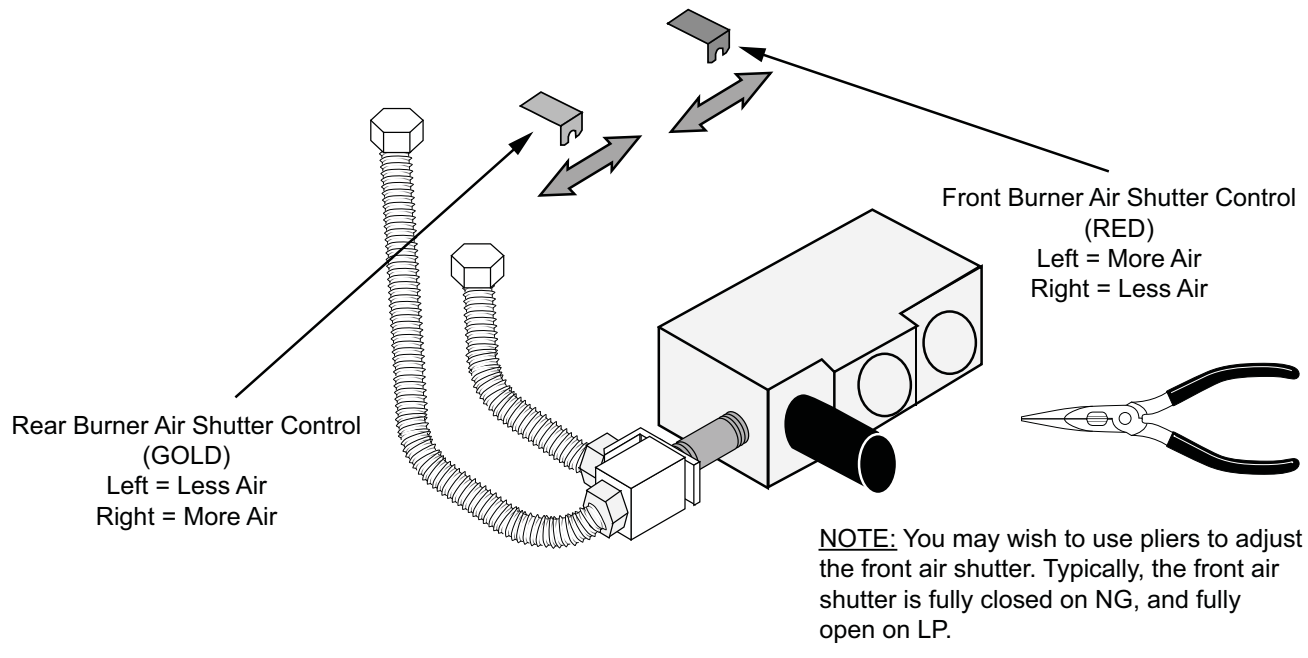
9. Check the air shutter following the directions below.

Air Shutter Adjustment

Let the heater burn for fifteen minutes (make sure the logs and glass are in place). The flames should be yellow with no sooting. Adjust the air shutter, if necessary, to achieve the correct looking flame.



Air Shutter Adjustment



10. Turn the flame adjust knob to its highest position - the flames should not contact the top of the firebox. Check the flame on low position. The flames should burn off of each burner hole. If the heater does not work correctly, contact your Travis dealer for a remedy.
11. Give this manual to the home owner for future reference and fully explain operation of this heater. For comprehensive operating and maintenance instructions, refer to the Owner's Manual.

ACID WASH WARNING: Before installing the faceplate, make sure any masonry that has been treated with acid wash has been properly neutralized (this is used primarily with brick faces). Acid wash (muriatic acid) is used to remove excess mortar. If not properly neutralized with an ammonia solution, the plated face may develop a permanent tarnish when the acid

Barrier Removal



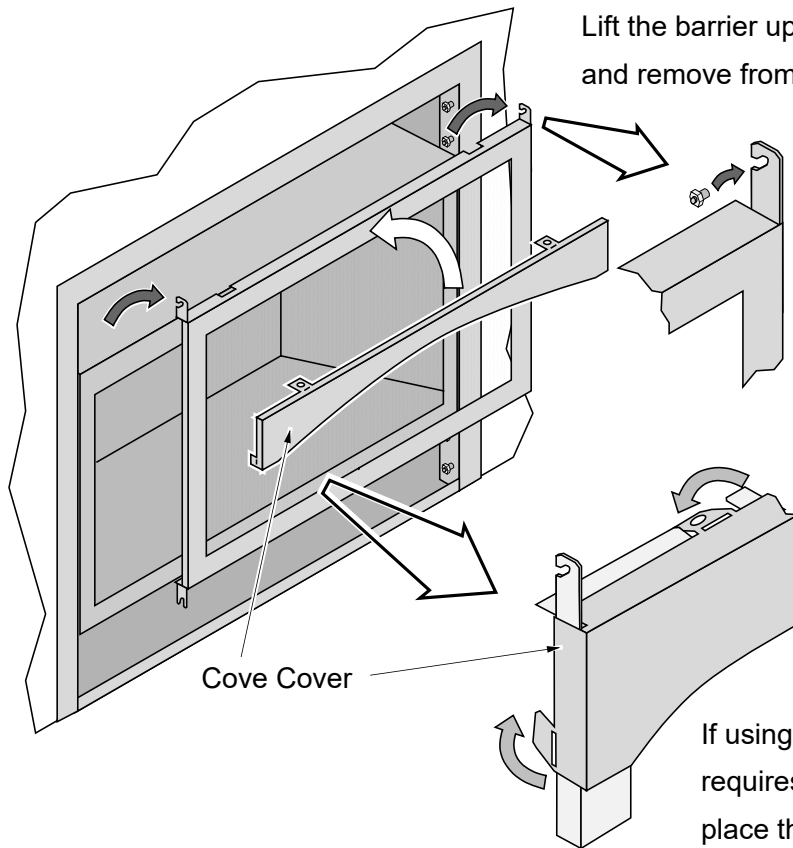
A barrier designed to reduce the risk of burns from the hot viewing glass is provided with this appliance and shall be installed for the protection of children and other at-risk individuals.



If the barrier becomes damaged, the barrier shall be replaced with the manufacturer's barrier for this appliance.



If using a face or grill that requires use of a cove cover, use the cove cover included with the fireplace (see below). Do not use the cover included with face or grill (if applicable).

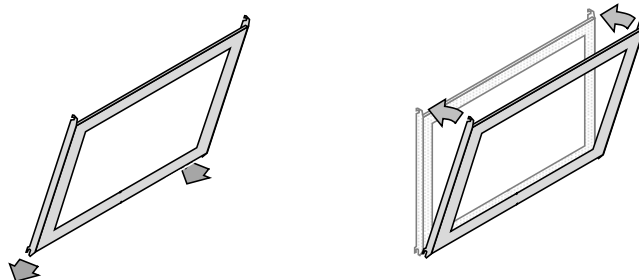


Lift the barrier up, pivot the top forward, and remove from the fireplace.

If using a face or grill that requires use of a cove cover, place the cove cover in place and bend the tabs down to secure.



HINT FOR REPLACING THE BARRIER: Hold the barrier at an angle and insert the bottom slots first. Then pivot the barrier forward to engage the top hooks.



Glass Frame Removal

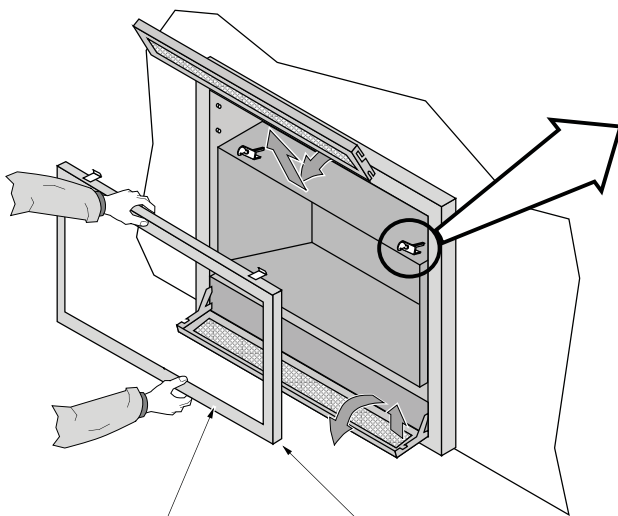
Warning: The appliance must be completely cool before removing the glass.

Warning: Do not strike or slam the glass.

Note: Remove the barrier before removing the glass (see previous page). Replace barrier after replacing the glass.

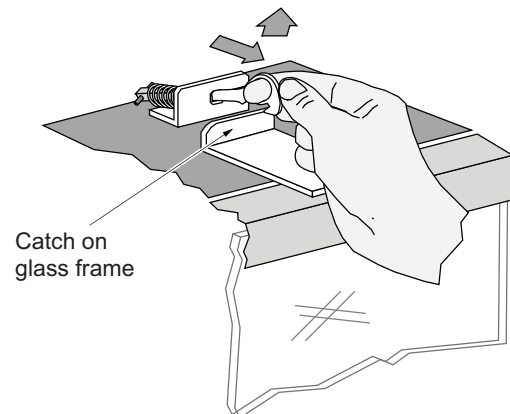
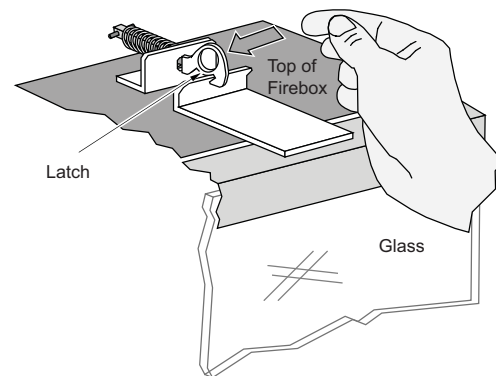
- a** Depending on the face being used, either:
- 1) Swing the access door down and remove the top grill, or
 - 2) Remove the face by unscrewing it or lifting it off -- see the instructions included with the face for details.

Open the 4 latches holding the glass frame in place, starting with the bottom. Follow the instructions shown to the right.



- b** Lift the glass frame up and pull it forward to remove.

NOTE:
You may need to lift the glass frame while re-attaching.



Re-Attaching the Glass Frame:

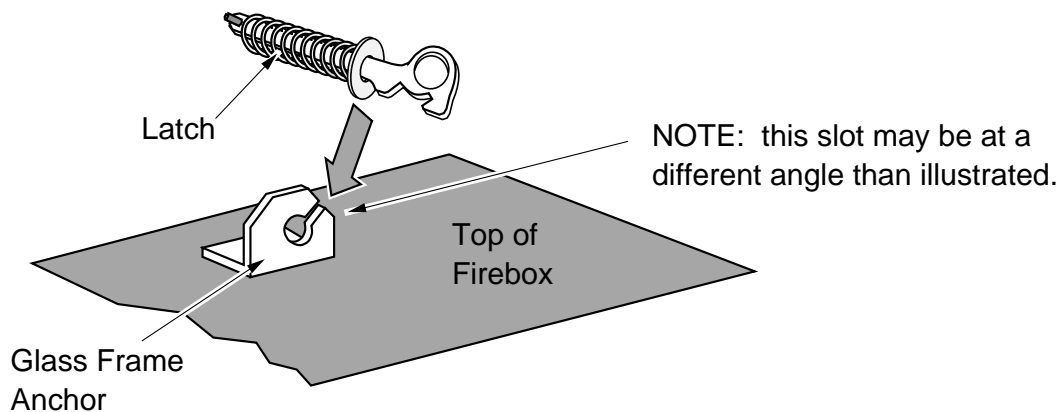
- 1) Hang the glass frame on the firebox.
- 2) While holding the frame in place, attach the upper latches (follow the instructions to the right in reverse).
- 3) Lift the glass frame slightly and attach the lower latches.

NOTE: Make sure the glass frame is fully in place -- it should be flush with the front of the fireplace when installed correctly.

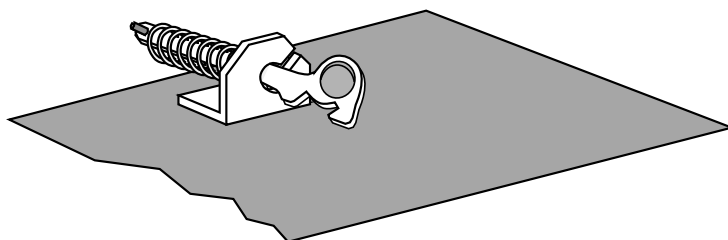
Glass Frame Removal and Installation (continued)

The latch can come loose from glass frame anchor. This occurs when it is turned 1/4 turn when it is disengaged. Follow the directions below to re-install the latch if it becomes loose.

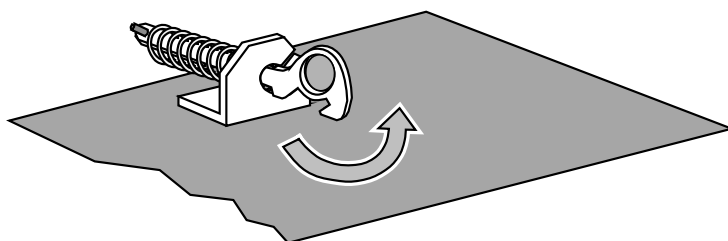
Hold the latch at an angle and insert it into the slot on the glass frame anchor.



Note how the washer on the latch fits behind the flange on the glass frame anchor.



Once fully inserted, turn the latch until it is upright.



LP Conversion Instructions

WARNING

This conversion kit shall be installed by a qualified service agency in accordance with the manufacturer's instructions and all applicable codes and requirements of the authority having jurisdiction. If the information in these instructions is not followed exactly, a fire, explosion or production of carbon monoxide may result causing property damage, personal injury or loss of life. The qualified service agency is responsible for the proper installation of this kit. The installation is not proper and complete until the operation of the converted appliance is checked as specified in the manufacturer's instructions supplied with the kit.



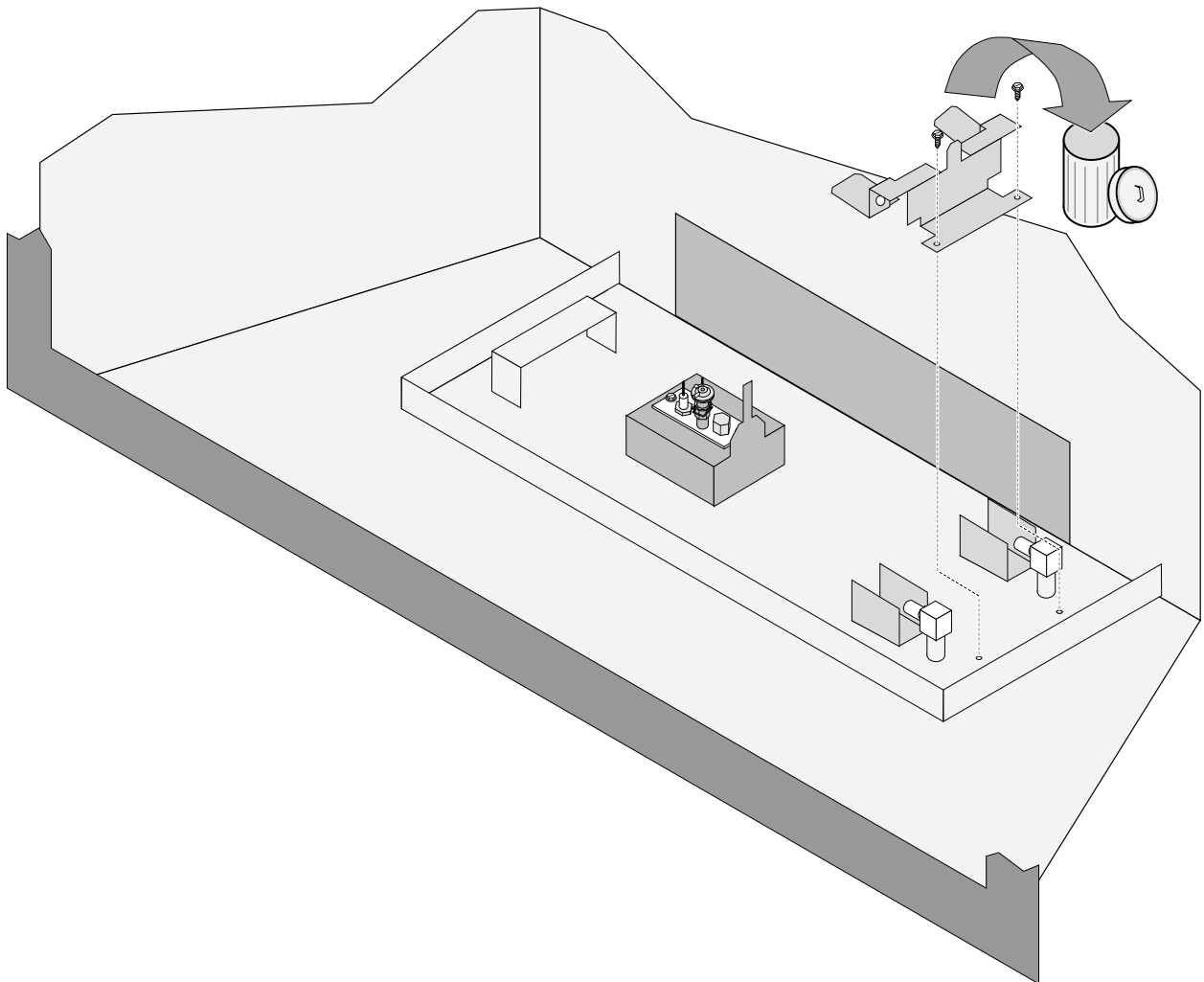
Install the LP conversion kit prior to installing the burner.

Remove the glass (see page 42).

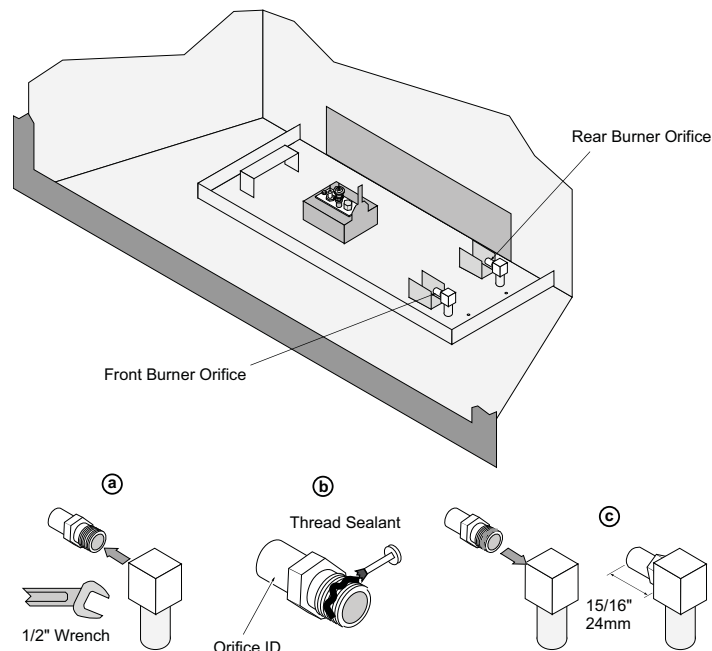
The GSR Stepper Motor Kit (SKU 94400999) is required for converting this appliance to LP. This kit contains the stepper motor (regulator) and torx wrench necessary for installation.

Installation

1. Remove and discard the burner bracket as shown below.

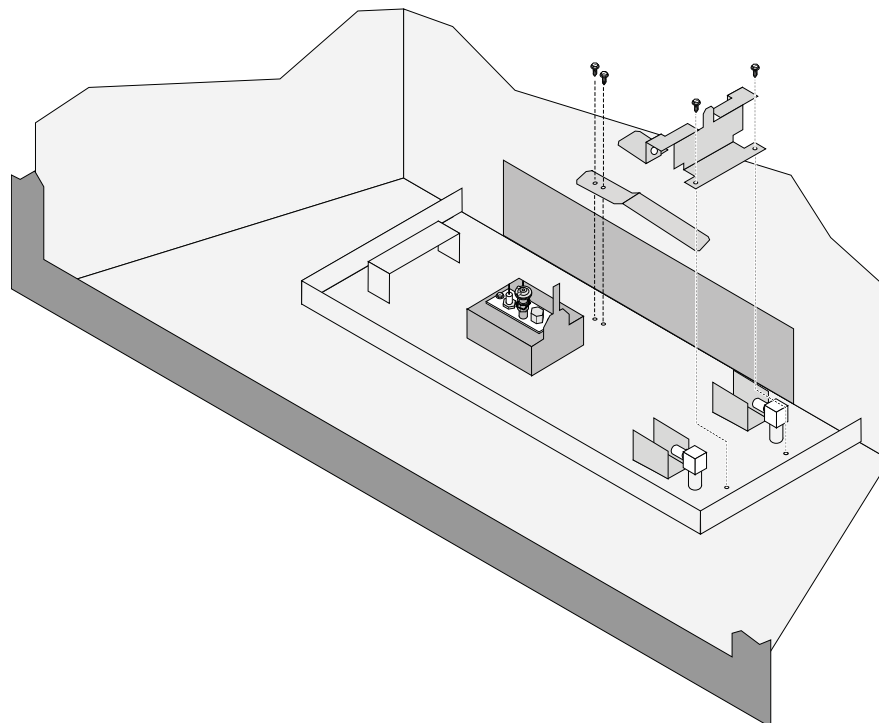


2. Replace the orifices as shown below.

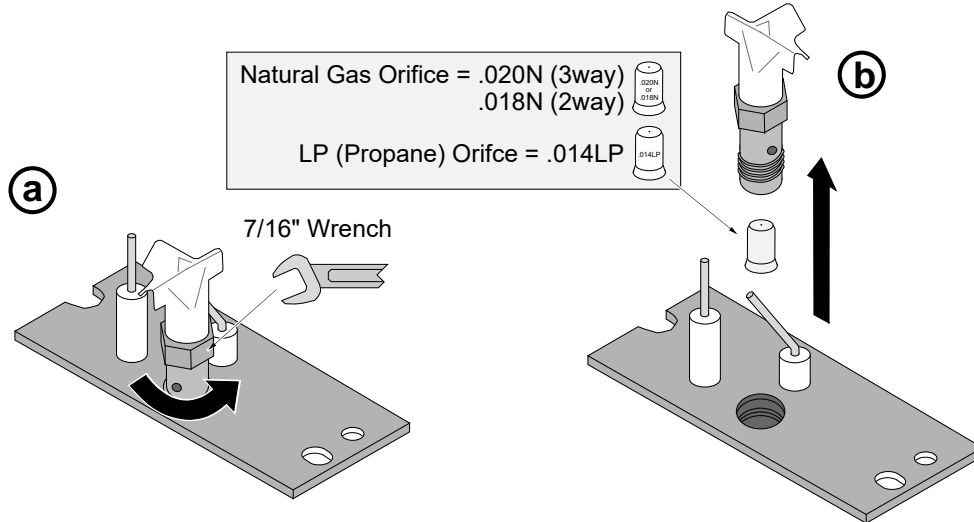


Orifice	Front	Rear
NG	#50	#44
LP	1.1mm	#55

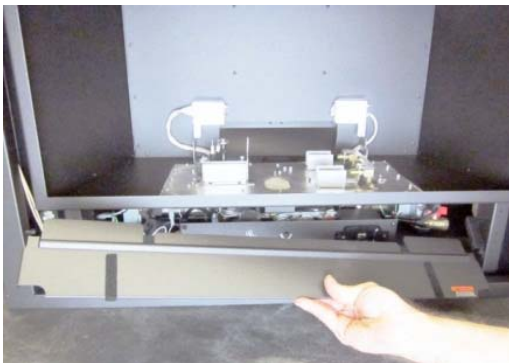
3. Install the LP burner bracket and manifold seal plate as shown below. These components are shipped with the fireplace.



4. Install the LP pilot orifice following the directions below.
 - (a) Use a $7/16$ " open-end wrench to remove the pilot hood.
 - (b) Remove and discard the Natural Gas (NG) orifice. Place the LP orifice in the pilot assembly then replace the pilot hood, tightening the pilot hood until it is snug (do not over-tighten).



5. Remove the concealment cover. Unscrew the four screws holding the control cover in place. Carefully remove the control cover and place face down to access the regulator.



6. Disconnect the regulator wire from the IFC. Pinch the tab on the wire connector to release.



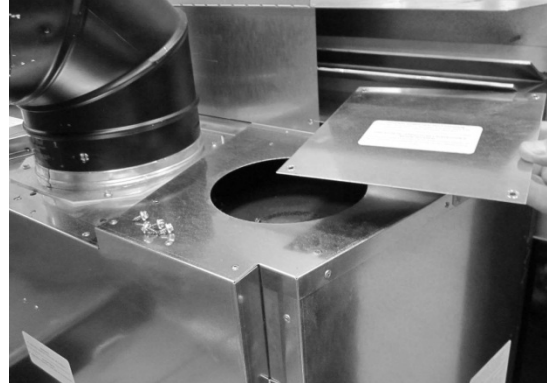
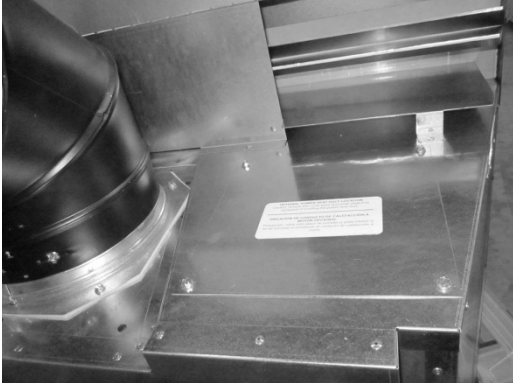
7. The stepper motor (adjustable regulator) has an installation sheet included with it – make sure to follow all of the directions. Place the stepper motor on the gas control valve– **MAKE SURE IT IS CORRECTLY ORIENTED.** Secure using the screws included with the motor– tighten to 25 Lb-inches. Leak test this area after installation to verify proper installation.
8. **Install the burner (see the instructions included with the burner).** Replace the glass and restore the fireplace to the correct configuration.

Attaching the Power Heat Duct to the 564 HO

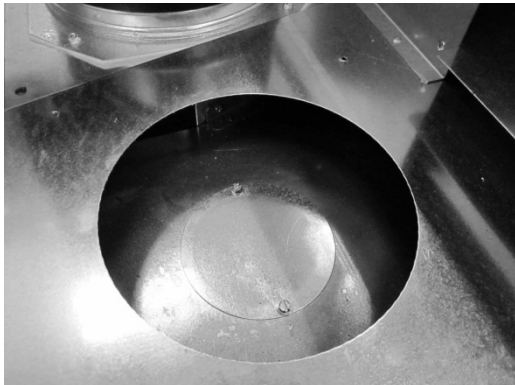
One or two optional power heat ducts (sku 98500769) may be attached to the 564 HO. The ducting is attached to the top of the fireplace (left or right side). See the directions below for removing the power heat duct covers.

Power Heat Duct Covers

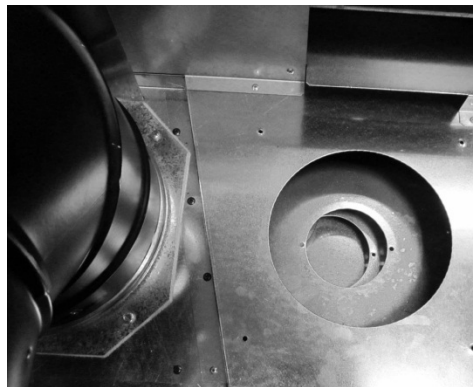
1. Remove the outer heat duct plate (4 screws - see picture below).



2. Remove the inner heat duct plate (2 screws – see picture below).

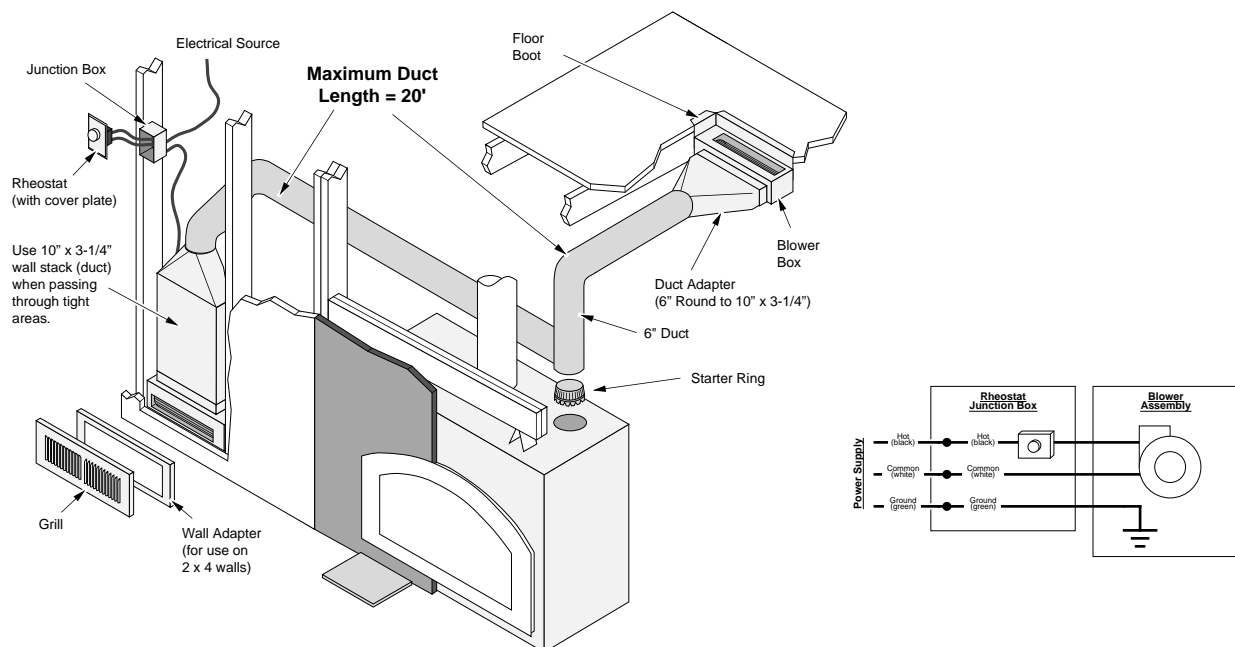


- Remove the screw on the lower duct plate and rotate it away to allow air to flow from the lower convection channel (see pictures below). NOTE: This plate is not removed, it is swiveled out of the way – use a screwdriver, if necessary to rotate the plate.

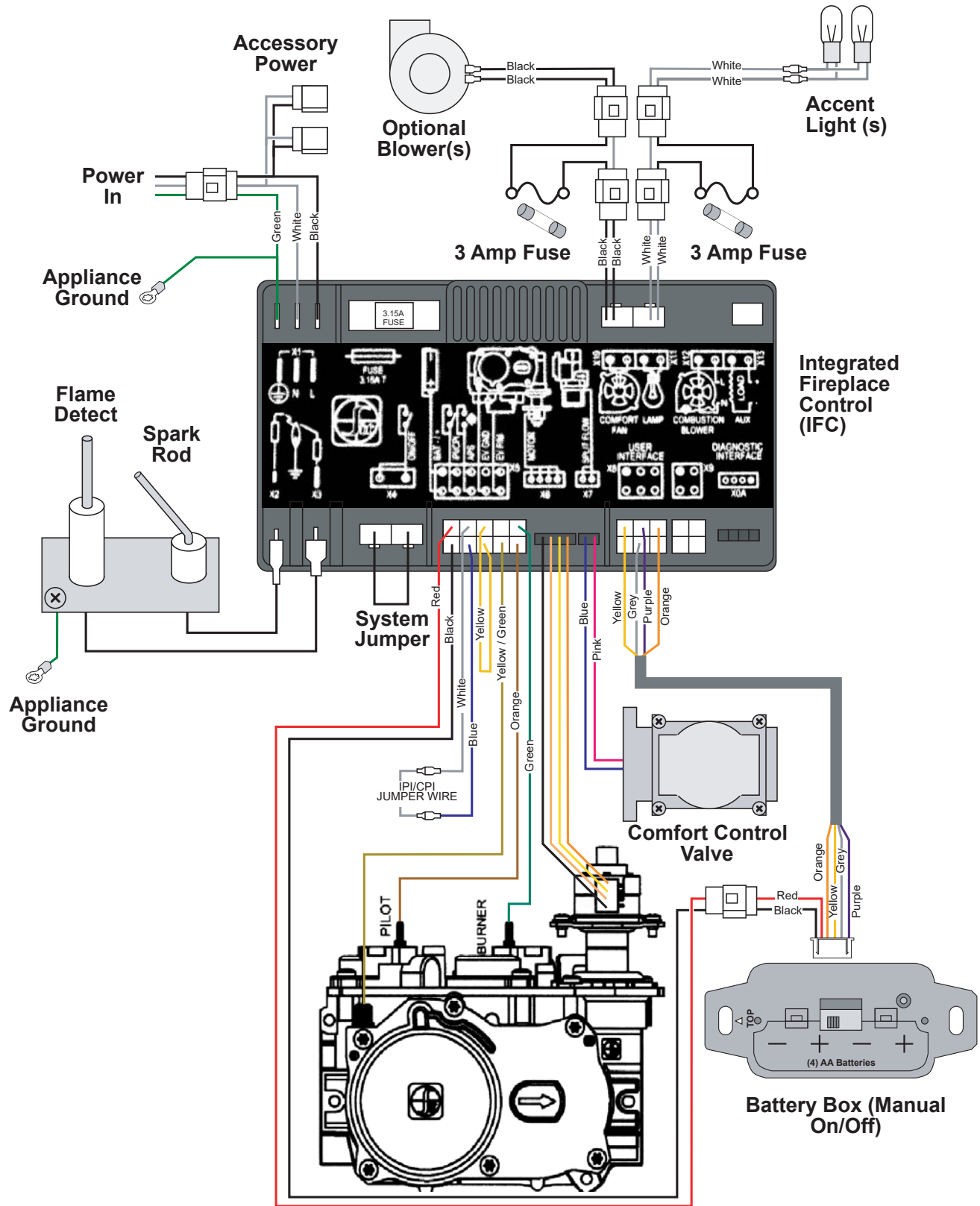


Installing the Power Heat Duct with the 564 HO

The power heat duct must be installed in accordance with the instructions included with the kit and all local codes. See the illustration below for an overview



Wiring Diagram



Additional Items Required	7	Minimum Framing Dimensions	11
Air Shutter Adjustment	44	Overview	2
Altitude Considerations	22	Packing List.....	7
Approved Vent Configurations	24	Raised Fireplaces	10
Approved Vent	23	Recommended Installation Procedure	8
Clearances	10	Restrictor Position.....	24
Corner Installations	17	Safety Precautions.....	4
Diffuser Plate Adjustment.....	26	Thick Facing Installation with FPX Arched Faces	40
Dimensions	6	Thick Facing Installation	39
Electrical Connection (required).....	21	Thin Facing Installation	37
Exhaust Restrictor Adjustment.....	24	Vent Configurations with Horizontal Termination	27
Facing Overview	36	Vent Configurations with Vertical Termination.....	28
Facing Requirements	35	Vent Clearances	22
Features	6	Vent Installation	23
Fireplace Placement Requirements	10	Vent Requirements	22
Fuel	19		
Gas Inlet Pressure	19		
Gas Line Connection.....	19		
Gas Line Location	19		
Gas Line Requirements	19		
Hearth Requirements	34		
Heating Specifications.....	6		
Installation Options.....	6		
Intake Restrictor Adjustment	25		
Listing Details	2		
Mantel Requirements	42		