

4237 Fireplace

Installation Manual



WARNING:

If the information in these instructions is not followed exactly, a fire or explosion may result causing property damage, personal injury or loss of life.

- Do not store or use gasoline or other flammable vapors and liquids in the vicinity of this or any other appliance.
- **WHAT TO DO IF YOU SMELL GAS**
 - Do not try to light any appliance.
 - Do not touch any electrical switch; do not use any phone in your building.
 - Immediately call your gas supplier from a neighbor's phone. Follow the gas supplier's instructions.
 - If you cannot reach your gas supplier, call the fire department.
- Installation and service must be performed by a qualified installer, service agency or the gas supplier.



HOT GLASS WILL CAUSE BURNS

DO NOT TOUCH GLASS UNTIL COOLED

NEVER ALLOW CHILDREN TO TOUCH GLASS

A barrier designed to reduce the risk of burns from the hot viewing glass is provided with this appliance and shall be installed for the protection of children and other at-risk individuals.

Tested and Listed by



Report # 0028GF104S

ANSI Z21.88-2014

CSA 2.33-2014

"Vented Gas Fireplace Heater"

- **Built-In Direct-Vent Fireplace**
- **Natural Gas**
- **LP (Propane)**

This appliance may be installed in an aftermarket, permanently located, manufactured home (USA only) or mobile home, where not prohibited by local codes.

This appliance is only for use with the type of gas indicated on the rating plate. A conversion kit is supplied with the appliance.

INSTALLER: Leave this manual with the appliance.

CONSUMER: Retain this manual for future reference.

Overview

This manual details the installation requirements for the 4237 fireplace. For operating and maintenance instructions, refer to the Owner's Manual.



4237 CF GSR2
Vented Gas Fireplace Heater
Le Gaz donné vent Cheminée
Appareil de chauffage



Listing Details

This appliance was listed by OMNI-Test Laboratories, Inc. to ANSI Z21.88-2014 / CSA 2.33-2014. The listing label is chained to the appliance near the glass frame. A copy is shown to the right.

Massachusetts Approval

This manual has been submitted to the Massachusetts Board of State Examiners of Plumbers and Gas Fitters

National Fireplace Institute



We suggest that our gas hearth products be installed and serviced by professionals who are certified in the U.S. by the National Fireplace Institute® (NFI) as NFI Gas Specialists.

Certified to: ANSI Z21.88-2014/CSA 2.33-2014 "Vented Gas Fireplace Heater", CGA 2.17-M91 (R2009) "Gas Burning Heating Appliances for Manufactured Homes", and CSA P.4.1-15 Testing method for measuring annual fireplace efficiency.

This appliance must be installed in accordance with local codes, if any; if none, follow the National Fuel Gas Code, ANSI Z223.1/NFPA 54, or Natural Gas and Propane Installation Codes, CSA B149.1.

This appliance must be installed in accordance with the current Standard CAN/CSA Z240 MH, Mobile Housing, in Canada or with the Manufactured Home Construction and Safety Standard, Title 24 CFR, Part 3280, in the United States, or when such a standard is not applicable, ANSINCBS/CSA A225.1/NFPA 501A, Manufactured Home Installation Standard.

This vented gas fireplace heater is equipped at the factory for use with natural gas. If conversion to propane (LP) is desired, the optional factory conversion kit must be used. Part No. 250-04048 register kit may be used.

This appliance is only for use with the type of gas indicated on the rating plate and may be installed in an aftermarket, permanently located, manufactured home (USA only) or mobile home, where not prohibited by local codes. See owner's manual for details. This appliance is not convertible for use with other gases, unless a certified kit is used.

This vented gas fireplace heater is not for use with air filters. Keep burner and control compartment clean. See installation and operating instructions accompanying appliance.

This appliance must be properly connected to a venting system in accordance with the manufacturer's installation instructions. Use only approved coaxial direct vent system to vent this appliance to the exterior. See owner's manual for approved brands of venting.

If the vent-air intake system is disconnected for servicing or any other reason, it must be resealed and / or reinstalled.

WARNING: Improper installation, adjustment, alteration, service or maintenance can cause injury or property damage. Refer to the owner's information manual provided with this appliance. For assistance or additional information consult a qualified installer, service agency or the gas supplier.

Certifiés: ANSI Z21.88-2014/CSA 2.33-2014 « A Donné vent de l'Appareil de chauffage de Cheminée de Gaz », adaptateur de graphique couleur 2.17-M91 (R2009) « le Gaz Brûlant Appareils Chauffage pour les Maisons Fabriquées », et la méthode d'Essai de P.4.1-15 DE CSA pour l'efficacité de cheminée annuelle à mesurer.

Cet appareil doit être conformément installé aux codes locaux, si n'impose lequel ; si aucun, suivre le Code de Gaz de Carburant National, ANSI Z223.1/NFPA 54, ou Gaz Naturels et les Codes d'installation de Propane, CSA B149.1.

Cet appareil doit être conformément installé au B.O.I.T.E./CSA Standard actuel Z240 MH, le Logement Mobile, au Canada ou avec les Constructions de Maison Fabriquées et la Norme de Sécurité, le Titre 24 CFR, la Partie 3280, aux États-Unis, ou quand une telle norme n'est pas applicable, ANSINCBS/CSA A225.1/NFPA 501A, Norme d'Installation de Maison Fabriquée.

Ceci a donné vent de l'appareil de chauffage de cheminée de gaz est équipé à l'usine pour l'usage avec le gaz naturel. Si la conversion au propane (LP) est désiré, la trousse de conversion d'usine facultative doit être utilisée. La partie No 250-04048 trousses de registre pourrait être utilisée.

Cet appareil est seulement pour l'usage avec le type de gaz indiqué sur la plaque de classement et pourrait être installé dans une maison tiers d'une façon permanente localisée et fabriquée (USA seulement) ou la maison mobile, où pas interdit par les codes locaux. Voir le manuel du propriétaire pour les détails. Cet appareil n'est pas convertible pour l'usage avec les autres gaz, à moins qu'une trousse certifiée est utilisée.

Ceci a donné vent de l'appareil de chauffage de cheminée de gaz n'est pas pour l'usage avec les filtres à air.

Garder le compartiment de brûleur et contrôle nettoie. Voir l'installation et les instructions opérantes qui accompagnent l'appareil.

Cet appareil doit être convenablement connecté à un système donner vent conformément aux instructions d'installation du fabricant. Utiliser le système de conduit direct, coaxial et seulement approuvé pour donner vent cet appareil à l'extérieur. Voir le manuel du propriétaire pour les marques approuvées de donner vent.

Si le système de prise de conduit-air est débranché pour entretenir ou aucune autre raison, il doit être rescellée et / ou réinstallé.

VENTED GAS FIREPLACE HEATER
NOT FOR USE WITH SOLID FUEL

Minimum Clearances to Combustibles

Fireplace to Adjacent Wall	0" (0mm)
Wood Floor Beneath Fireplace	0" (0mm)
Back to Enclosure	0.625" (17mm)
Base of Fireplace to Enclosure Top	89" (2261mm)
Sides to Enclosure	0.625" (17mm)
Base of Fireplace to a Mantel	See Owner's Manual

FAN TYPE VENTED CIRCULATOR

Blower Electrical Rating: 120V AC, 4.5 Amps, 60 Hz, 540 Watts
Part No. 250-04053 / 250-04055 fan or blower assembly may be used.
DANGER! Risk of Electric Shock. Disconnect power before servicing unit.

	PROPANE	N.G.
Input Rate on "HI" (BTU/Hr)	80,000	80,000
Input Rate on "LO" (BTU/Hr)	30,887	32,089
Orifice Size - Front (DMS)	#55	#45
Orifice Size - Rear (DMS)	#49	#30
Minimum Inlet Pressure (inches W.C.)	11"	5.5"
Maximum Inlet Pressure (inches W.C.)	13"	7"
Manifold Pressure on "HI" (inches W.C.)	11"	3.8"

This appliance is equipped for use only at altitudes 0-2,000 feet (0-610m) in the USA. In Canada, 0-4,500 feet (0-1370m).

For altitudes above 2,000 feet, the vent configuration, orifice, or combination of both may need to be changed.
See owner's manual for information on making these changes.

WARNING: Failure to install this appliance per the manufacturer's instructions or failure to use only parts specifically approved with this appliance may result in property damage or personal injury.

MANUFACTURE DATE:

<input type="checkbox"/> 2018	<input type="checkbox"/> Jan.	<input type="checkbox"/> Apr.	<input type="checkbox"/> Jul.	<input type="checkbox"/> Oct.
<input type="checkbox"/> 2019	<input type="checkbox"/> Feb.	<input type="checkbox"/> May	<input type="checkbox"/> Aug.	<input type="checkbox"/> Nov.
<input type="checkbox"/> 2020	<input type="checkbox"/> Mar.	<input type="checkbox"/> Jun.	<input type="checkbox"/> Sep.	<input type="checkbox"/> Dec.

CAUTION:

Do not operate this appliance with glass removed, cracked or broken. Replacement of the panel(s) should be done by a licensed or qualified service person.

L'APPAREIL DE CHAUFFAGE DONNE VENT DE CHEMINÉE DE GAZ PAS POUR L'USAGE AVEC LE COMBUSTIBLE SOLIDE

Dégagements Minimums à Combustible

La cheminée au mur adjacent	0" (0mm)
Le plancher en bois en dessous de la cheminée	0" (0mm)
De retour à la clôture	0.625" (17mm)
La base de cheminée au sommet de clôture	89" (2261mm)
Les côtés à la clôture	0.625" (17mm)
La base de cheminée à un manteau de cheminée	***

(** Voir le manuel du propriétaire)

EVENTER LE TYPE A DONNE VENT CIRCULATEUR

La soufflerie Classement Électrique : 120V AC, 4.5 Amps, 60 Hz, 540 Watts
La partie No 250-04053 / 250-04055 assemblée de ventilateur ou soufflerie pourrait être utilisée.
¡PELIGRO! El riesgo de Descarga eléctrica. Desconecte el poder antes de atender a la unidad.

	PROPANE	G.N.
Taux d'entrée sur « HI » (BTU/Hr)	80,000	80,000
Taux d'entrée sur « LO » (BTU/Hr)	30,887	32,089
La Taille d'orifice - le Devant (DMS)	#55	#45
La Taille d'orifice - l'Arrière (DMS)	#49	#30
La Pression minimum d'Arrivée (inches W.C.)	11"	5.5"
La Pression maximum d'Arrivée (inches W.C.)	13"	7"
Diverse Pression sur « HI » (inches W.C.)	11"	3.8"

Cet appareil est équipé pour l'usage seulement aux altitudes 0-2,000 pieds (0-610m) dans l'USA. Au Canada, 0-4,500 pieds (0-1370m).

Pour les altitudes au-dessus de 2,000 pieds, la configuration de conduit, l'orifice, ou la combinaison des deux peut avoir besoin d'être changé.
Voir le manuel du propriétaire pour les informations sur faire ces changements.

AVERTISSEMENT : L'installation déplacée, l'ajustement, le changement, le service ou l'entretien peuvent causer les dommages de blessure ou propriété. Se référer au manuel d'informations du propriétaire fourni avec cet appareil. Pour obtenir de l'aide ou les informations supplémentaires consultez un programme d'installation, une agence de service ou le fournisseur de gaz qualifié.

AVERTISSEMENT : L'échec pour installer cet appareil par les instructions du fabricant ou l'échec pour utiliser seulement des parties ont approuvé en particulier avec cet appareil peut avoir pour résultat les dommages de propriété ou la blessure personnelle.

PRUDENCE:

Ne pas fonctionner cet appareil avec le verre enlevé, craqué ou cassé. Le remplacement des panneaux devrait être fait par une personne de service autorisée ou qualifiée.

Installation Options	6
Heating Specifications	6
Dimensions	6
Packing List	7
Recommended Installation Procedure	7
Fireplace Unboxing and Moving Into Position	8
Massachusetts Requirements	9
Fireplace Placement Requirements	10
Clearances	10
Raised Fireplaces	10
Televisions Placed Above the Fireplace	11
Minimum Framing Dimensions	13
Minimum Enclosure Height – Minimum Vent Configurations or Any System Height Under 10'	13
Minimum Enclosure Height –Vent Configurations with System Height 10' or Higher	13
Nailing Brackets – Flush Install	14
Nailing Brackets – Extended Install	15
Corner Installations	16
Outdoor fireplace installations	17
Gas Line Requirements	18
Fuel	18
Gas Line Connection	18
Gas Inlet Pressure	18
Gas Line Location	18
Directions for Connecting a Gas Pressure Test Gauge	19
Electrical Connection	20
Vent Requirements	21
Vent Clearances	21
Vertical Penetrations Require Vent Firestop	21
Horizontal Penetrations Require Thimble	21
Altitude Considerations	21
Approved Vent	21
Approved Vent Terminations	21
Vent Installation	21
Vertical Pipe Shield	22
Horizontal Terminations Require Vinyl Standoff and Termination Shield	22
Exhaust Restrictor	23
Minimum Vent Configuration	24
Vent Configuration: Horizontal Terminations using NG	25
Vent Configuration: Horizontal Terminations using LP	26
Vent Configuration: Vertical Terminations using NG	27
Vent Configuration: Vertical Terminations using LP	28
Termination Requirements	29
Hearth Requirements	30
Facing Requirements	30
Facing Example – Standard (Tile Over) Install	32
Facing Example – Flush Install	32
Adjustable Tile Stop	33
Mantel Requirements	34
Steps for Finalizing the Installation	35
Air Shutter Adjustment	35
Glass Frame Removal and Installation	36
Installing the Firebacks	39
Grate Installation and Removal	39
Log Set Installation	40
LP Conversion Instructions	48
LP Conversion Parts	48
Wiring Diagram	52

Safety Warnings:

- Failure to follow all of the requirements may result in property damage, bodily injury, or even death.

Young children should be carefully supervised when they are in the same room as the appliance. Toddlers, young children and others may be susceptible to accidental contact burns. A physical barrier is recommended if there are at risk individuals in the house. To restrict access to a fireplace or stove, install an adjustable safety gate to keep toddlers, young children and other at risk individuals out of the room and away from hot surfaces.

Children and adults should be alerted to the hazards of high surface temperature and should stay away to avoid burns or clothing ignition. Do not touch the hot surfaces of the heater. Educate all children of the danger of a high-temperature heater.

Due to the high temperature, the heater should be located out of traffic and away from furniture and draperies.

- This unit must be installed by a qualified installer to prevent the possibility of an explosion.
- This appliance must be installed in accordance with all local codes, if any; if not, in U.S.A. follow ANSI Z223.1 and NFPA 54(88), in Canada follow CSA B149.1. In Australia follow AS/NZS 5601.1.
- A manufactured home (USA only) or mobile home OEM installation must conform with the Manufactured Home Construction and Safety Standard, Title 24 CFR, Part 3280, or, when such a standard is not applicable, the Standard for Manufactured Home Installations, ANSI/NCSCBS A225.1, or Standard for Gas Equipped Recreational Vehicles and Mobile Housing, CSA Z240.4. This appliance may be installed in Manufactured Housing only after the home is site located.
- All exhaust gases must be vented outside the structure of the living-area. Combustion air is drawn from outside the living-area structure. The venting must not be connected to a chimney flue serving a separate solid-fuel burning appliance.
- Notify your insurance company before hooking up this fireplace.
- The instructions in this manual must be strictly adhered to. Do not use makeshift methods or compromise in the installation. Improper installation will void the warranty and safety listing.
- This heater is approved for use with natural gas (NG) or propane (LP). Burning the incorrect fuel will void the warranty and safety listing and may cause an extreme safety hazard. Direct questions about the type of fuel used to your dealer.
- Contact your local building officials to obtain a permit and information on any installation restrictions or inspection requirements in your area.
- If the flame becomes sooty, dark orange in color, or extremely tall, do not operate the heater. Call your dealer and arrange for proper servicing.
- It is imperative that control compartments, screens, or circulating air passageways of the heater be kept clean and free of obstructions. These areas provide the air necessary for safe operation.
- Do not operate the heater if it is not operating properly in any fashion or if you are uncertain. Call your dealer for a full explanation of your heater and what to expect.
- Do not store or use gasoline or other flammable liquids in the vicinity of this heater.
- Do not operate if any portion of the heater was submerged in water or if any corrosion occurs. Immediately call a qualified service technician to inspect the appliance and to replace any part of the control system and any gas control which has been under water.

Safety Warnings (continued)

- Because this heater can be controlled by a thermostat there is a possibility of the heater turning on and igniting any items placed on or near the appliance.
- Light the heater using the built-in igniter. Do not use matches or any other external device to light your heater.
- Never remove, replace, modify or substitute any part of the heater unless instructions are given in this manual. All other work must be done by a trained technician. Don't modify or replace orifices.
- The viewing glass should be opened only for conducting service.
- Allow the heater to cool before carrying out any maintenance or cleaning.
- Operate the heater according to the instructions included in this manual.
- If the main burners do not start correctly turn the gas off and call your dealer for service.
- This unit is not for use with solid fuel.
- Do not place anything inside the firebox (except the optional artwork).
- **Warning:** Do not operate appliance with the glass front removed, cracked or broken. Replacement of the glass should be done by a licensed or qualified service person.
- Do not throw this manual away. This manual has important operating and maintenance instructions that you will need at a later time. Always follow the instructions in this manual.
- Instruct everyone in the house how to shut gas off to the appliance and at the gas main shutoff valve. The gas main shutoff valve is usually next to the gas meter or propane tank and requires a wrench to shut off.
- Clothing or other flammable material should not be placed on or near the appliance.
- Any safety screen, guard, or barrier removed for servicing an appliance must be replaced prior to operating the appliance.
- Installation and repair should be done by a qualified service person. The appliance should be inspected before use and at least annually by a professional service person. More frequent cleaning might be required due to excessive lint from carpeting, bedding material, et cetera. It is imperative that control compartments, burners, and circulating air passageways of the appliance be kept clean.
- **Travis Industries, Inc. grants no warranty, implied or stated, for the installation or maintenance of your heater, and assumes no responsibility of any consequential damage(s).**

Proposition 65 Warning: Fuels used in gas, woodburning or oil fired appliances, and the products of combustion of such fuels, contain chemicals known to the State of California to cause cancer, birth defects and other reproductive harm.
California Health & Safety Code Sec. 25249.6

Travis Gas Fireplaces. Stoves and Inserts are protected by one or more of the following patents; U.S. 8,469,021, 7,066,170, 6,602,068, 6,443,726, 6,953,037; Canada 2755517 as well as other U.S. and Foreign Patents pending.

6

Features and Specifications

Installation Options

- Raised or Floor Placement
- Internal or External Chase
- Horizontal or Vertical Vent
- Bedroom Approved

Heating Specifications

Maximum BTU Input Per Hour
 Approximate Heating Capacity (in square feet)*

Natural Gas

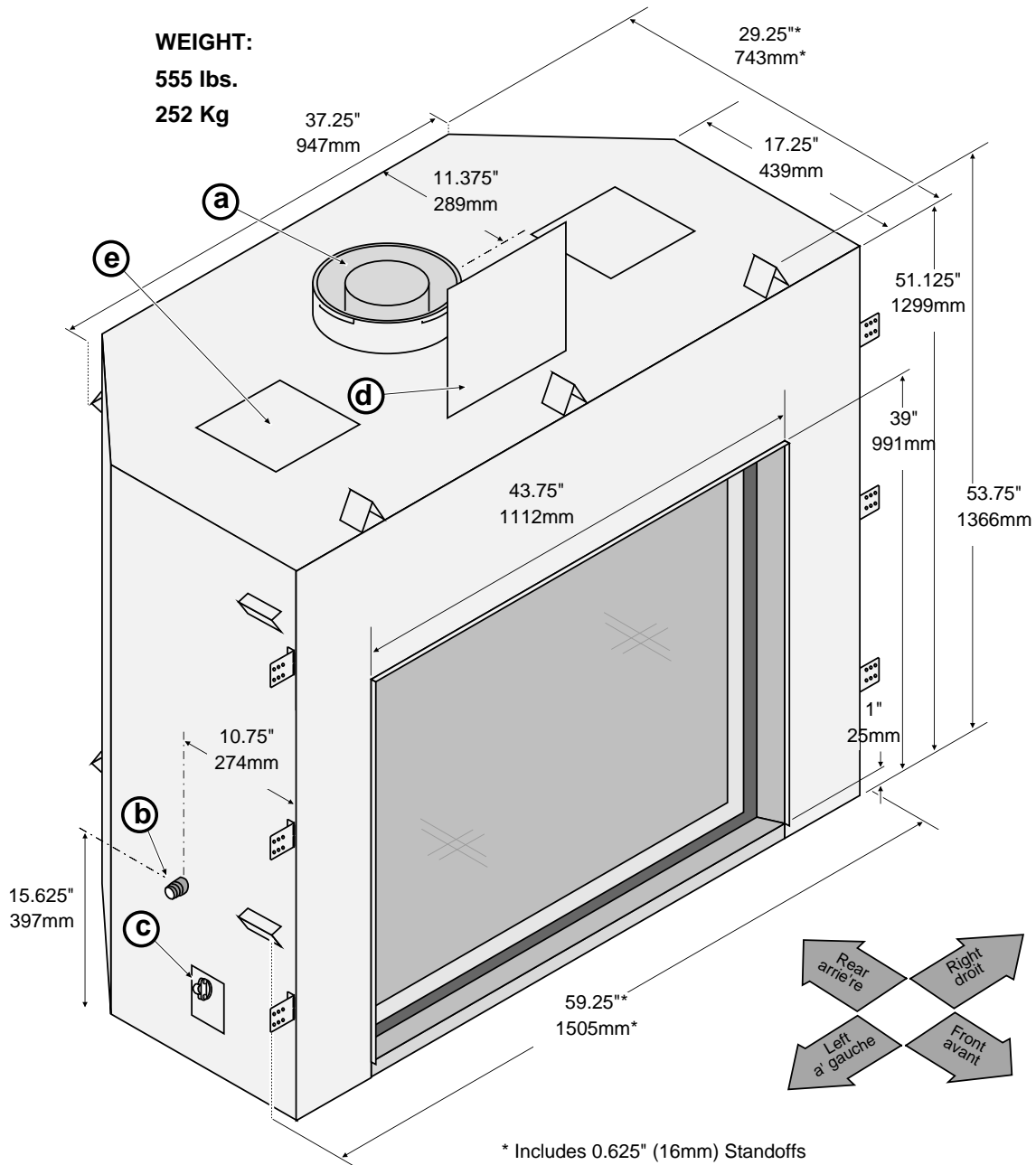
60,000
 Up to 3,000

Propane

60,000
 Up to 3,000

* Heating capacity will vary with floor plan, insulation, and outside temperature.

Dimensions



(a) 8" x 5" Co-Axial Vent (b) Gas Inlet (1/2" MPT) (c) Electrical Junction Box (d) Vertical Pipe Shield (e) Power Heat Duct

Packing List

Included Hardware

- Screen Box (shipped on front of fireplace, includes screen, trim, and optional tile stop)
- Owner's Pack (includes stainless mesh, ember chunks, rockwool)
- Exhaust Restrictor
- Remote Control
- Horizontal Termination Shield

Additional Equipment Required

- Log Set (Traditional or Bonfire)
- Firebacks
- LP Installations require GSR stepper motor (4-pack = 94400999, single = 250-01463)

Optional Equipment

- Andirons
- Power Heat Duct (1 or 2)
- Trim
- Ironwork Doors

Recommended Installation Procedure

- Frame the opening for the fireplace. Make sure to allow for vent installation.
- This fireplace is designed to accommodate 1/2" (13mm) drywall. Drywall may be mounted to the side of the fireplace (standard) or flush with the facing (flush) . See "Nailing Brackets" on page 14 for details). Secure the fireplace to the framing.
- Install the vent, gas line and electrical hook-up. We recommend you test operation of the fireplace at this point.
- Install the drywall.
- Install the hearth (if applicable).
- Install the facing (if applicable).
- Install the mantel (if applicable).
- Finalize the installation (see page 35).

Fireplace Unboxing and Moving Into Position

This fireplace is larger than most fireplaces and requires special attention when moving into position. The directions below are intended as a guideline for this process.



Do not lift the fireplace from below with lifting forks. This may cause the base to bend and warp.



Always use proper lifting techniques when moving heavy objects (bend your knees, not your back).



We recommend using the Travis Industries lifting handles (sku 98500711) for moving the fireplace. See the instructions included with the brackets for installation instructions.

1. Unpack the fireplace.
2. Remove the screen box in front of the firebox opening and place it aside.
3. Remove the glass frame and place it aside (the glass tool is located inside the fireplace to the right).
4. Remove the log box and place it aside. Remove the log stand (it may be recycled or discarded).
5. Remove the grate and place it aside (2 screws hold it in place).
6. The fireplace may now be moved into location once the internal components have been removed. We recommend using the Travis Industries lifting handles (sku 98500711) for this process. The handles attach to the two brackets attached to the side of the fireplace.
7. Unscrew the bolts on the side of the fireplace that secures the brackets to the pallet.
8. Move the fireplace into position, taking care not to damage the fireplace or surrounding area. If you do wish to move the fireplace with a forked stove-lift (e.g. Escalera), we recommend lifting from the firebox roof (place 2x4's into the firebox to distribute the load).
9. Once the fireplace is near its final position, remove the shipping brackets from the side of the fireplace and slide it into place.

Massachusetts Requirements

NOTE: The following requirements reference various Massachusetts and national codes not contained in this document.

Requirements for the Commonwealth of Massachusetts

For all side wall horizontally vented gas fueled equipment installed in every dwelling, building or structure used in whole or in part for residential purposes, including those owned or operated by the Commonwealth and where the side wall exhaust vent termination is less than seven (7) feet above finished grade in the area of the venting, including but not limited to decks and porches, the following requirements shall be satisfied:

Installation of Carbon Monoxide Detectors

At the time of installation of the side wall horizontal vented gas fueled equipment, the installing plumber or gasfitter shall observe that a hard wired carbon monoxide detector with an alarm and battery back-up is installed on the floor level where the gas equipment is to be installed. In addition, the installing plumber or gasfitter shall observe that a battery operated or hard wired carbon monoxide detector with an alarm is installed on each additional level of the dwelling, building or structure served by the side wall horizontal vented gas fueled equipment. It shall be the responsibility of the property owner to secure the services of qualified licensed professionals for the installation of hard wired carbon monoxide detectors.

In the event that the side wall horizontally vented gas fueled equipment is installed in a crawl space or an attic, the hard wired carbon monoxide detector with alarm and battery back-up may be installed on the next adjacent floor level.

In the event that the requirements of this subdivision can not be met at the time of completion of installation, the owner shall have a period of thirty (30) days to comply with the above requirements; provided, however, that during said thirty (30) day period, a battery operated carbon monoxide detector with an alarm shall be installed.

Approved Carbon Monoxide Detectors

Each carbon monoxide detector as required in accordance with the above provisions shall comply with NFPA 720 and be ANSI/UL 2034 listed and IAS certified.

Signage

A metal or plastic identification plate shall be permanently mounted to the exterior of the building at a minimum height of eight (8) feet above grade directly in line with the exhaust vent terminal for the horizontally vented gas fueled heating appliance or equipment. The sign shall read, in print size no less than one-half (1/2) inch in size, "GAS VENT DIRECTLY BELOW. KEEP CLEAR OF ALL OBSTRUCTIONS".

Inspection

The state or local gas inspector of the side wall horizontally vented gas fueled equipment shall not approve the installation unless, upon inspection, the inspector observes carbon monoxide detectors and signage installed in accordance with the provisions of 248 CMR 5.08(2)(a)1 through 4.

Exemptions

The following equipment is exempt from 248 CMR 5.08(2)(a)1 through 4:

- The equipment listed in Chapter 10 entitled "Equipment Not Required To Be Vented" in the most current edition of NFPA 54 as adopted by the Board; and
- Product Approved side wall horizontally vented gas fueled equipment installed in a room or structure separate from the dwelling, building or structure used in whole or in part for residential purposes.

MANUFACTURER REQUIREMENTS

Gas Equipment Venting System Provided

When the manufacturer of Product Approved side wall horizontally vented gas equipment provides a venting system design or venting system components with the equipment, the instructions provided by the manufacturer for installation of the equipment and the venting system shall include:

- Detailed instructions for the installation of the venting system design or the venting system components; and
- A complete parts list for the venting system design or venting system.

Gas Equipment Venting System NOT Provided

When the manufacturer of a Product Approved side wall horizontally vented gas fueled equipment does not provide the parts for venting the flue gases, but identifies "special venting systems", the following requirements shall be satisfied by the manufacturer:

- The referenced "special venting system" instructions shall be included with the appliance or equipment installation instructions; and
- The "special venting systems" shall be Product Approved by the Board, and the instructions for that system shall include a parts list and detailed installation instructions.

A copy of all installation instructions for all Product Approved side wall horizontally vented gas fueled equipment, all venting instructions, all parts lists for venting instructions, and/or all venting design instructions shall remain with the appliance or equipment at the completion of the installation.

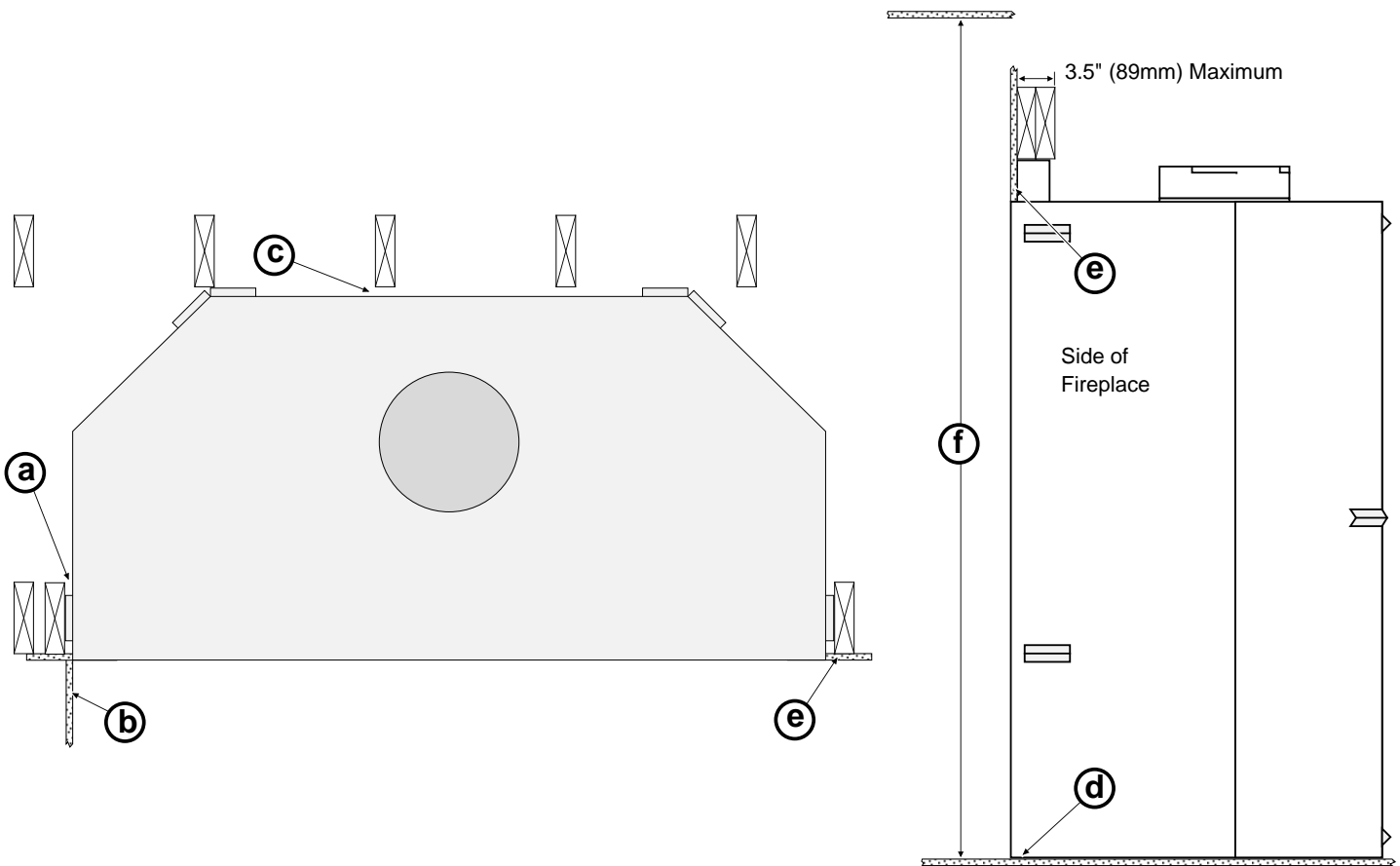
See Gas Connection section for additional Commonwealth of Massachusetts requirements.

Fireplace Placement Requirements

- Fireplace must be installed on a level surface capable of supporting the fireplace and vent
- Fireplace must be placed directly on wood or non-combustible surface (not on linoleum or carpet)
- Fireplace should be located out of traffic and away from furniture and draperies.
- Fireplace may be placed in a bedroom (be aware of the large amount of heat from this fireplace).

Clearances

- Clearance to Sides of Fireplace: 5/8" (16mm) – 0" to standoffs – see "e" below for exception
- Clearance to Adjacent Walls in Front of Fireplace: 0"
- Clearance to Back of Fireplace: 5/8" (16mm) – 0" to standoffs
- Clearance to Bottom of Fireplace: 0" (may be placed directly on subfloor)
- Drywall (or other combustibles) may contact the front 1/2" (13mm) of the fireplace along the top and sides
- The base of the fireplace must be a minimum 61" (1550mm) below the room ceiling



Raised Fireplaces

- The fireplace (and hearth, if desired) may be placed on a platform designed to support the fireplace and vent.
- The base of the fireplace must be a minimum 61" (1550mm) below the room ceiling.



The firebox opening is 1" (26mm) above the base of the fireplace. For a typical raised fireplace of 10" (254mm), place the fireplace on a platform 9" (229mm) tall.

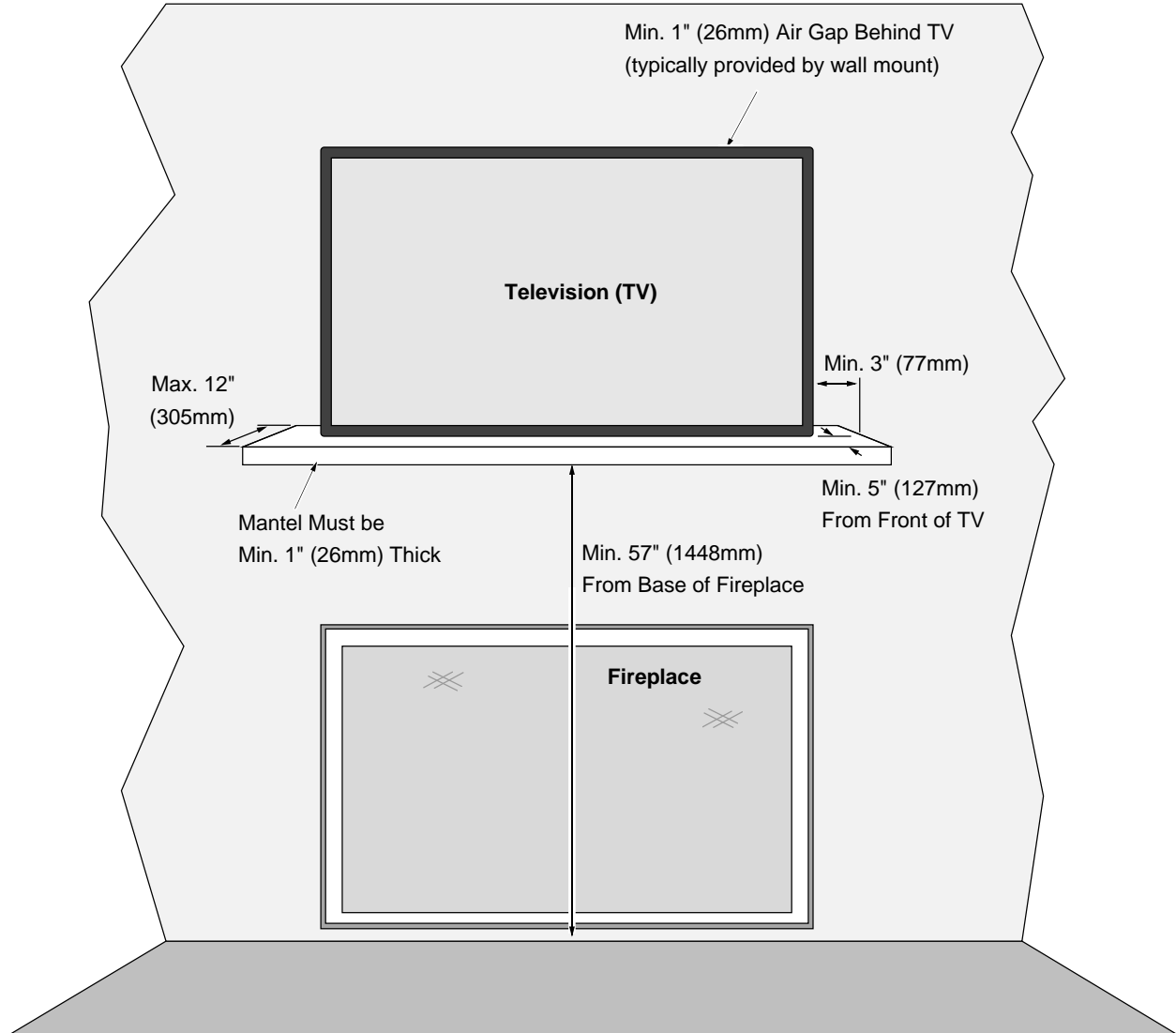
Televisions Placed Above the Fireplace

The following section details three methods to allow for television installation above the fireplace.

Using a Mantel Between the Fireplace and Television

IMPORTANT NOTE REGARDING TELEVISIONS AND THIS FIREPLACE

Most television manufacturers instruct the homeowner to not place the television above a heat source. Doing so may negatively affect the longevity of the television and may negate the warranty. If you do place a television above the fireplace, please be aware of the large amount of heat generated by the fireplace and consider placing the television above a mantel to reduce the amount of heat that reaches the television. The homeowner must understand that Travis Industries does not take responsibility for any negative impact to televisions placed near this fireplace.



Minimum Dimensions:

Minimum Mantel Height above Base of Fireplace	57" (1448mm)
Maximum Mantel Depth	12" (306mm)

NOTE: The mantel

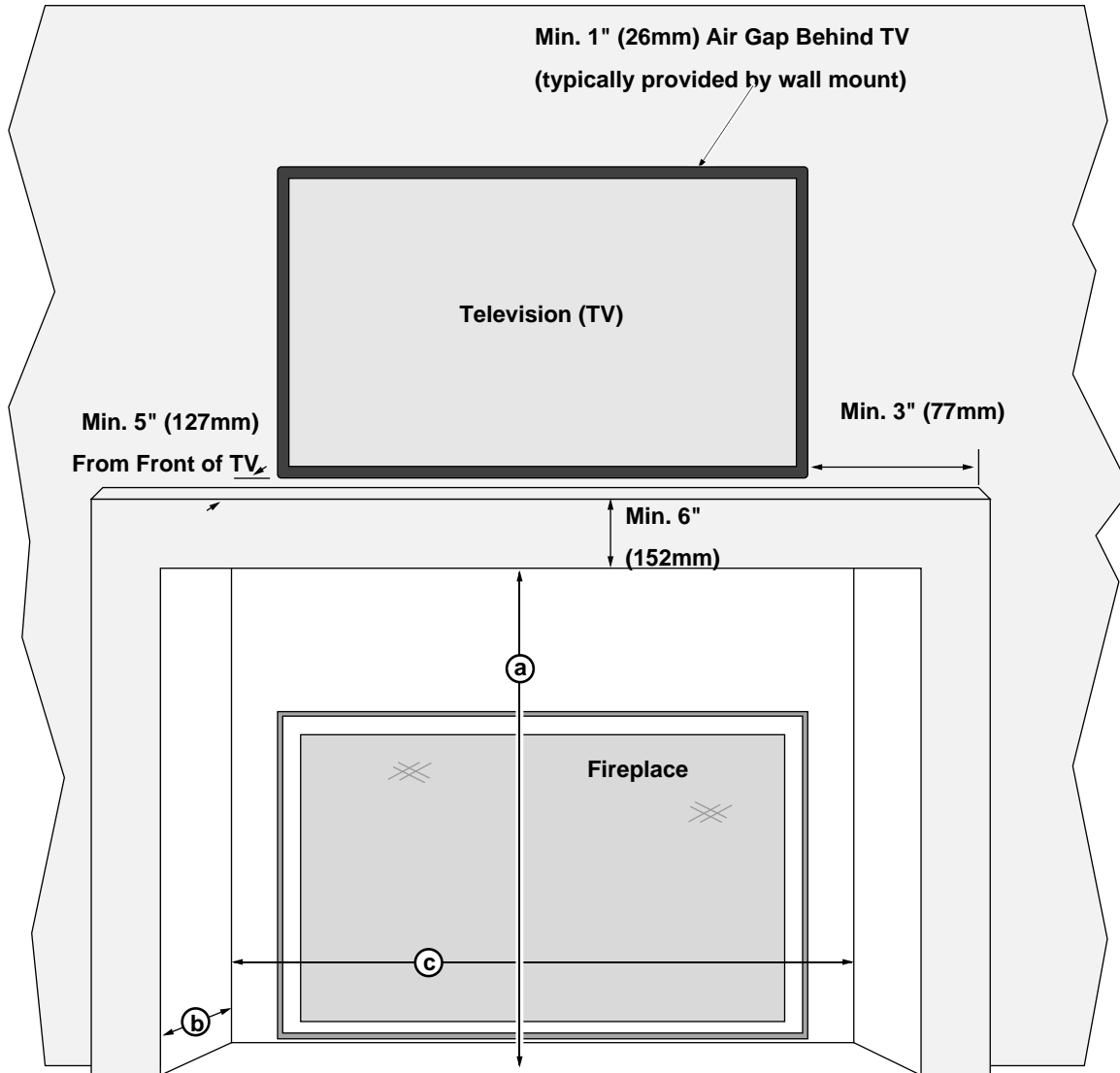
must extend 5" in front of the TV and 3" to both sides.

WIRING NOTE: If running wiring into the enclosure, use thermal insulating wrap around the wiring. Secure the wiring to protect from contact with hot surfaces.

Using a Buildout Below a Television

IMPORTANT NOTE REGARDING TELEVISIONS AND THIS FIREPLACE

Most television manufacturers instruct the homeowner to not place the television above a heat source. Doing so may negatively affect the longevity of the television and may negate the warranty. If you do place a television above the fireplace, please be aware of the large amount of heat generated by the fireplace and consider placing the television above a mantel to reduce the amount of heat that reaches the television. The homeowner must understand that Travis Industries does not take responsibility for any negative impact to televisions placed near this fireplace.



Minimum Dimensions:

(a) Minimum Buildout Height above Base of Fireplace	57" (1448mm)
(b) Maximum Buildout Depth	12" (306mm)
(c) Minimum Fireplace Buildout Width	59.25" (1575mm)

NOTE: The buildout must extend 5" in front of the TV and 3" to both sides.

WIRING NOTE: If running wiring into the enclosure, use thermal insulating wrap around the wiring. Secure the wiring to protect from contact with hot surfaces.

Minimum Framing Dimensions

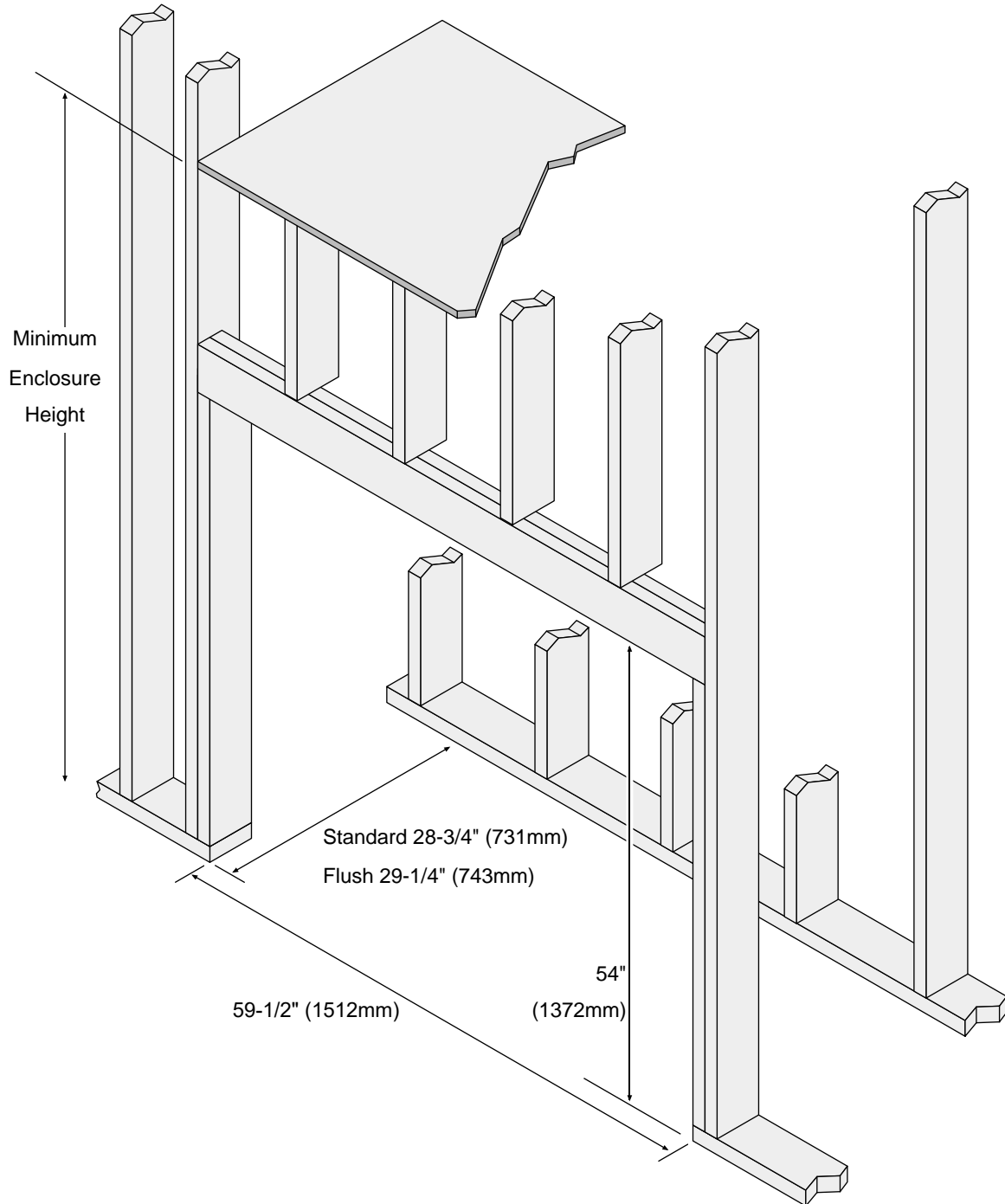
Minimum Enclosure Height – Minimum Vent Configurations or Any System Height Under 10'

-- Minimum enclosure height is 89" (2261mm)

Minimum Enclosure Height –Vent Configurations with System Height 10' or Higher

-- Minimum enclosure height is 61" (1550mm)

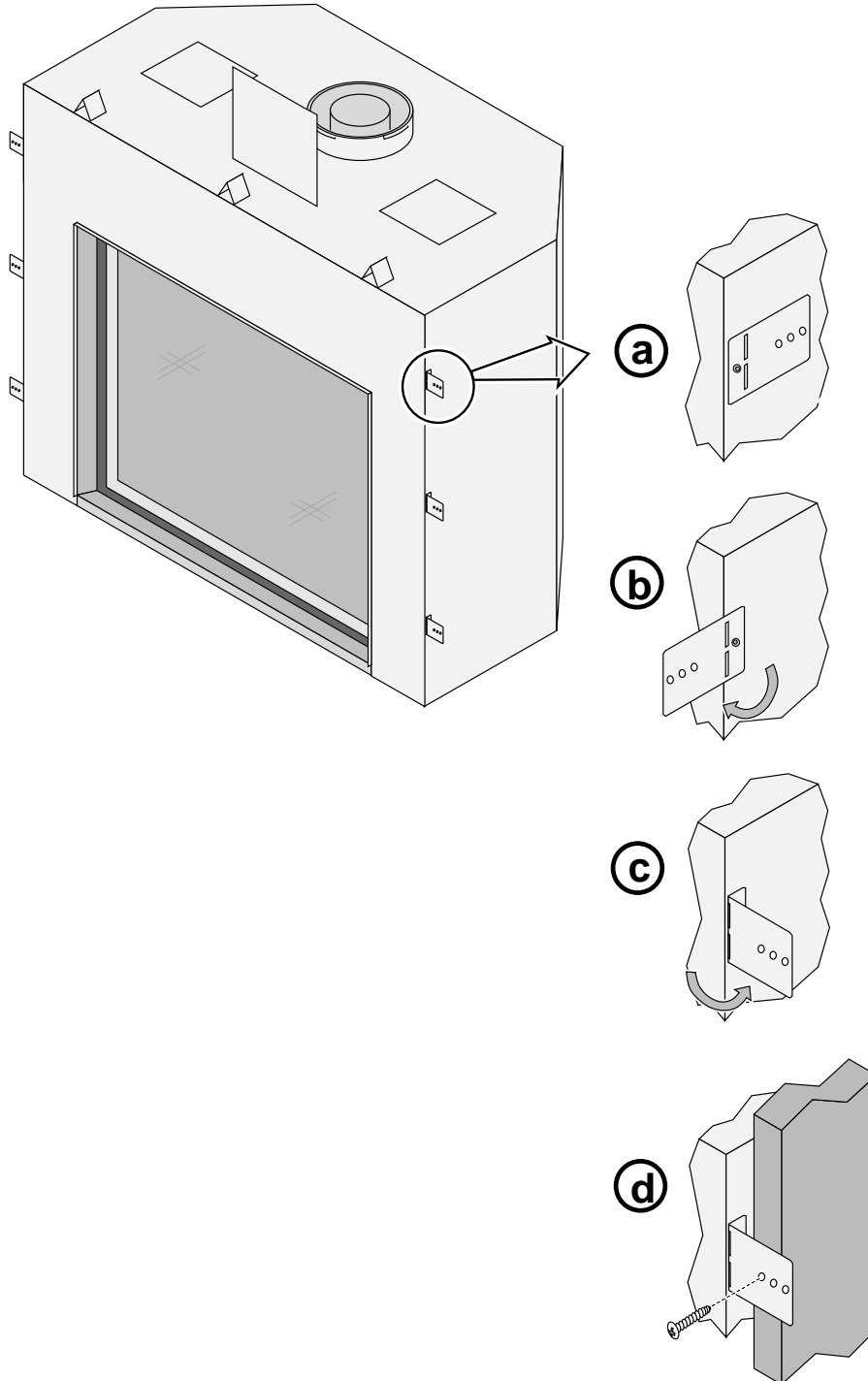
-- Vent must pass vertically through the enclosure before an elbow is placed on the vent.



Nailing Brackets – Flush Install

The fireplace has three (3) nailing brackets on each side. In the flush position, the brackets are flush with the front edge of the fireplace (see illustration below). This allows for the facing underlayment (such as HardieBacker® cement board or other non-combustible) to butt up to the drywall (see “Facing Requirements” for details). Once the fireplace is properly placed, secure the fireplace to the framing (see illustration below).

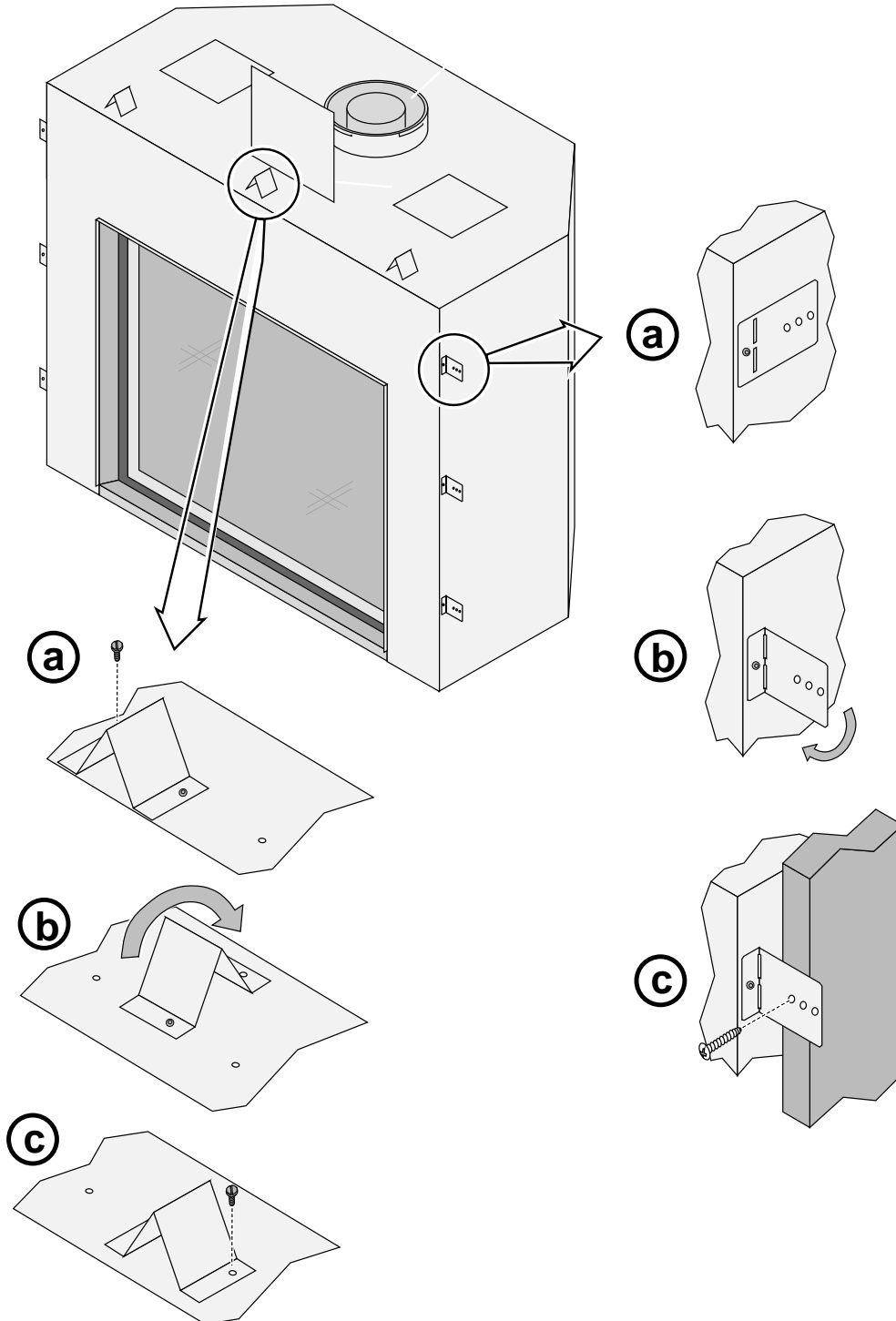
NOTE: Make sure the fireplace is square and plumb when placed in the framing. Measured corner-to-corner the fireplace should be square. Use shims to insure the fireplace is square.



Nailing Brackets – Extended Install

The fireplace has three (3) nailing brackets on each side. In the standard position, the brackets are 0.5" (13mm) from the front edge of the fireplace (see illustration below). This allows for tile (or other non-combustible) to be placed over the fireplace and surrounding drywall (see "Facing Requirements" for details). Once the fireplace is properly placed, secure the fireplace to the framing (rotate the nailing brackets as shown below).

NOTE: Make sure the fireplace is square and plumb when placed in the framing. Measured corner-to-corner the fireplace should be square. Use shims to insure the fireplace is square.



Corner Installations

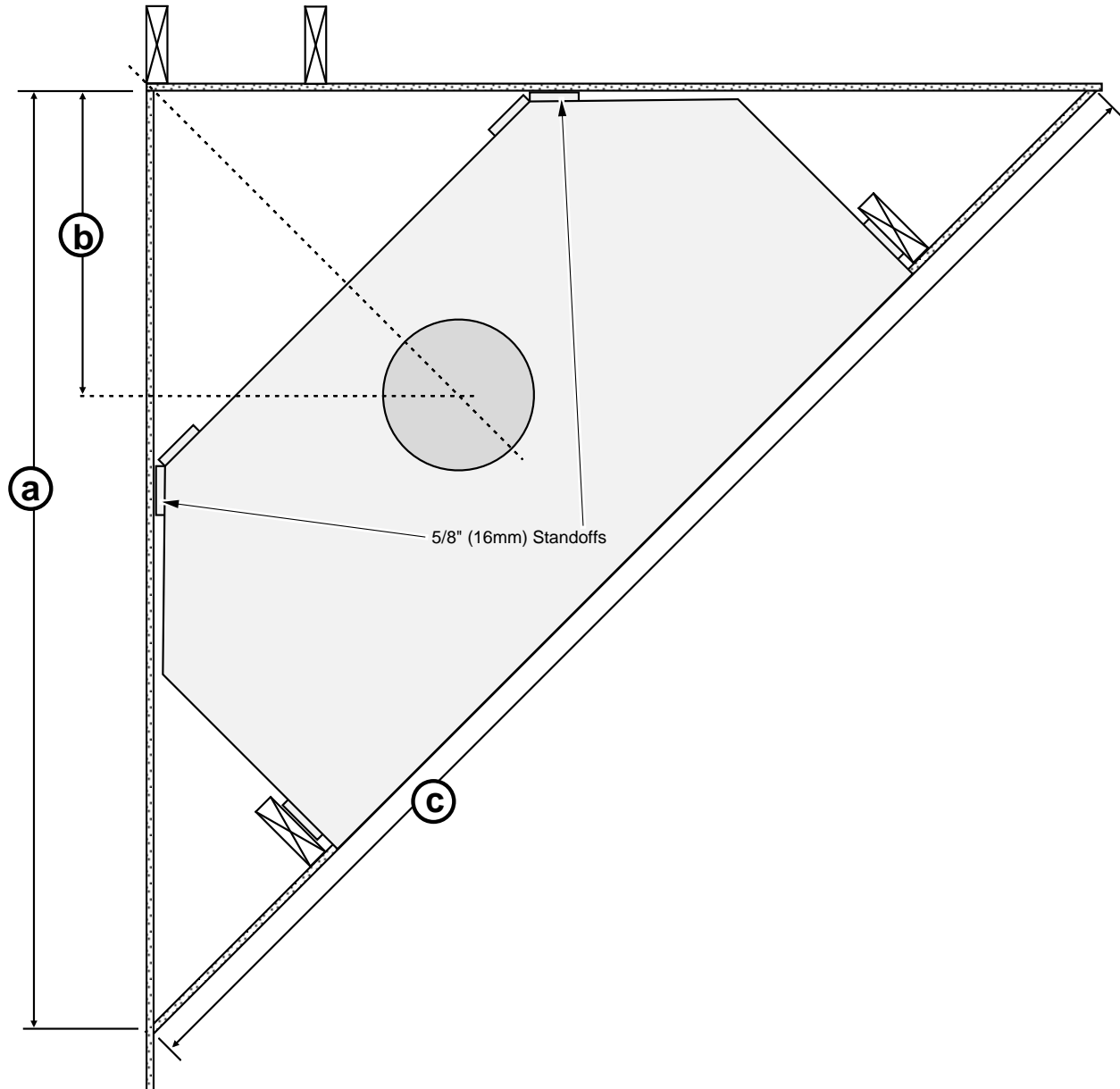
Approximate framing dimensions for 45° installations are shown below. Additional space may be required for vent installation.

(a) 68.75" (1747mm)*

(b) 22.25" (566mm)

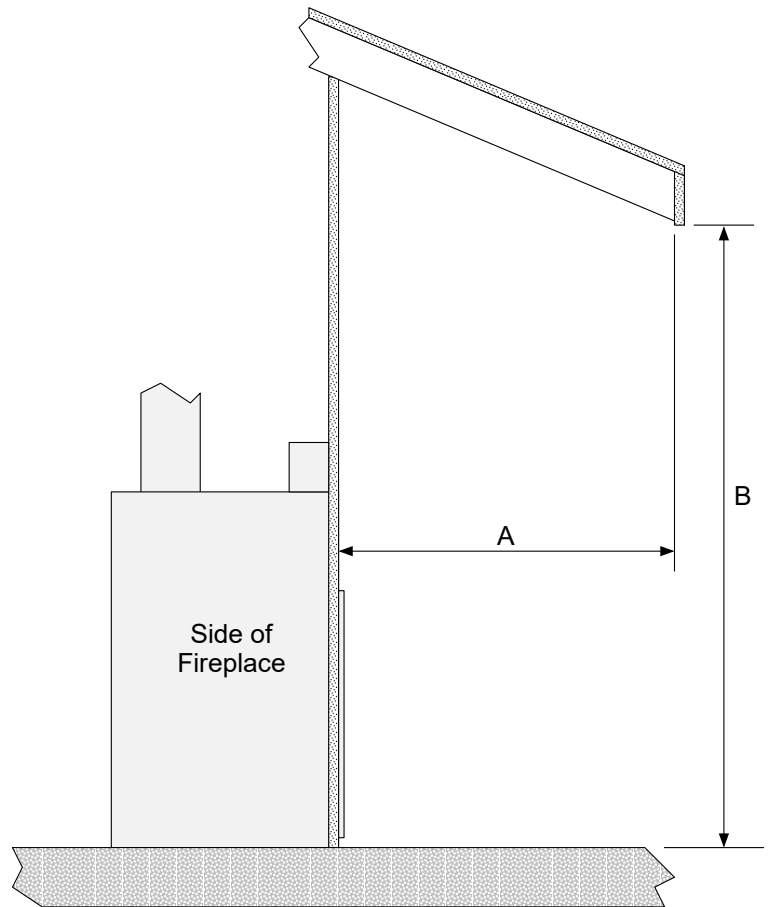
(c) 97.25" (2471mm)

* These dimensions are for flush installations.



Outdoor fireplace installations

Travis Industries Inc. gas-fired fireplaces are suitable for installation into outdoor areas protected from direct water impingement. In addition to maintaining listed mantel and combustibles clearances, a rain protection overhang factor of 1/2 shall be constructed to the front and to each side of installed appliances (see the illustration to the right). All wiring connections to line power shall be in accordance with outdoor requirements of NECA NFPA 70.



The overhang (A) must extend at least 1/2 the roofline height (B). Height is measured from the base of the fireplace.

For example: if the roofline (B) is 8' above the base of the fireplace, the overhang (A) must be at least 4'.

Gas Line Requirements

MASSACHUSETTS INSTALLATIONS - **WARNING:**

THIS PRODUCT MUST BE INSTALLED BY A LICENSED PLUMBER OR GAS FITTER WHEN INSTALLED WITHIN THE COMMONWEALTH OF MASSACHUSETTS.

OTHER MASSACHUSETTS CODE REQUIREMENTS:

- Flexible connector must not be longer than 36 inches.
- Shutoff valve must be a "T" handle gas cock.
- Only direct vent sealed combustion products are approved for bedrooms or bathrooms.
- Fireplace dampers must be removed or welded in the open position prior to the installation of a fireplace insert or gas log.
- A carbon monoxide (CO) detector is required in the same room as the appliance.

- The gas line must be installed in accordance with all local codes and the requirements listed below. In the absence of local codes, follow ANSI 223.1 in US/Canada or AS/NZS 5601.1 in Australia.
- The fireplace and gas control valve must be disconnected from the gas supply piping during any pressure testing of that system at test pressures in excess of 1/2 psig (3.5 kPA). For pressures under 1/2 psig (3.5 kPA), isolate the gas supply piping by closing the manual shutoff valve.
- Leak test all gas line joints and the gas control valve prior to and after starting the fireplace.
- This unit has been listed using the included internal gas shutoff valve.

Fuel

- This fireplace is designed either for natural gas or for propane (but not for both).

Gas Line Connection

- Installation must be performed by a qualified installer, service agency or the gas supplier (In Massachusetts a licensed plumber/gasfitter).

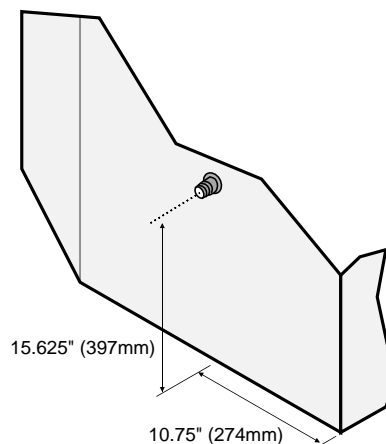
Gas Inlet Pressure

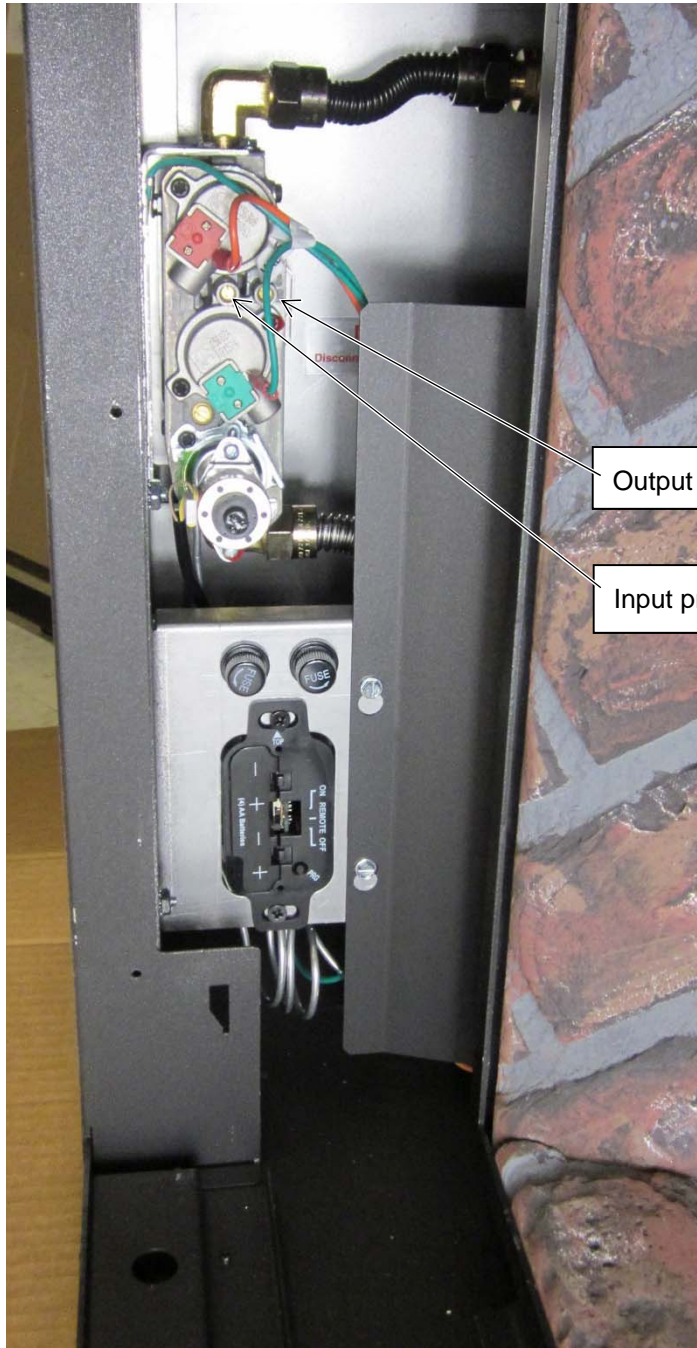
	Maximum Input Pressure	Minimum Input Pressure
Natural Gas	7" W.C. (1.74 kPA)	5.5" W.C. (1.37 kPA)
Propane	13" W.C. (3.23 kPA)	11" W.C. (2.74 kPA)

- If the pressure is not sufficient, make sure the piping used is large enough, the supply regulator is adequately adjusted, and the total gas load for the residence does not exceed the amount supplied.
- The supply regulator (the regulator that attaches directly to the residence inlet or to the propane tank) should supply gas at the input pressure listed above. Contact the local gas supplier if the regulator is at an improper pressure.

Gas Line Location

The gas line is located on the left side of the appliance in the location shown below. The gas inlet accepts a 1/2" FPT.





Directions for Connecting a Gas Pressure Test Gauge

The gas control valve (shown to the left) has two accessible ports for testing line pressure and output pressure. Loosen the brass screw on either test port and place a 5/16" i.d. rubber or plastic tubing over the tapered test port. Connect the tubing to the test gauge.

WARNING: The brass screw must be tightened after testing to prevent gas leakage.

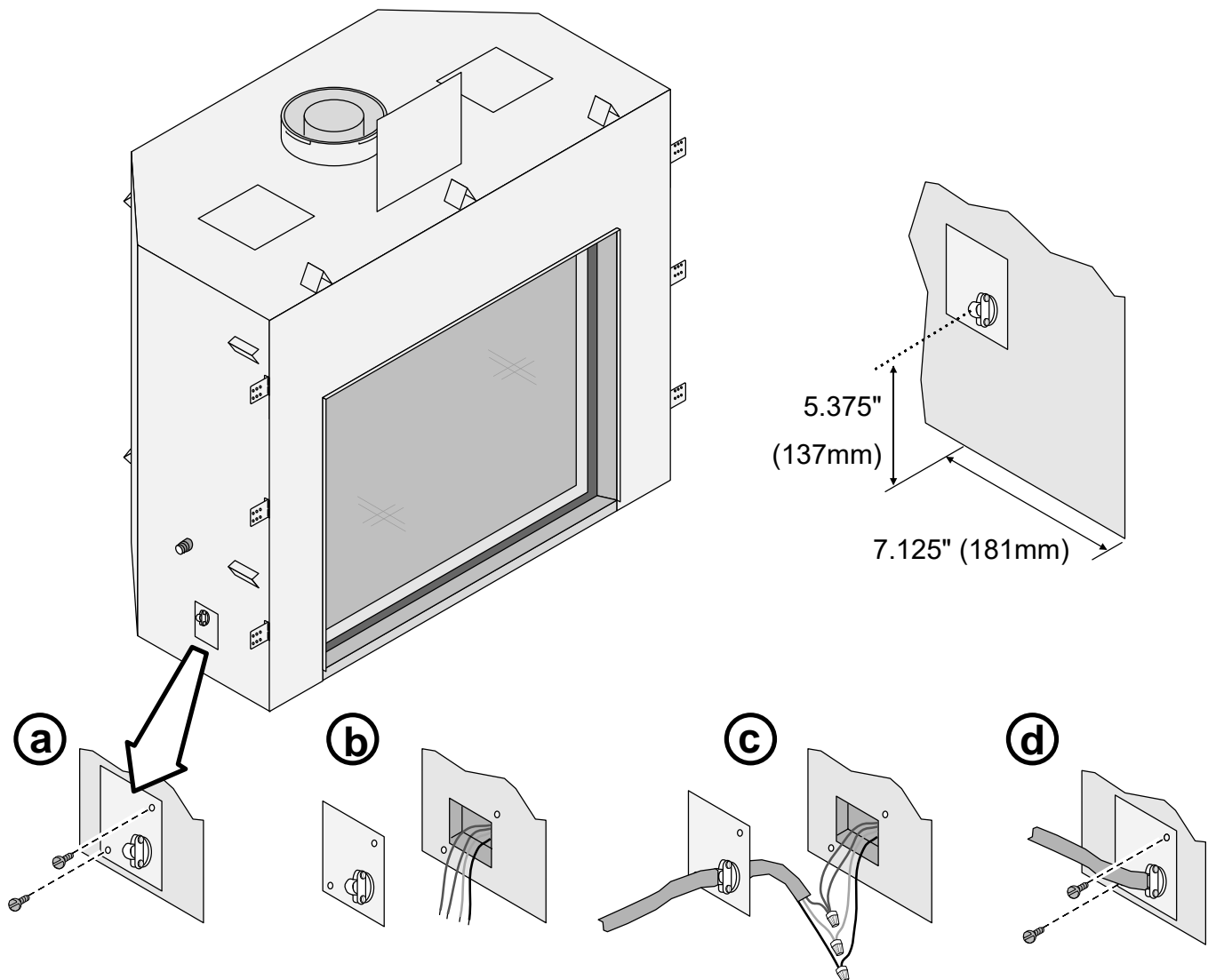
Output pressure

Input pressure

Electrical Connection

- The electrical line must be connected to the wires inside the junction box (hot, common, and 2 ground wires) by a qualified installer or electrician and must meet all local codes.
- Make sure the household breaker is shut off prior to working on any electrical lines.
- The appliance, when installed, must be electrically grounded in accordance with local codes or, in the absence of local codes, with the National Electrical Code, ANSI/NFPA 70, or the Canadian Electrical Code, CSA C22.1.
- The electrical line must be a min. 14 gauge, and supply 120 Volts, 60 Hz (typical max amps: 5).
- Route the electrical connection through the zc cover plate and junction box cover plate and attach to the hookup wires pictured below.

Caution: Label all wires prior to disconnection when servicing controls. Wiring errors can cause improper and dangerous operation.



Vent Requirements

- The gas appliance and vent system must be vented directly to the outside of the building, and never be attached to a chimney serving a separate solid fuel or gas-burning appliance. Each direct vent gas appliance must use its own separate vent system.
- In addition to the requirements listed here, follow the requirements provided with the vent.

Drafting Performance

This direct vent appliance requires natural draft to operate (similar to a wood stove or other heating appliance). Draft can be adjusted using the included restrictor. The restrictor settings detailed in the manual should be followed (variations may occur depending upon installation parameters).

Many factors may negatively influence the draft of the appliance. Travis Industries will not be responsible for improper draft due to factors such as trees, hills, buildings, obstructions, excessive wind, extreme hot or cold outdoor temperatures, restrictive vent terminations, or influence from mechanical systems.

Vent Clearances

Minimum Clearance to Vent	1" (25mm)
---------------------------	-----------

Vertical Penetrations Require Vent Firestop

- A firestop (58DVA-FS) is required whenever the vent penetrates a ceiling, roof, or other horizontal structure (passes through framing members).

Horizontal Penetrations Require Thimble

- A wall thimble (58DVA-WT) is required whenever the vent penetrates a wall or other vertical structure (passes through framing members).

Altitude Considerations

- This fireplace has been tested at altitudes ranging from sea level to 6,000 feet (1800 M). In this testing we have found that the fireplace, with its standard orifice, burns correctly with just an air shutter adjustment.
- Failure to adjust the air shutter properly may lead to improper combustion which can create a safety hazard. Consult your dealer or installer if you suspect an improperly adjusted air shutter.

Approved Vent

- Use 8" diameter Simpson Dura-Vent Model Direct-Vent Pro (or GS)*.
 - Installation instructions for Simpson Dura-Vent may be found at www.duravent.com.
- * Other vent may be approved with this fireplace. Check with the vent manufacturer for details).

Approved Vent Terminations

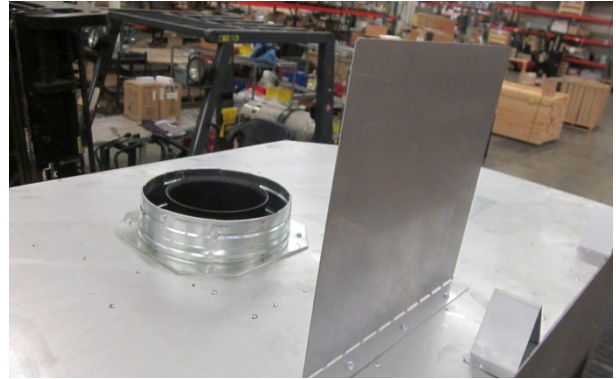
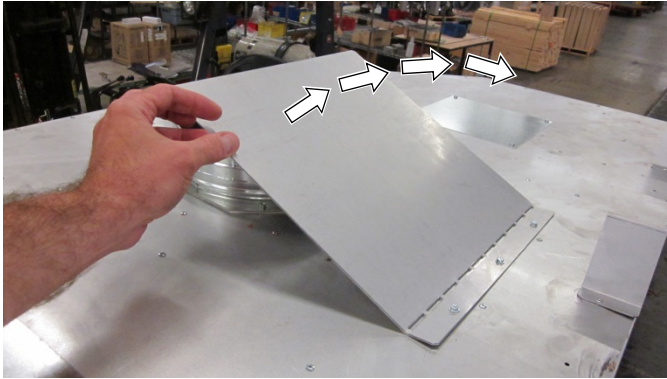
- Horizontal terminations require the high-wind cap (58DVA-HC), vinyl standoff (58DVA-VSS), and the horizontal termination shield (included with the fireplace). **The high-wind scone cap and the snorkel cap are not allowed.**
- Vertical terminations require the high-wind cap (58DVA-VCH).

Vent Installation

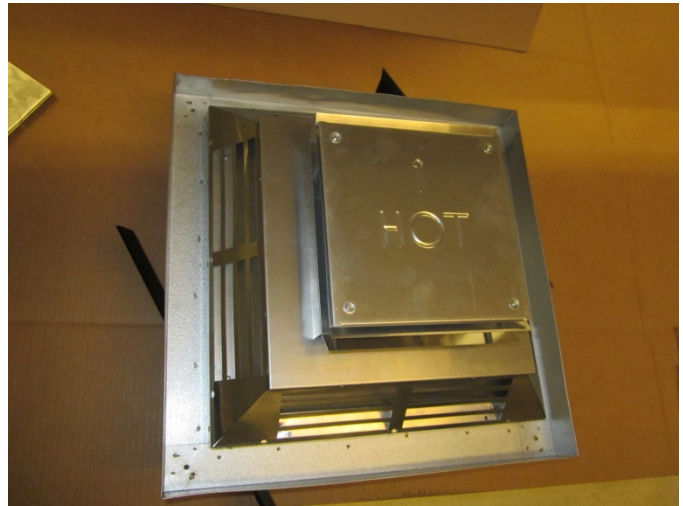
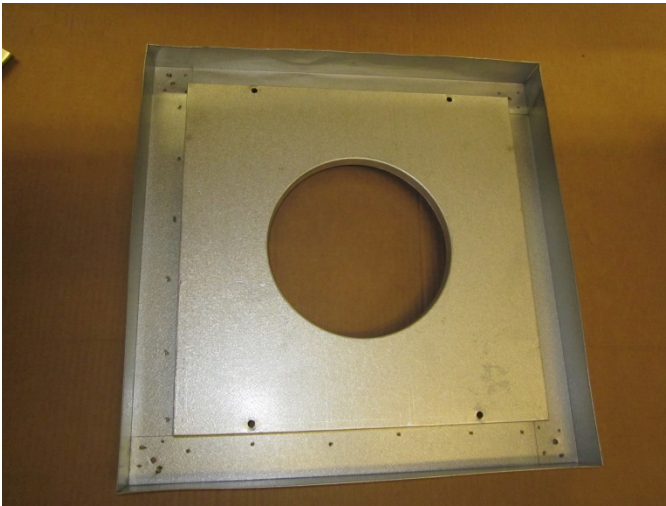
- Slide the vent sections together and turn 1/4 turn until the sections lock in place.
- Screws are not required to secure the vent. However, three screws may be used to secure vent sections together if desired.
- High temperature sealant is recommended at the appliance starter section connection (use high-temperature silicone or Mill-Pac®).
- If disassembly is required, at time of re-assembly check to see if the vent creates a tight fit. If it does not, apply high temperature sealant to the joints of the affected sections.
- Horizontal sections require a 1/4" (6mm) rise every 12" (305mm) of travel.
- Horizontal sections require non-combustible support every three feet (e.g.: plumbing strap).

Vertical Pipe Shield

Bend vertical pipe shield up to a vertical position as shown below.

**Horizontal Terminations Require Vinyl Standoff and Termination Shield**

Every horizontal termination requires a vinyl standoff.



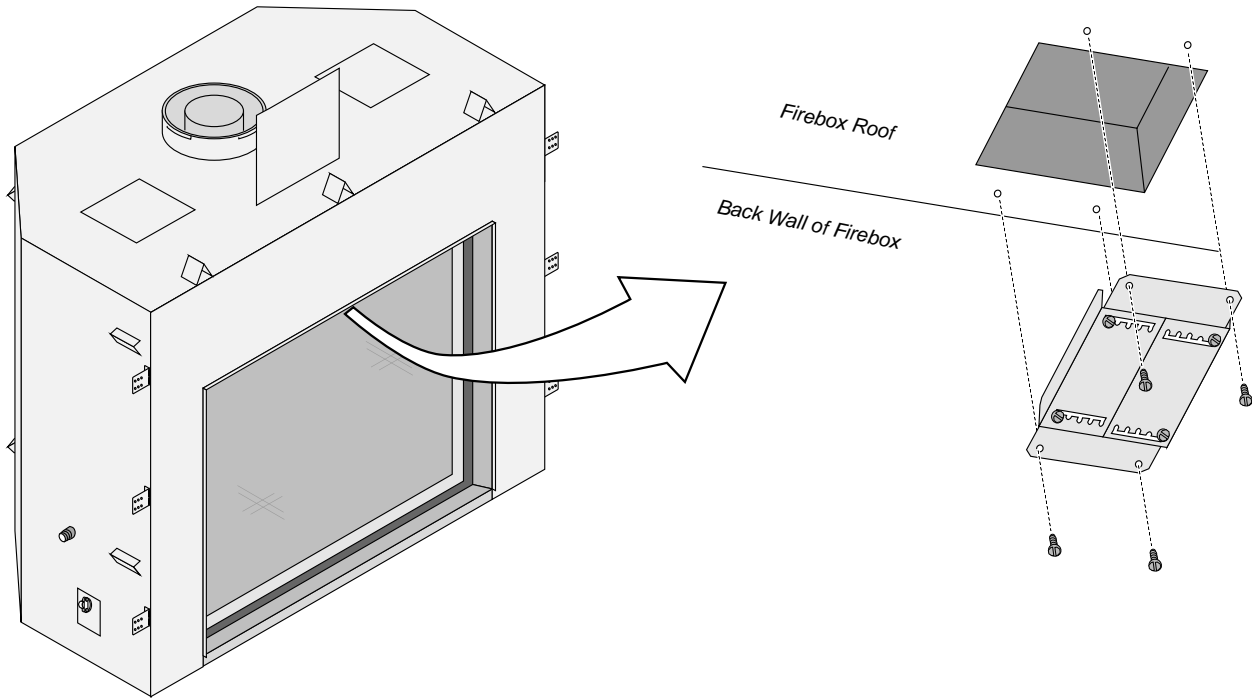
Attach the horizontal termination shield to the top of the horizontal termination as shown below (use the 4 included self-drilling screws). Note how the screws are installed from the top down.



Exhaust Restrictor

Depending upon the vent configuration, the exhaust restrictor may need to be installed (see vent configurations for details).

If the restrictor is required, install it into the firebox roof as shown below. The restrictor is shipped pre-assembled in position # 1

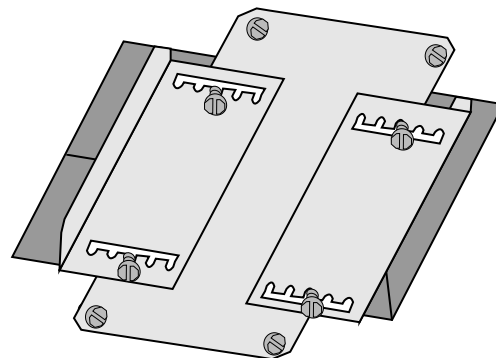
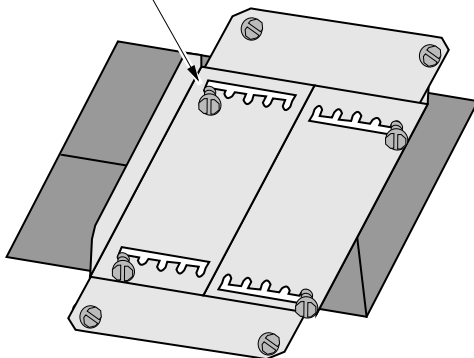


To adjust the restrictor to a different position, loosen the 4 screws holding the adjuster plates in place. Slide the to the correct notch (each notch is sequential, position # 1 through 5). Tighten the screws to secure the adjuster plates.



1/4" Nutdriver

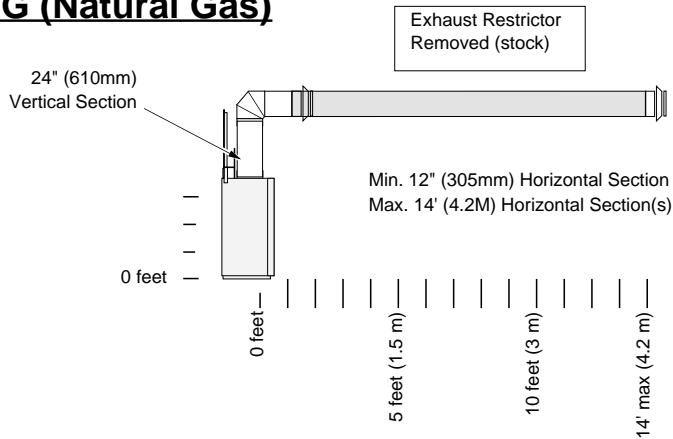
This restrictor is in position #3.



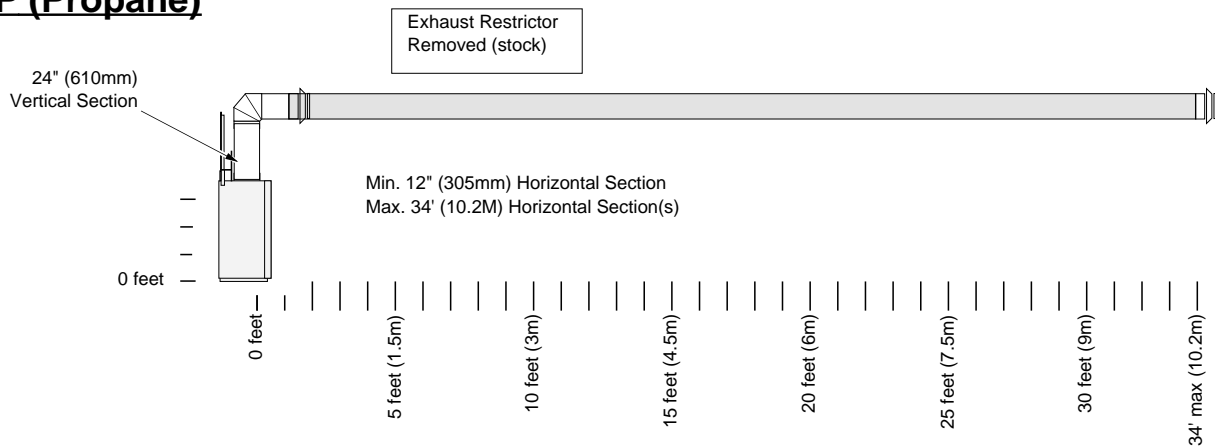
Minimum Vent Configuration

- **Use 5x8" Diameter Coaxial Vent**
- **You must use a 24" vertical section directly off the top of the fireplace followed by a 90° elbow.**
- The termination must fall within the shaded area shown in the charts below. Use the indicated restrictor positions.
- One 45° elbow may be used on the horizontal run.

NG (Natural Gas)

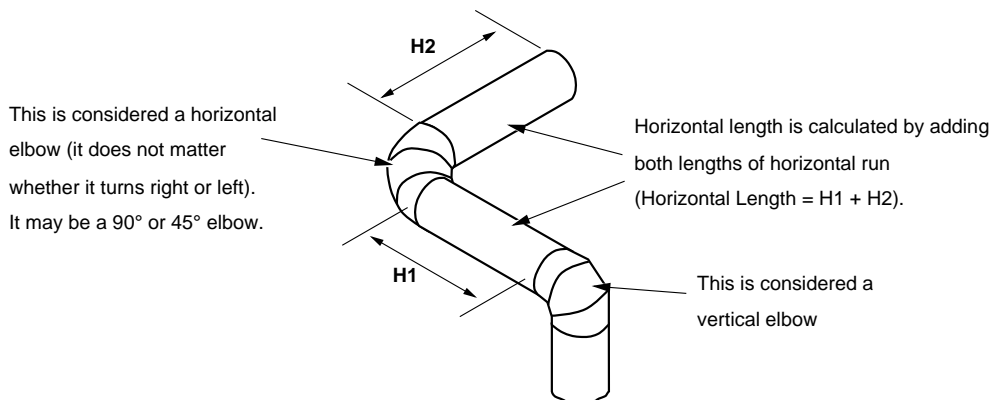
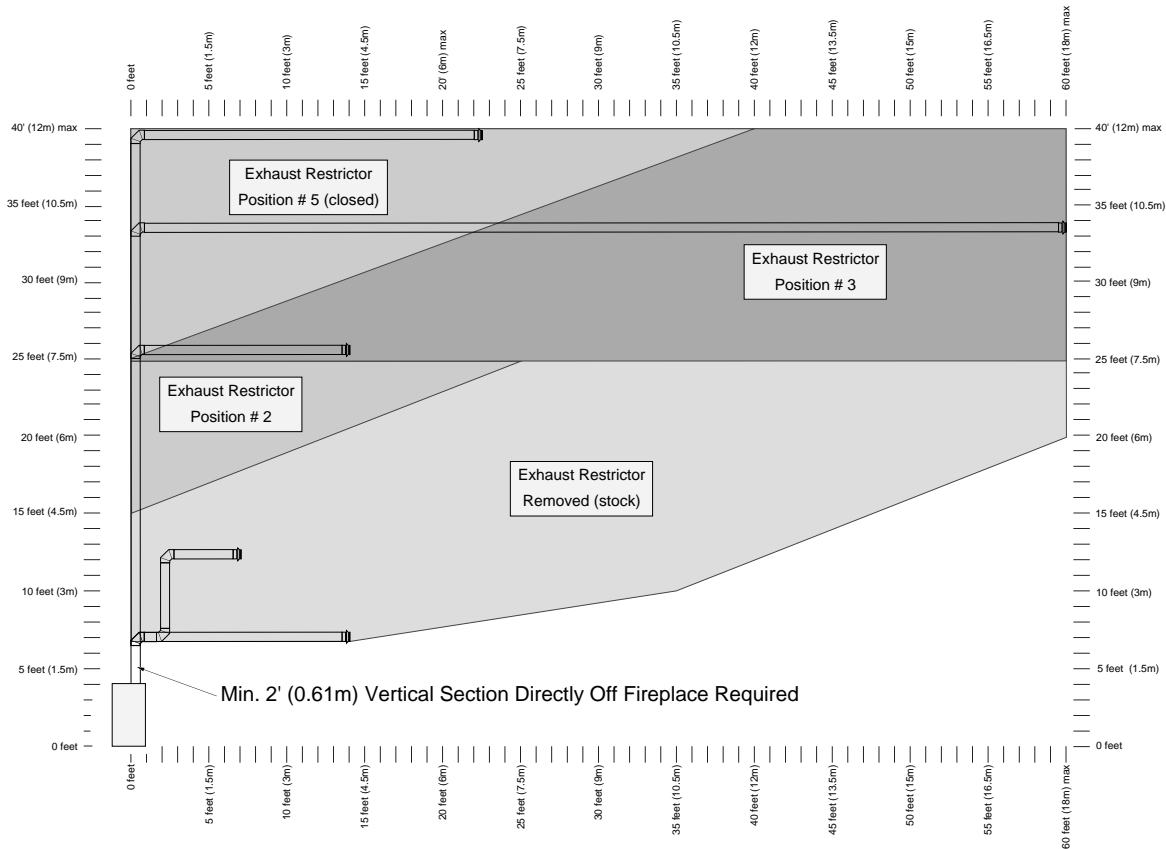


LP (Propane)



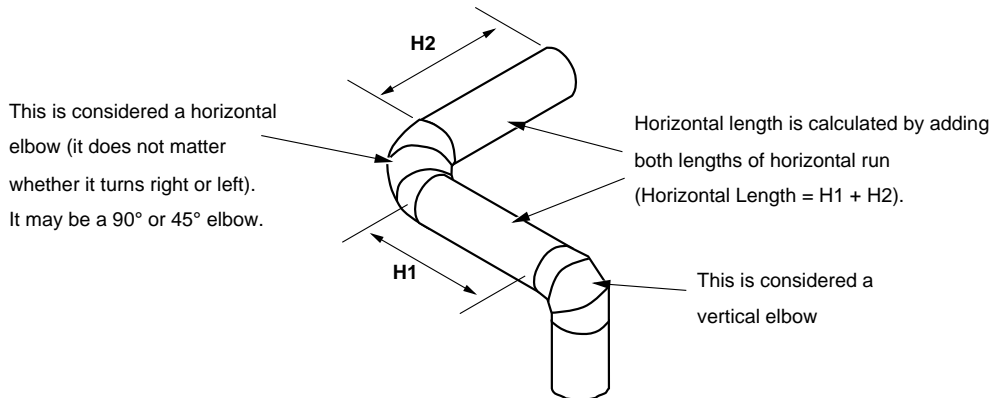
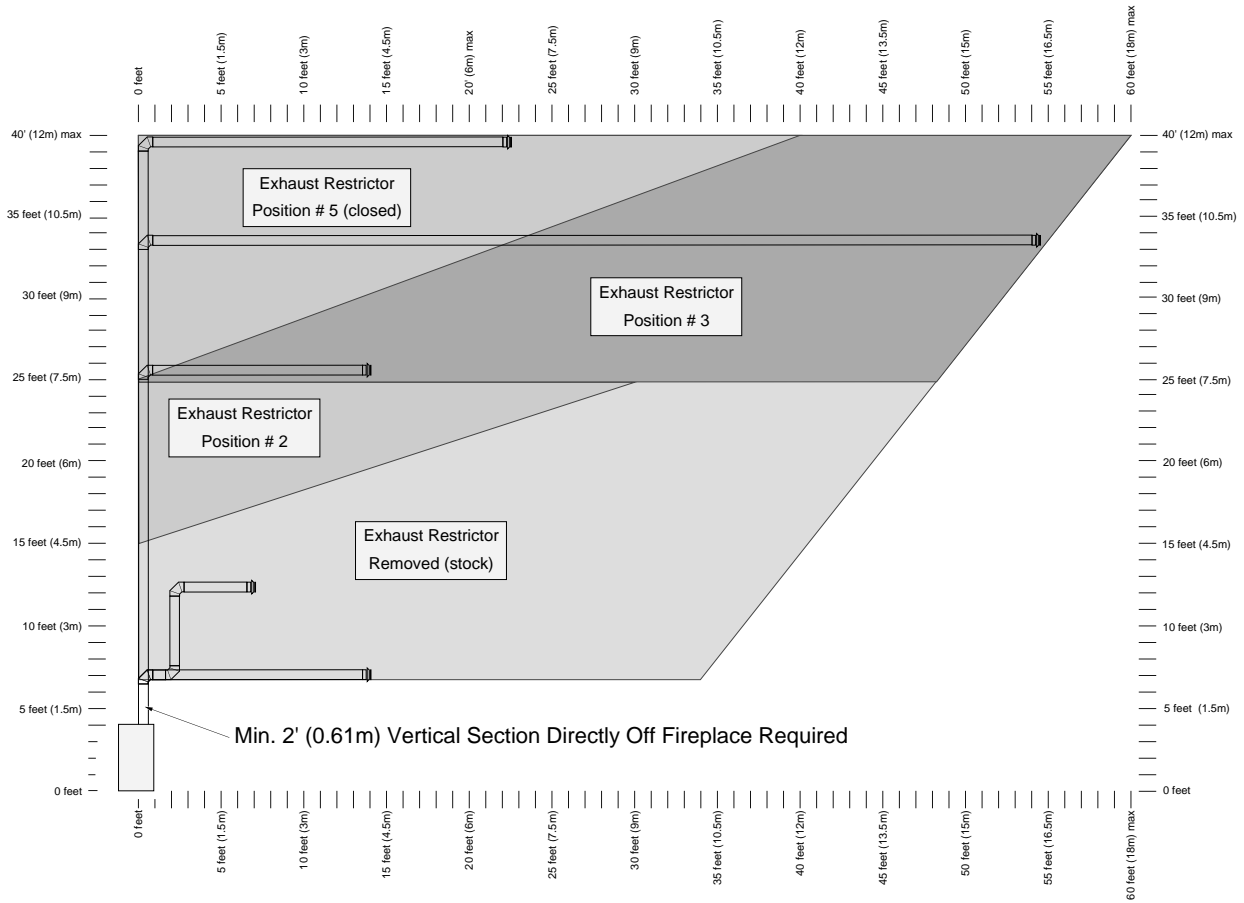
Vent Configuration: Horizontal Terminations using NG

- The termination must fall within the shaded area shown in the chart below.
- A maximum of 3 elbows may be used. Only 1 elbow may be a horizontal elbow (see illustration below).
- Horizontal terminations require the high-wind cap (58DVA-HC), vinyl standoff (58DVA-VSS), and the horizontal termination shield (included with the fireplace). **The high-wind scone cap is not allowed.**
- Vertical terminations require the high-wind cap (58DVA-VCH).



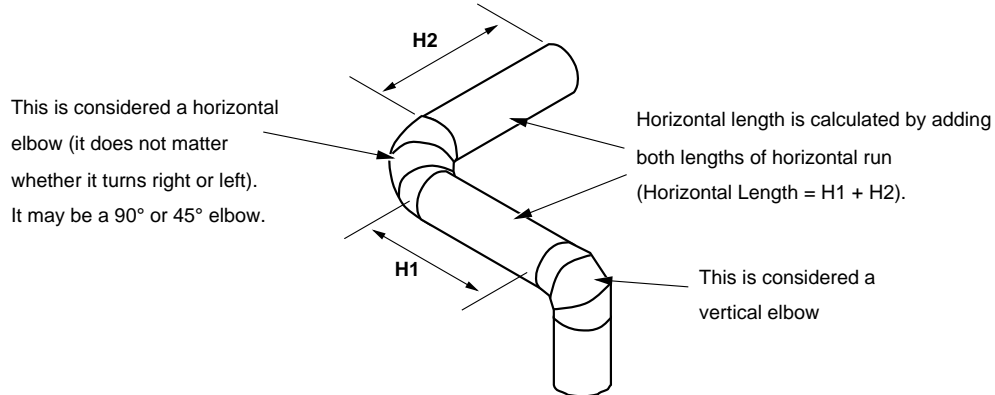
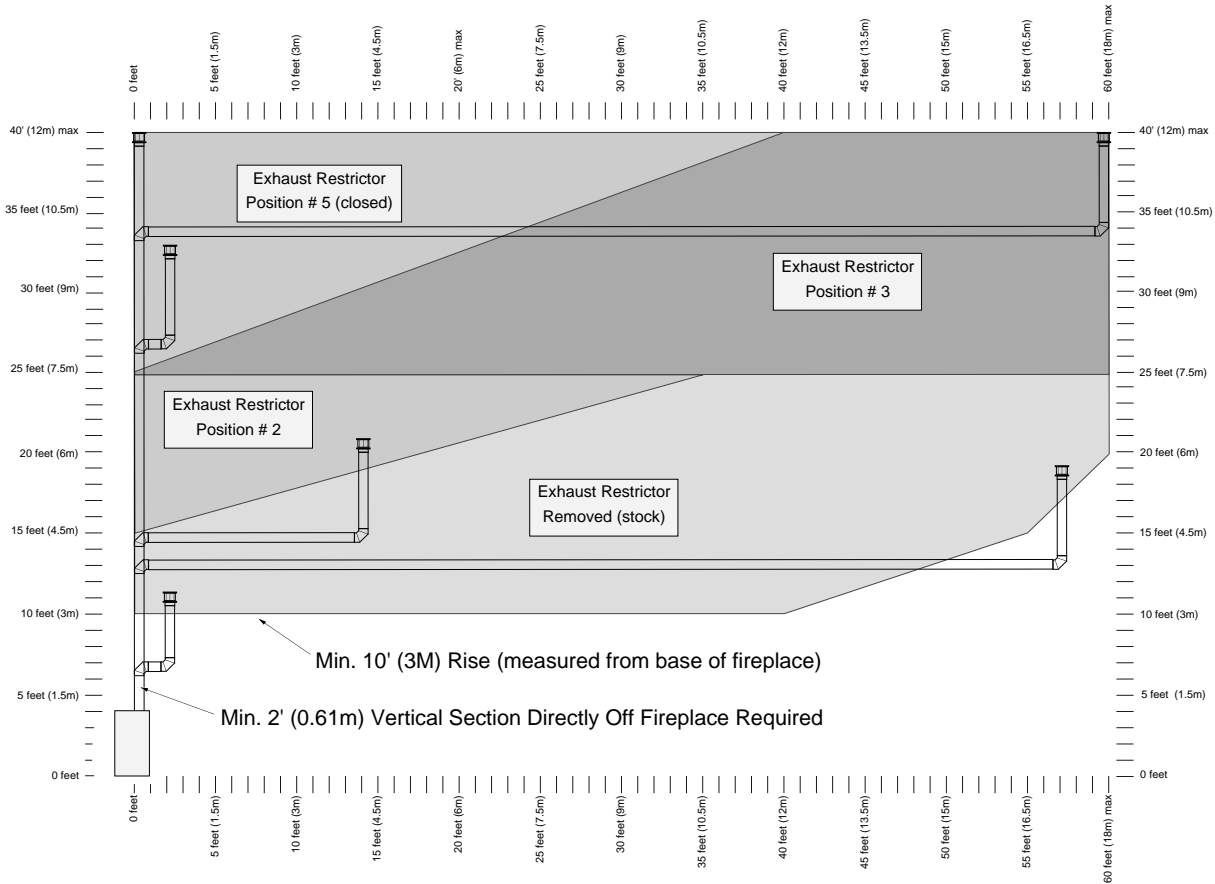
Vent Configuration: Horizontal Terminations using LP

- The termination must fall within the shaded area shown in the chart below.
- A maximum of 3 elbows may be used. Only 1 elbow may be a horizontal elbow (see illustration below).
- Horizontal terminations require the high-wind cap (58DVA-HC), vinyl standoff (58DVA-VSS), and the horizontal termination shield (included with the fireplace). **The high-wind scone cap is not allowed.**
- Vertical terminations require the high-wind cap (58DVA-VCH).



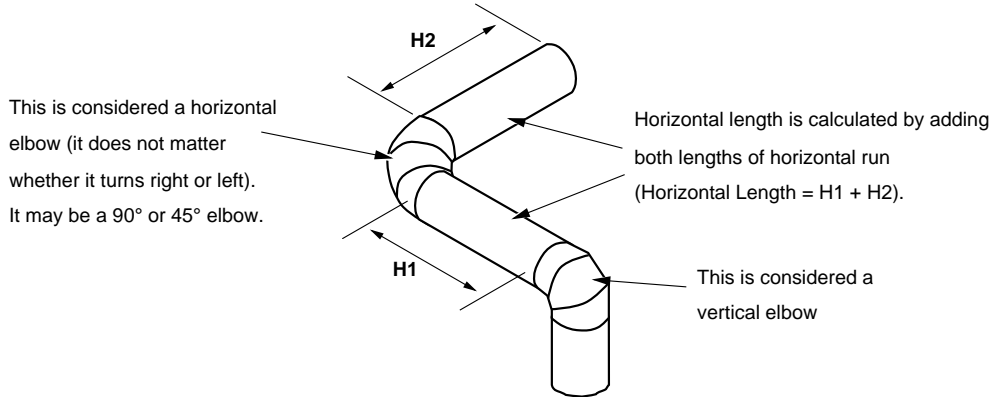
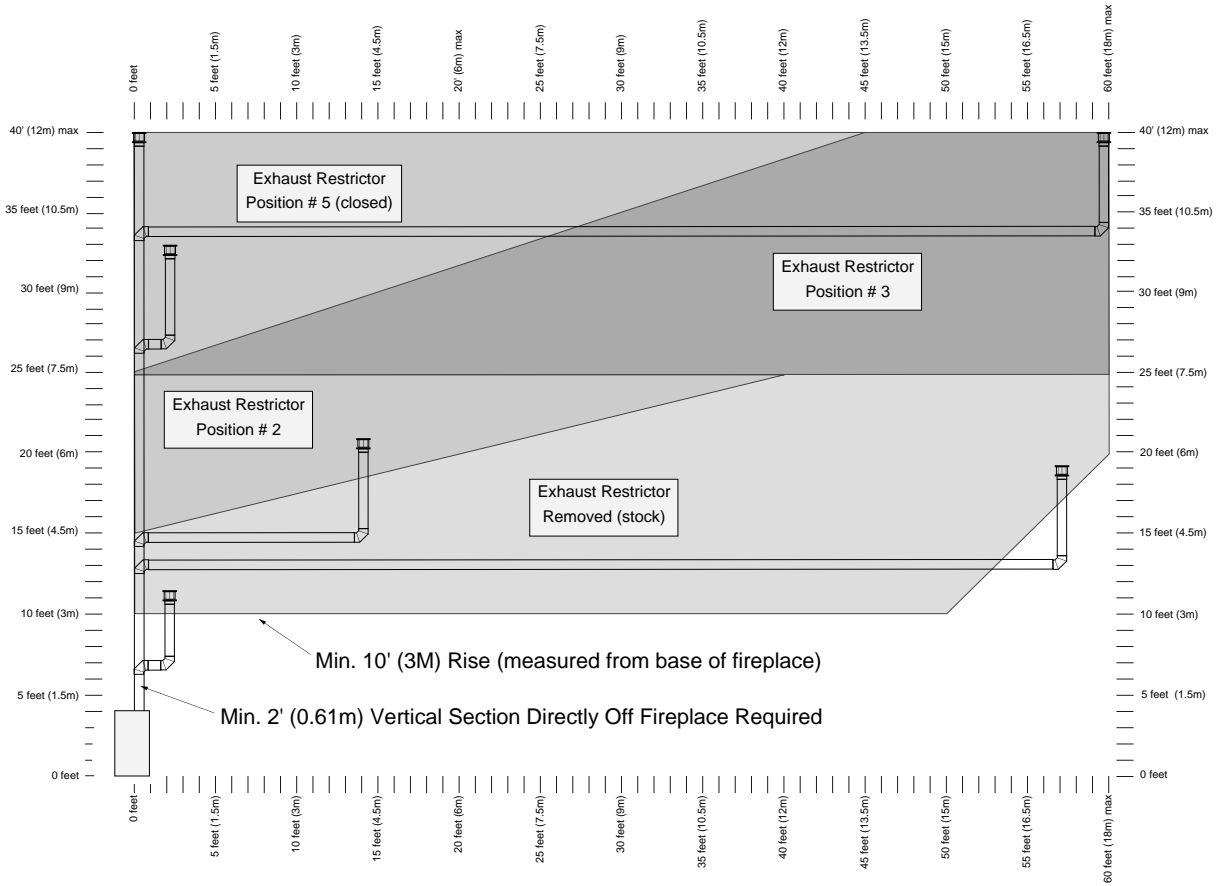
Vent Configuration: Vertical Terminations using NG

- The termination must fall within the shaded area shown in the chart below.
- A maximum of 3 elbows may be used. Only 1 elbow may be a horizontal elbow (see illustration below).



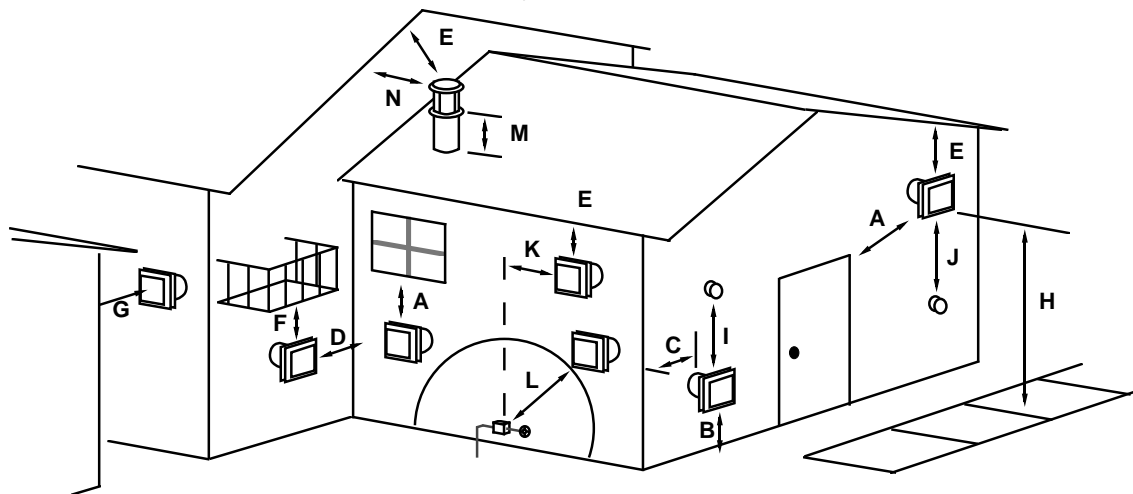
Vent Configuration: Vertical Terminations using LP

- The termination must fall within the shaded area shown in the chart below.
- A maximum of 3 elbows may be used. Only 1 elbow may be a horizontal elbow (see illustration below).



Termination Requirements

- ! **Vertical terminations require the high-wind cap (58DVA-VCH)**
- ! **Horizontal terminations require the high-wind cap (58DVA-HC), vinyl standoff (58DVA-VSS), and the horizontal termination shield (included with the fireplace).**
- ! **Venting terminals shall not be recessed into a wall or siding.**
- A Minimum 12" (305mm) clearance from any door or window that may be opened
- B Minimum 12" (305mm) above any grade, veranda, porch, deck or balcony
- C Minimum 1" (25mm) from outside corner walls
NOTE: Clearance in accordance with local installation codes and the requirements of the gas supplier.
- D Minimum 6" (153mm) from inside corner walls (measure from edge of vinyl standoff)
NOTE: Clearance in accordance with local installation codes and the requirements of the gas supplier.
- E Minimum 12" (305mm) clearance below unventilated soffits or roof surfaces
Minimum 24" (610mm) clearance below ventilated soffits
Minimum 12" (305mm) clearance below roof eaves
NOTE: Vinyl surfaces require 24" (610mm)
NOTE: Clearance in accordance with local installation codes and the requirements of the gas supplier.
- F Minimum 12" (305mm) clearance below a veranda, porch, deck or balcony
NOTE: Permitted only if veranda, porch, deck, or balcony is fully open on a minimum of two sides beneath the floor.
NOTE: Clearance in accordance with local installation codes and the requirements of the gas supplier.
- G Minimum 48" (1219mm) clearance from any adjacent building
- H Minimum 84" (2134mm) clearance above any grade when adjacent to public walkways or driveways
NOTE: may not be used over a walkway or driveway shared by an adjacent building
- I Minimum 12" (305mm) clearance to any nonmechanical air supply inlet to the building or the combustion air inlet to any other appliance.
- J USA = Minimum 36" (914mm) clearance above any mechanical air supply inlet if within 10' (3M) horizontally
CANADA = Minimum 72" (1.83M) clearance from mechanical air supply inlet
- K Minimum 36" (914mm) from the area above the meter/regulator (vent outlet) - this extends 15' (4.5M) above the regulator
NOTE: Clearance in accordance with local installation codes and the requirements of the gas supplier.
- L Minimum 36" (914mm) from the meter/regulator (vent outlet)
NOTE: Clearance in accordance with local installation codes and the requirements of the gas supplier.
- M Minimum 12" (305mm) above the roof line (for vertical terminations)
- N Minimum 24" (610mm) horizontal clearance to any surface (such as an exterior wall) – for vertical terminations



NOTE: Measure clearances to the nearest edge of the exhaust hood.

- Vent termination must not be located where it will become plugged by snow or other material

Hearth Requirements

A hearth is not required for this fireplace. If a hearth is installed, it must not extend above the glass opening (1" 25mm above the base of the fireplace). The hearth may be combustible or non-combustible.

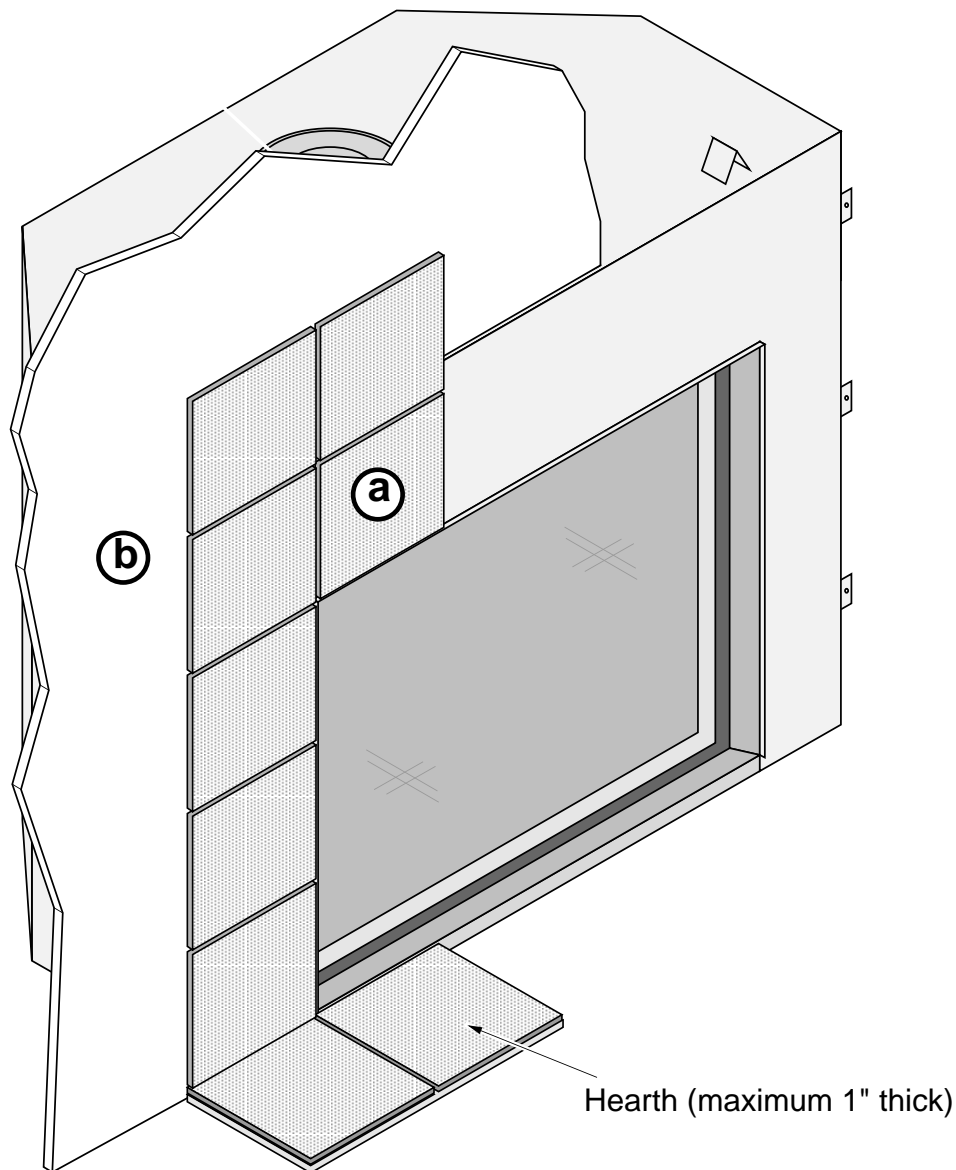
Facing Requirements

- Only non-combustible (tile, stone, cement-board, etc.) may be placed in front of the fireplace (see "a" below).
- Drywall (or other combustibles) may contact the front 0.5" (13mm) of the fireplace along the top and sides (see "b" below). **Do not place drywall in front of the fireplace.**



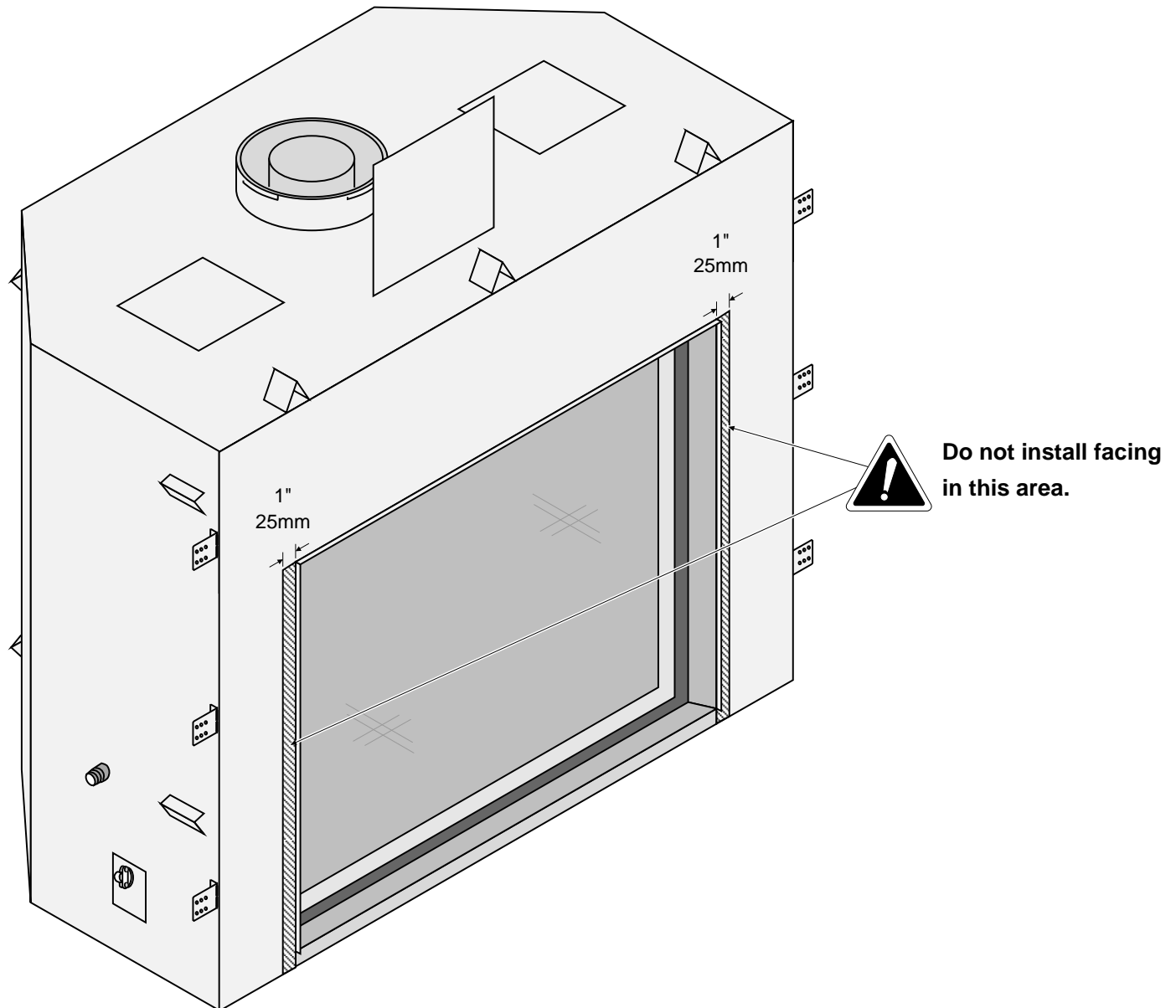
WARNING: Do not use adhesive to secure the facing. The high temperatures of the fireplace may cause adhesives to emit odors. Use mastic or thin set (or other non-combustible, non-odorous adherent) to attach the facing.

NOTE: Screws may be used to secure cement board or tile backer to the fireplace. Do not penetrate the fireplace more than 1/2" (13mm).



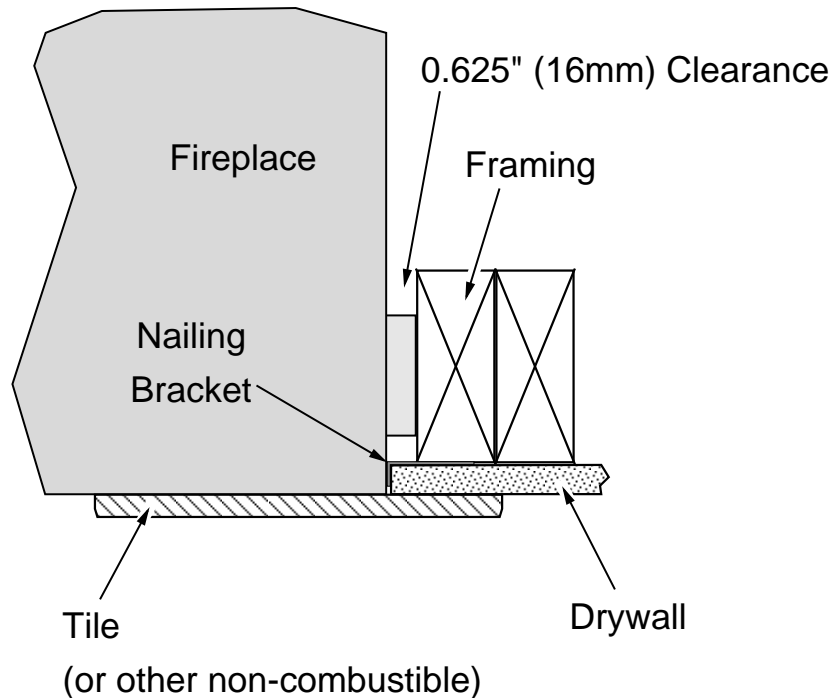
Facing Warning – MetalSmith Face Only

The MetalSmith face requires the non-combustible facing material to be held back one inch from both sides of the fireplace opening (see illustration below). Failure to maintain this space will keep the face from attaching to the appliance. This only applies to the MetalSmith face.

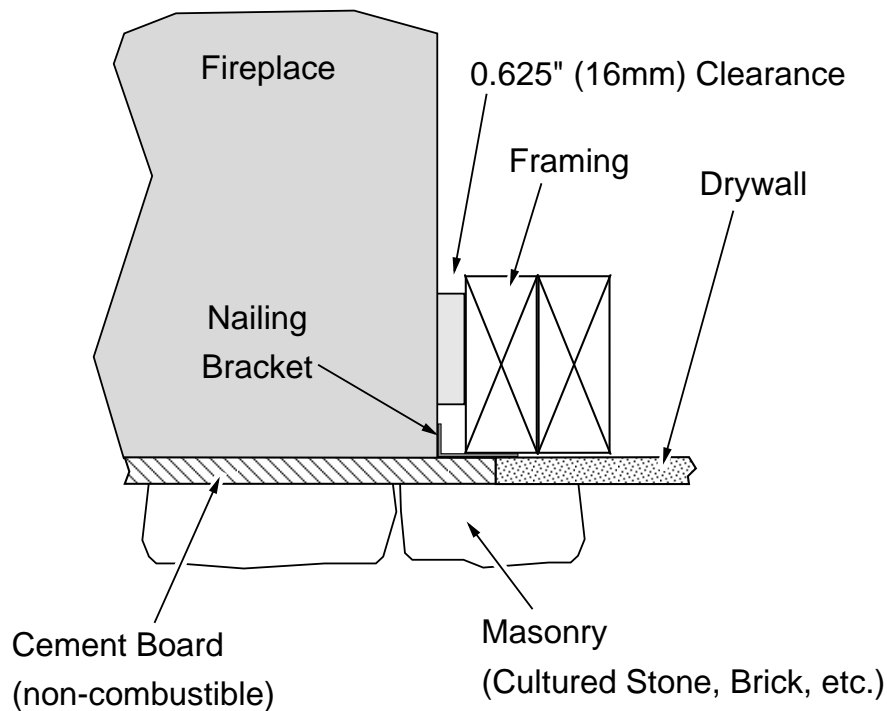


Facing Example – Standard (Tile Over) Install

- This type of installation allows for tile (or other non-combustible) to be placed over the fireplace and surrounding drywall (see illustration below for details).

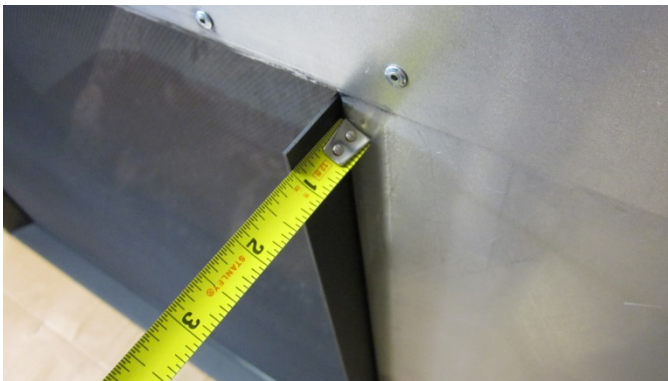
**Facing Example – Flush Install**

- This type of installation allows for the facing underlayment (such as HardieBacker® cement board or other non-combustible) to butt up to the drywall (see "Facing Requirements" for details). Non-combustible facing (cultured stone, brick, etc.) is then placed over the cement board and drywall.



Adjustable Tile Stop

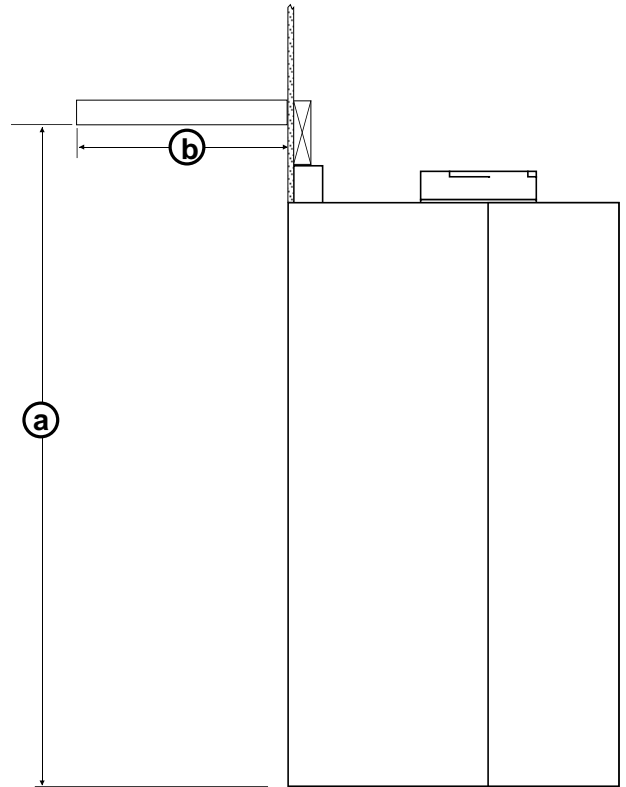
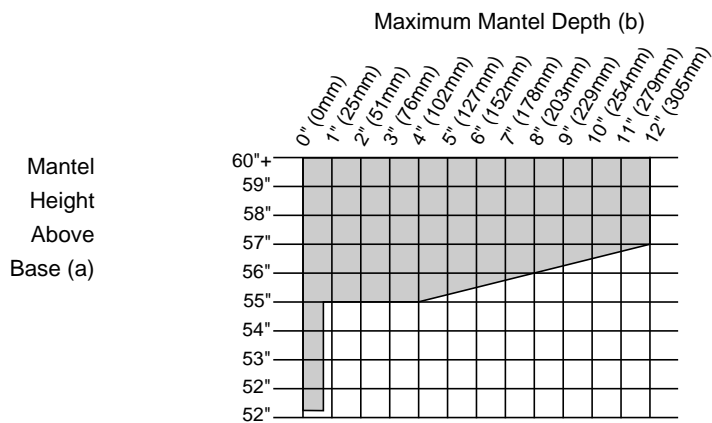
- Adjustable tile stops are included in the screen box. They may be attached to the top and sides of the fireplace opening to form a black edge around the tile opening. Install using the included 18 screws (see photos below). The tile stops may be adjusted from $\frac{1}{2}$ " to 1".



Mantel Requirements

COMBUSTIBLE MANTELS

- Combustible mantels may be installed above the fireplace. Use the table below to determine the minimum height for the mantel being used. The mantel depth (measured from the non-combustible facing) must fall within the shaded portion of the table.
- Any combustible material above the fireplace that protrudes more than 3/4" (19mm) from the non-combustible facing is considered a combustible mantel and must meet the mantel requirements.



NON-COMBUSTIBLE MANTELS

- Non-Combustible mantels may be installed directly above the glass opening on the fireplace. This type of mantel must be made entirely of non-combustible materials.

Steps for Finalizing the Installation

1. Remove the glass frame (see page 36).
2. We recommend you purge the gas line at this time (with the glass frame removed). This allows gas to be detected once it enters the firebox, ensuring gas does not build up.
3. Replace the glass frame.
4. Start the fireplace.
5. Leak test all gas joints.
6. Check the air shutter following the directions below.

Air Shutter Adjustment

There are two burners inside the fireplace. Each burner has its own air shutter.

Air shutters are calibrated at the factory. The only time you need to adjust the air shutter is when converting to LP (see "LP conversion instructions").

NG Air Shutter Settings:

Front = Closed

Rear = 0.1" (3mm) Open

LP Air Shutter Settings:

Front = 0.25" (7mm) Open

Rear = 0.625" (16mm) Open

7. Turn the appliance off and install the log set.
8. Replace the glass frame. Turn the appliance on and verify air shutter adjustment. If adjustment is necessary, you may wish to shut the appliance off and make adjustments.
9. Give this manual to the home owner for future reference and fully explain operation of this fireplace.

Glass Frame Removal and Installation

A barrier designed to reduce the risk of burns from the hot viewing glass is provided with this appliance and shall be installed for the protection of children and other at-risk individuals.



If the barrier becomes damaged, the barrier shall be replaced with the manufacturer's barrier for this appliance.



Do not remove the glass frame with the screen attached – it will not disengage correctly and may damage the screen.



The appliance must be completely cool before removing the glass.



Do not strike or slam the glass.



Warning: Do not operate appliance with the glass front removed, cracked or broken. Replacement of the glass should be done by a licensed or qualified service person.

GLASS FRAME TOOL

The glass frame tool is shipped inside the fireplace, on the right side of the fireplace opening. The first time it is used you may need to loosen the screw (1/4" wrench). The tool is accessed after removing the screen.



NOTE: Replace the tool in this location after use.

- 1 Remove the trim and place aside.



- 2 Remove the screen (it is held in place by the trim).



3. Use the glass tool to unlatch the glass frame. Remove the glass frame. The glass frame is held in place with four tabs inserted into four slots at the bottom of the firebox opening.



Installing the Firebacks

See instructions included with the firebacks.

Grate Installation and Removal

The grate is held in place with two screws. See the photos below.

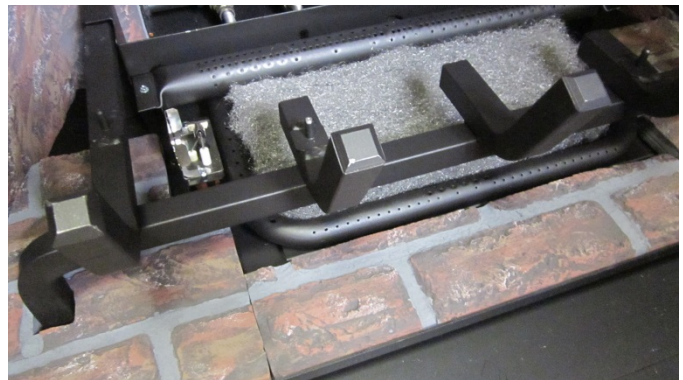


Log Set Installation

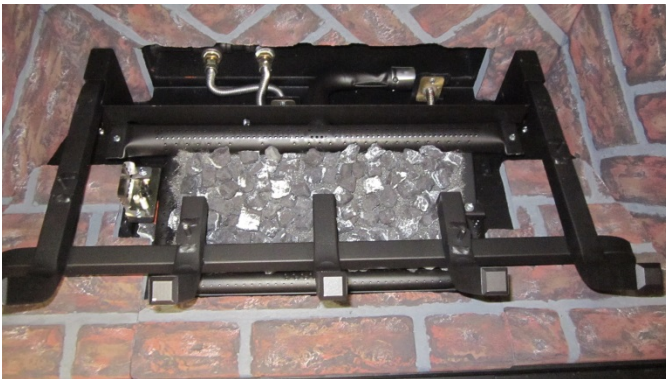
Stretch the stainless steel wool to a thin gauze-like layer.



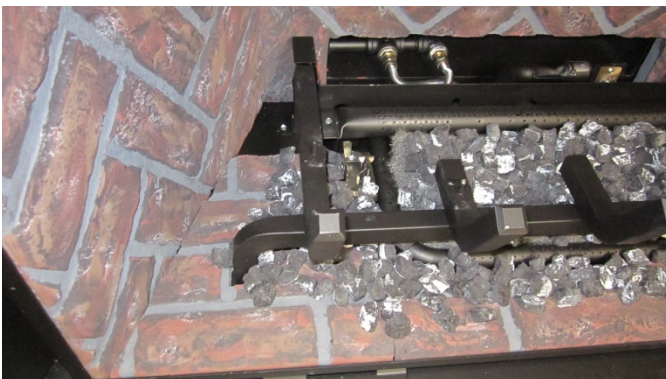
Place the steel wool over the center air channel, between the burners. It should be tucked under the burners.



Place 1 bag of ember chunks over the stainless steel. The chunks should not cover the burner or any of its ports.



Place the remaining ember chunks over the floor of the firebox as shown below. The chunks should not cover the burner or any of its ports.



Tear small chunks of rockwool and place them over the burner as shown below. They should form a loose layer over the burner that allows for air to pass through. **USE THE ENTIRE BAG OF EMBERS.**



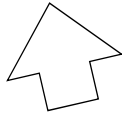
Install the lower rear log as shown below. Make sure the front edge of the log fits behind the center air deflector. F



The front edge of the log fits behind the air deflector (note gap between log and embers/rockwool).



NOTE: The rear lower log may be moved forward or back. Make sure it has a small gap to the embers/rockwool.



LP (Propane) Installations
Make sure the log is pushed all the way back.



NG (Natural Gas) Installations
The log may be moved forward (but not in front of air deflector).

Install the upper rear log as shown below.



Install the right ember as shown below.



Install the front twig as shown below.



Install the left twig as shown below.



Install the left ember as shown below.



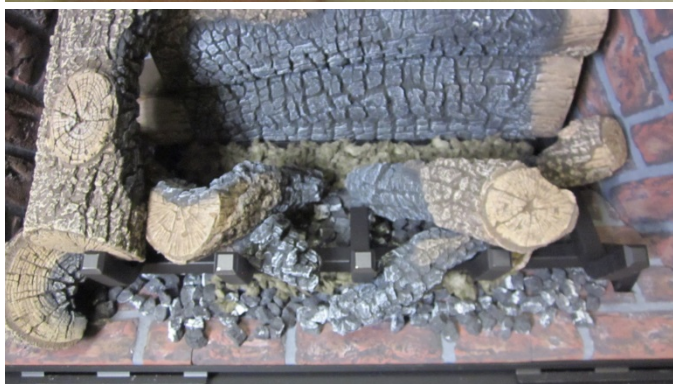
Install the left log as shown below.



Install the center twig as shown below.



Install the right twig as shown below.



Install the right log as shown below.



The log set, when installed should look as shown below.



LP Conversion Instructions**WARNING**

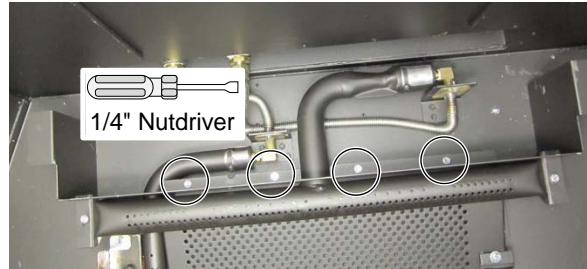
This conversion kit shall be installed by a qualified service agency in accordance with the manufacturer's instructions and all applicable codes and requirements of the authority having jurisdiction. If the information in these instructions is not followed exactly, a fire, explosion or production of carbon monoxide may result causing property damage, personal injury or loss of life. The qualified service agency is responsible for the proper installation of this kit. The installation is not proper and complete until the operation of the converted appliance is checked as specified in the manufacturer's instructions supplied with the kit.

LP Conversion Parts

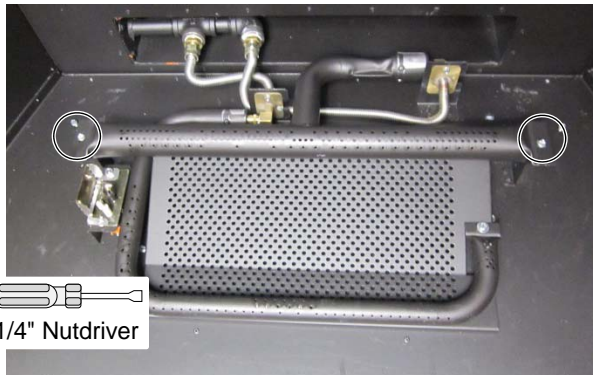
- #49 and #55 Burner Orifices
- Pilot Orifice
- Air Shutter Measurement Tool

The GSR Stepper Motor Kit ((4-pack = 94400999, single = 250-01463)) is required for converting this appliance to LP. The kit contains the stepper motor (regulator) and torx wrench.

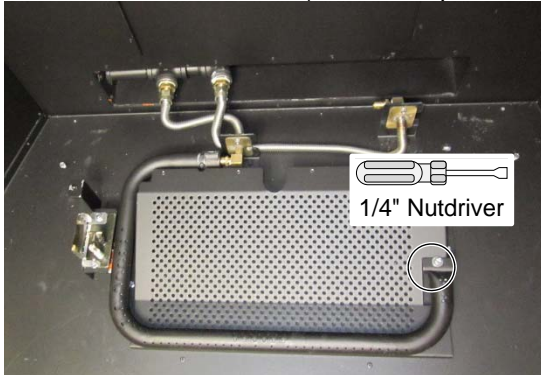
1. Access the firebox.
2. Remove the grate (2 screws hold it in place – see page 2).
3. Remove the rear burner shelf (4 screws hold it in place).



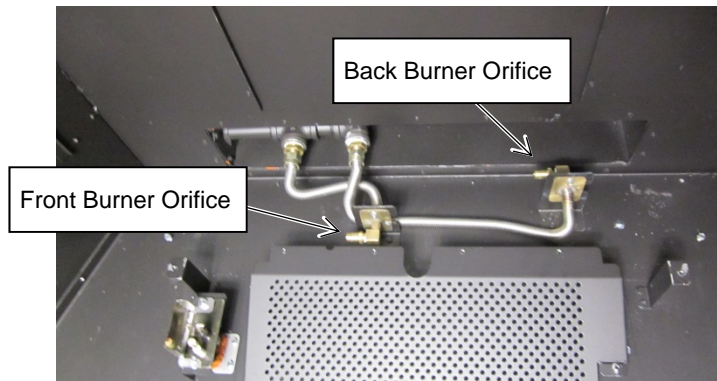
4. Remove the rear burner (2 screws hold it in place).



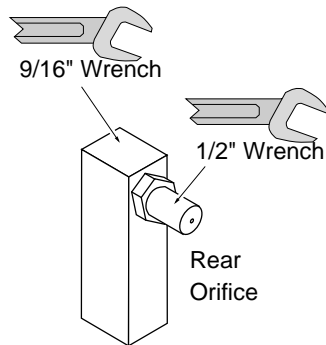
5. Remove the front burner (one screw plus washer hold it in place).



6. Follow the directions below to replace the orifices.



- (a) ... access to the orifices.



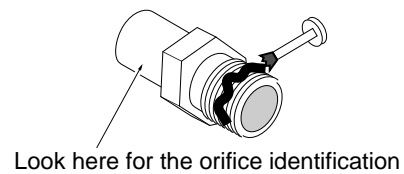
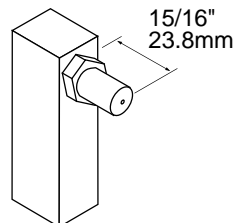
- (b) Use a 9/16" wrench to secure the manifold while removing the orifice with a 1/2" wrench.

(c)

Apply thread sealant to the LP orifice prior to installation. Use the chart below to identify the correct orifices.

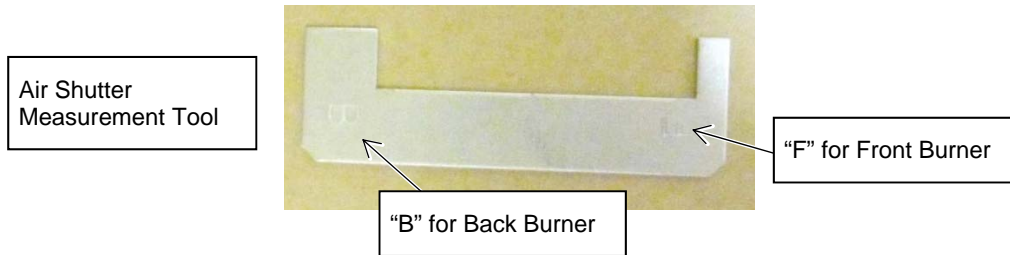
(d)

Screw the LP orifice until orifice protrudes 15/16" (23.8mm) indicating full insertion (use wrench to secure manifold when re-attaching orifice).



NG	• Front: #45
	• Rear: #30
LP	• Front: #55
	• Rear: #49

7. Replace the burners. Included with the fireplace is an air shutter measurement tool (see picture below). One side is 0.625" (16mm) and is stamped "B" for back burner. The other side is 0.25" (7mm) and is stamped "F" for front burner.



Loosen the air shutter screws (phillips screwdriver), slide the air shutter open, then insert the air shutter measurement tool into the air shutter opening (see pictures below). Set the air shutters by sliding them shut over the measurement tool. Tighten the air shutter screw to lock the air shutter into position.

Back Air Shutter

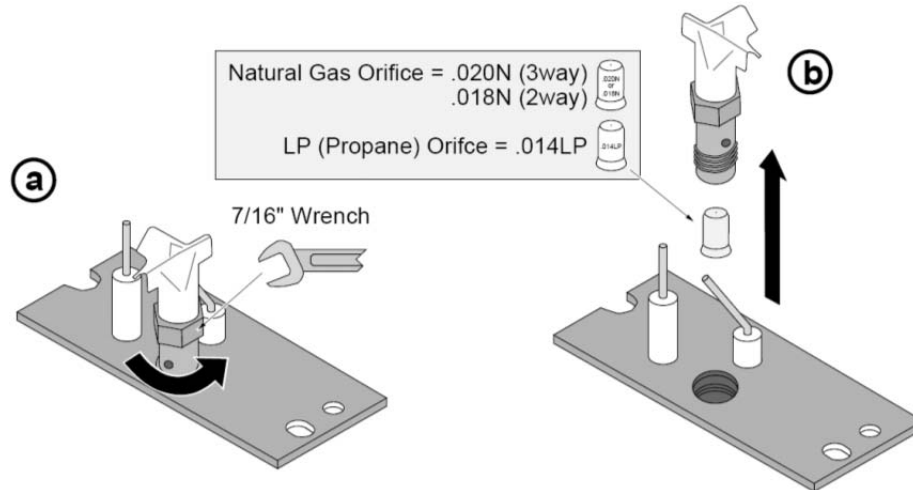


Front Air Shutter



8. Replace the rear log shelf.

9. Install the LP pilot orifice following the instructions below.
 - (a) Use a 7/16" open-end wrench to remove the pilot hood.
 - (b) Remove and discard the Natural Gas (NG) orifice. Place the LP orifice in the pilot assembly then replace the pilot hood, tightening the pilot hood until it is snug (do not over-tighten).



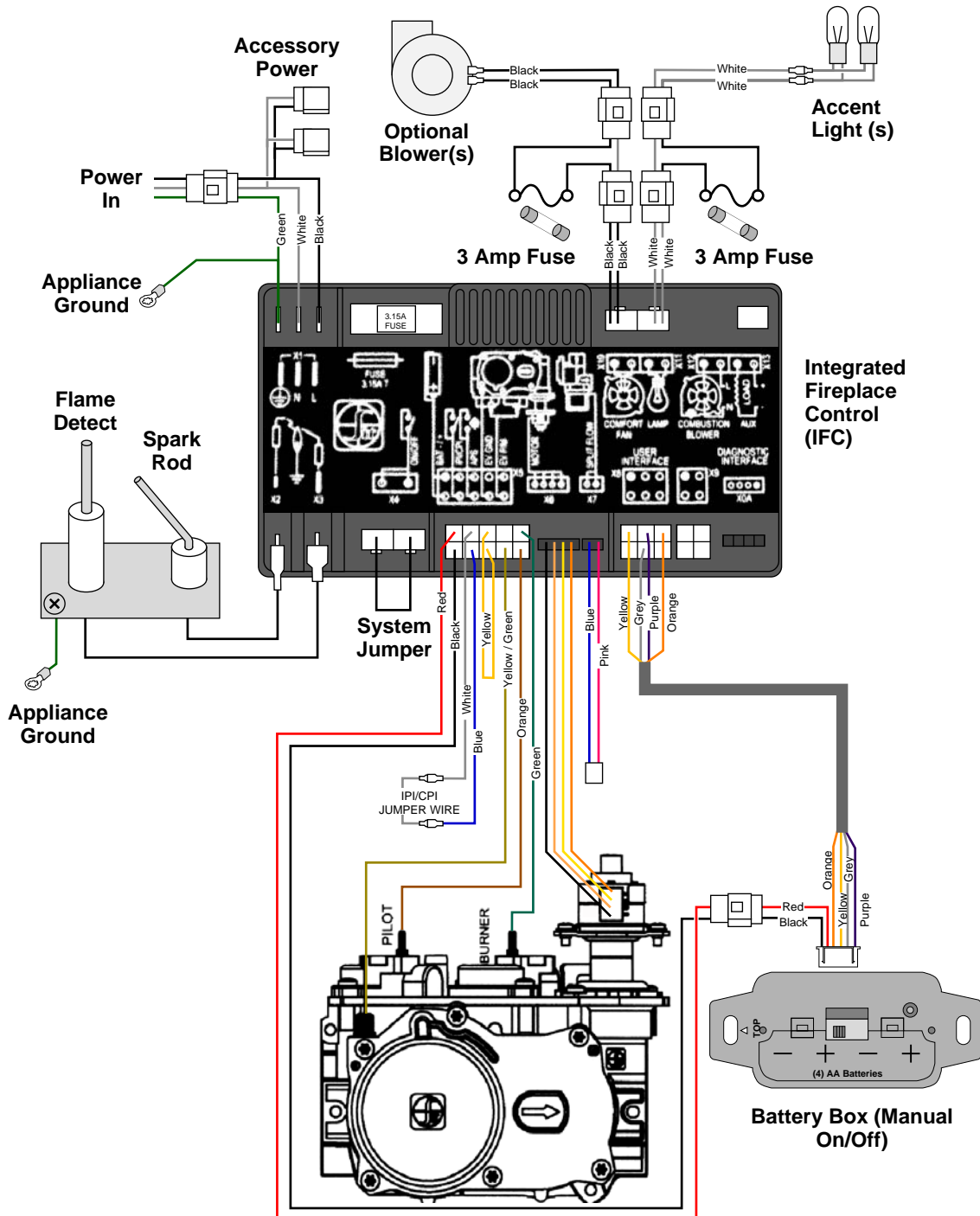
10. The stepper motor (adjustable regulator) has an installation sheet included with it – make sure to follow all of the directions. Place the stepper motor on the gas control valve (see below) – **MAKE SURE IT IS CORRECTLY ORIENTED.** Secure using the screws included with the motor – tighten to 25 Lb-inches. Leak test this area after installation to verify proper installation.



11. Return the firebox to the correct configuration.
12. Replace the glass.
13. Make the gas line connection, bleed the gas line (if applicable), start the heater and thoroughly leak-test all gas connections and the gas control valve.

Wiring Diagram

Caution: Label all wires prior to disconnection when servicing controls. Wiring errors can cause improper and dangerous operation. Verify proper operation after servicing.



Tile Stop	31
Air Shutter Adjustment.....	33
Altitude Considerations.....	21
Approved Vent Terminations	21
Approved Vent.....	21
Clearances	10
Corner Installations.....	16
Dimensions.....	6
Directions for Connecting a Gas Pressure Test Gauge.....	19
Electrical Connection	20
Exhaust Restrictor	23
Facing Example – Flush Install.....	30
Facing Example – Standard (Tile Over) Install	30
Facing Requirements	29
Fireplace Placement Requirements.....	10
Fireplace Unboxing and Moving Into Position	8
Fuel	18
Gas Inlet Pressure.....	18
Gas Line Connection	18
Gas Line Location.....	18
Gas Line Requirements.....	18
Glass Frame Removal and Installation.....	34
Hearth Requirements	29
Heating Specifications	6
Horizontal Penetrations Require Thimble	21
Horizontal Terminations Require Vinyl Standoff and Termination Shield	22
Installation Options	6
Installing the Firebacks.....	37
Listing Details	2
Mantel Requirements	32
MANUFACTURER REQUIREMENTS.....	9
Massachusetts Requirements	9
Minimum Enclosure Height (see illustration below)	13
Minimum Framing Dimensions	11
Nailing Brackets – Extended Install	15
Nailing Brackets – Flush Install.....	14
Outdoor fireplace installations	17
Overview	2
Packing List	7
Raised Fireplaces.....	10
Recommended Installation Procedure.....	7
Requirements for the Commonwealth of Massachusetts	9
Steps for Finalizing the Installation.....	33
Termination Requirements	28
Vent Clearances	21
Vent Configuration: Horizontal Terminations using LP	25
Vent Configuration: Horizontal Terminations using NG	24
Vent Configuration: Vertical Terminations using LP	27
Vent Configuration: Vertical Terminations using NG	26
Vent Installation	21
Vent Requirements.....	21
Vertical Penetrations Require Vent Firestop.....	21
Vertical Pipe Shield	22